

Waterproof DC FAN



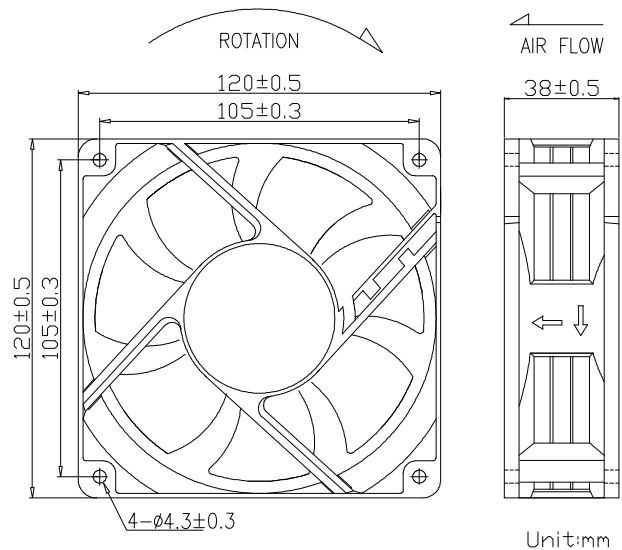
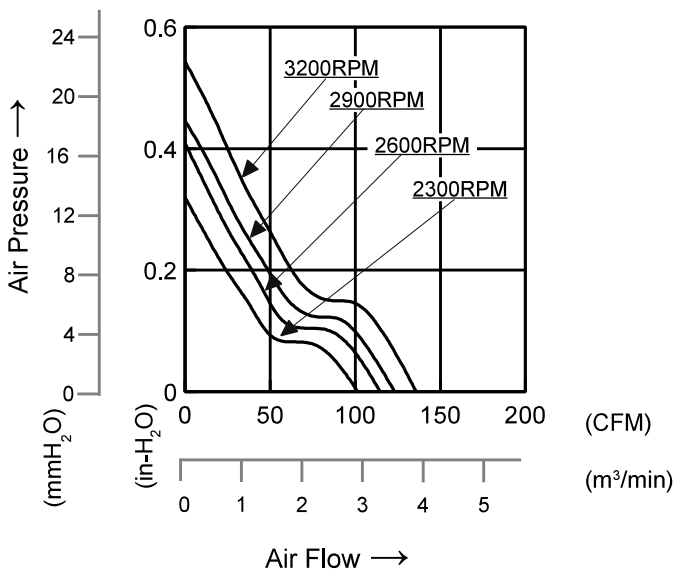
120x120x38mm

- MOTOR : DC single phase brushless motor
- FRAME : PBT (94V-0) ; IMPELLER : PBT(94V-0)
- IP RATING : IP68
- OPERATING TEMP.: -10°C~70°C
- STORAGE TEMP.: -40°C~70°C
- WEIGHT : 260g



JARO Part Number	*Bearing System B / F	Rated Voltage V	Rated Current A	Rated Speed RPM	Maximum Air Flow		Maximum Static Pressure		Sound Level dBA
					m ³ /min	CFM	mm-H ₂ O	In-H ₂ O	
JCD1203812MB1A0E(Q68)	B	12	0.18	2300	2.87	101.4	8.13	0.32	38
JCD1203812HB1A0E(Q68)	B	12	0.40	2600	3.25	114.7	10.41	0.41	41
JCD1203812UB1A0E(Q68)	B	12	0.75	2900	3.49	123.2	11.43	0.45	44
JCD1203812VB1A0E(Q68)	B	12	0.80	3200	3.85	135.9	13.72	0.54	48
JCD1203824LB1A0E(Q68)	B	24	0.14	2300	2.87	101.4	8.13	0.32	38
JCD1203824MB1A0E(Q68)	B	24	0.30	2600	3.25	114.7	10.41	0.41	41
JCD1203824HB1A0E(Q68)	B	24	0.48	2900	3.49	123.2	11.43	0.45	44
JCD1203824UB1A0E(Q68)	B	24	0.62	3200	3.85	135.9	13.72	0.54	48
JCD1203848B1A0E(Q68)	B	48	0.10	2300	2.87	101.4	8.13	0.32	38
JCD1203848JB1A0E(Q68)	B	48	0.14	2600	3.25	114.7	10.41	0.41	41
JCD1203848LB1A0E(Q68)	B	48	0.25	2900	3.49	123.2	11.43	0.45	44
JCD1203848MB1A0E(Q68)	B	48	0.30	3200	3.85	135.9	13.72	0.54	48

*Bearing system B: two ball bearing



*All models can be customized. Please contact your JARO representative for further information.

*Specs are subject to change without notice. Please visit JARO website at <https://jarothermal.com> for update information.