

# Waterproof DC FAN



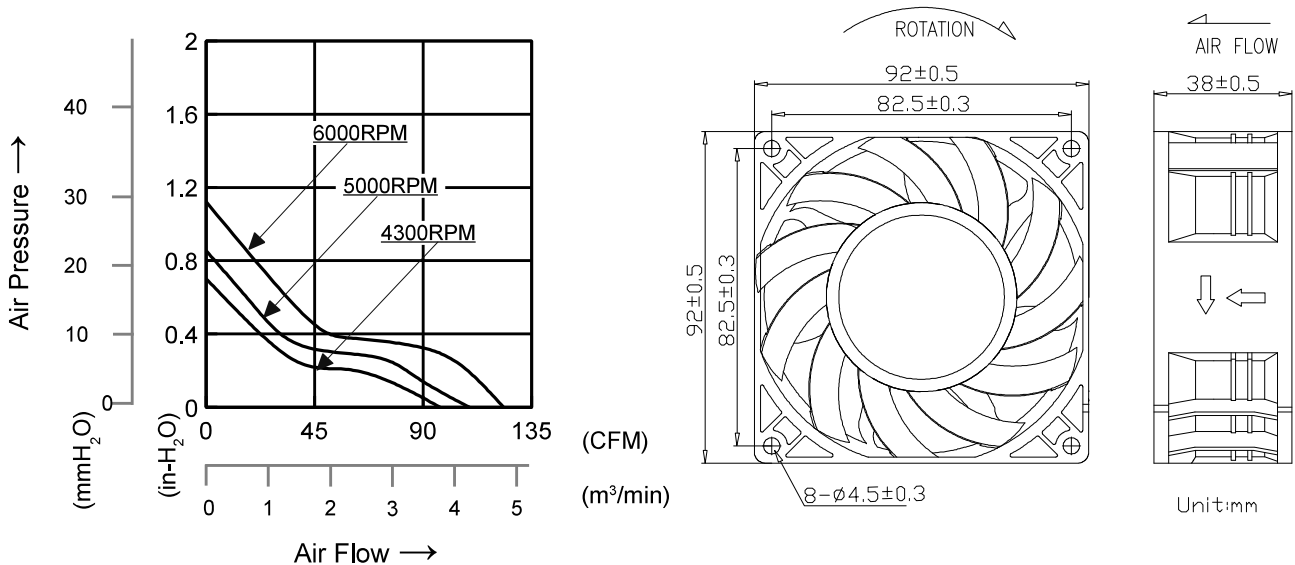
## 92x92x38mm

- MOTOR : DC single phase brushless motor
- FRAME : PBT (94V-0) ; IMPELLER : PBT(94V-0)
- IP RATING : IP68
- OPERATING TEMP.: -10°C~70°C
- STORAGE TEMP.: -40°C~70°C
- WEIGHT : 200g



JARO	*Bearing System	Rated Voltage	Rated Current	Rated Speed	Maximum Air Flow		Maximum Static Pressure		Sound Level
	B / F	V	A	RPM	m <sup>3</sup> /min	CFM	mm-H <sub>2</sub> O	In-H <sub>2</sub> O	dBA
JCD0923812LB1A0B(Q68)	B	12	0.50	4300	2.75	97.1	17.8	0.70	52
JCD0923812MB1A0B(Q68)	B	12	0.90	5000	3.09	109.2	21.8	0.86	58
JCD0923812HB1A0B(Q68)	B	12	1.20	6000	3.50	123.4	28.4	1.12	64
JCD0923824LB1A0B(Q68)	B	24	0.35	4300	2.75	97.1	17.8	0.70	52
JCD0923824MB1A0B(Q68)	B	24	0.45	5000	3.09	109.2	21.8	0.86	58
JCD0923824HB1A0B(Q68)	B	24	0.76	6000	3.50	123.4	28.4	1.12	64
JCD0923848LB1A0B(Q68)	B	48	0.24	4300	2.75	97.1	17.8	0.70	52
JCD0923848MB1A0B(Q68)	B	48	0.28	5000	3.09	109.2	21.8	0.86	58
JCD0923848HB1A0B(Q68)	B	48	0.41	6000	3.50	123.4	28.4	1.12	64

\*Bearing system B: two ball bearing



\*All models can be customized. Please contact your JARO representative for further information.

\*Specs are subject to change without notice. Please visit JARO website at <https://jarothermal.com> for update information.