

SUPER BOOST AC FAN

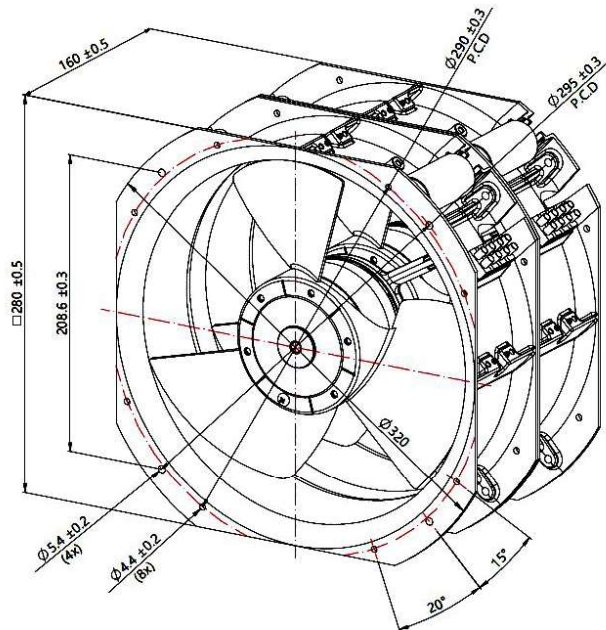
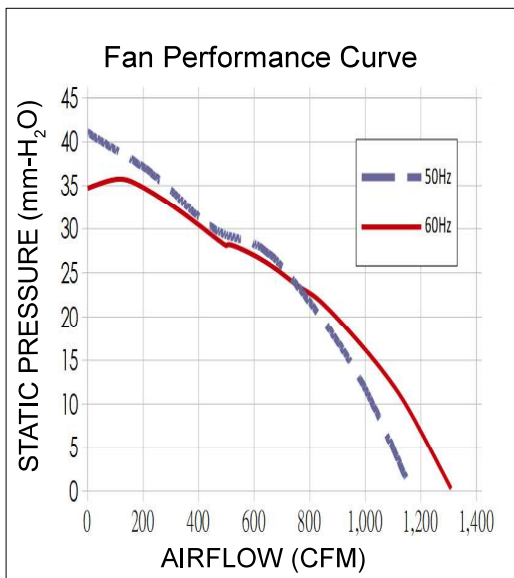


Ø280 x 160 mm

- MOTOR : AC INDUCTION CAPACITOR MOTOR
- FRAME : Aluminum Die Casting ;
IMPELLER : Steel
- IP RATING : IP54
- OPERATING TEMP.: -20°C~70°C
- STORAGE TEMP.: -40°C~80°C
- INSULATION : Class F
- CONNECTION : Terminal Block
- WEIGHT : 6300g



JARO	Bearing System	Rated Voltage VAC	Frequency (Hz)	Rated Power W	Rated Speed (RPM)	Maximum Air Flow		Maximum Static Pressure		Sound Level
						m ³ /min	CFM	mm-H ₂ O	In-H ₂ O	dBA
Part Number										
JTA280G0-22HBKS(S)	BALL	230	50/60	210/310	2800/3100	32.969/37.073	1165 / 1310	39.5 / 33.5	1.555/1.318	70 / 72



*All models can be customized. Please contact your JARO representative for further information.

*Specs are subject to change without notice. Please visit JARO website at <https://jarothermal.com> for update information.