

# SUPER BOOST AC FAN

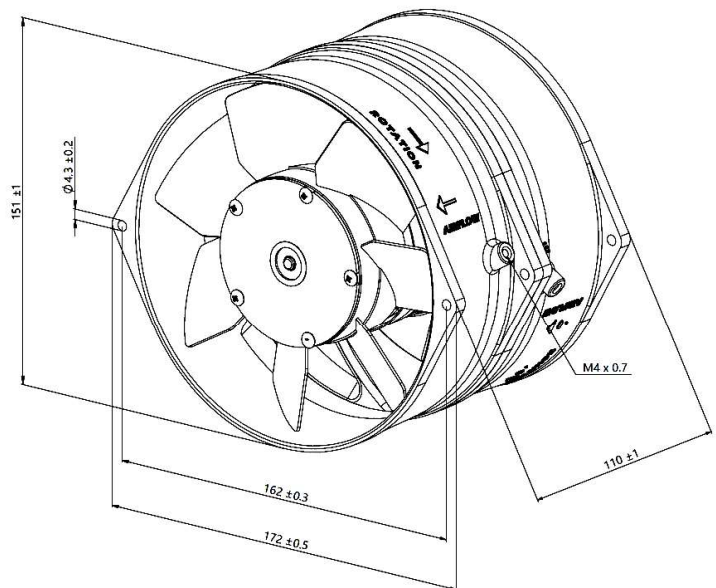
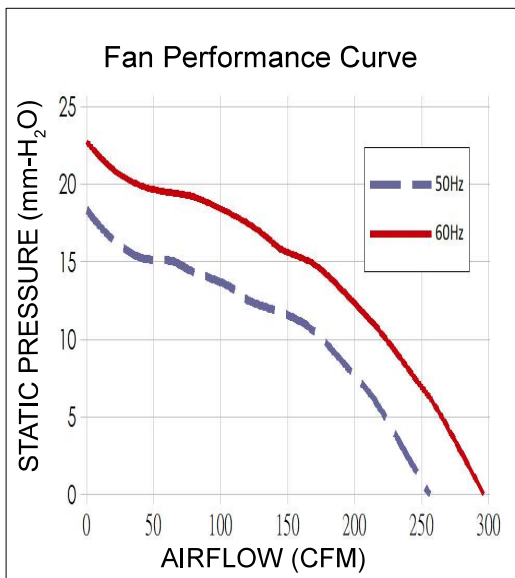


**172 x 151 x 110 mm**

- MOTOR : AC INDUCTION CAPACITOR MOTOR
- FRAME : Aluminum Die Casting ;  
IMPELLER : Steel
- IP RATING : IP54
- OPERATING TEMP.: -20°C~70°C
- STORAGE TEMP.: -40°C~80°C
- INSULATION : Class F
- CONNECTION : Lead wires
- WEIGHT : 2000g



JARO	Bearing System	Rated Voltage VAC	Frequency (Hz)	Rated Power W	Rated Speed (RPM)	Maximum Air Flow		Maximum Static Pressure		Sound Level
						m <sup>3</sup> /min	CFM	mm-H <sub>2</sub> O	In-H <sub>2</sub> O	dBA
Part Number										
JTA151B0-22HBL(S)	BALL	230	50/60	50/57	2800/3200	7.358/8.433	260 / 298	18 / 22	0.708/0.866	60 / 63



\*All models can be customized. Please contact your JARO representative for further information.

\*Specs are subject to change without notice. Please visit JARO website at <https://jarothermal.com> for update information.