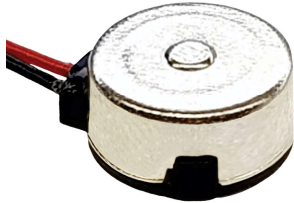


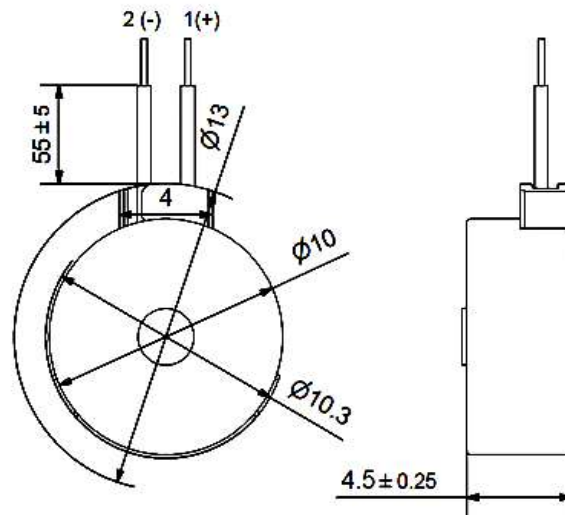
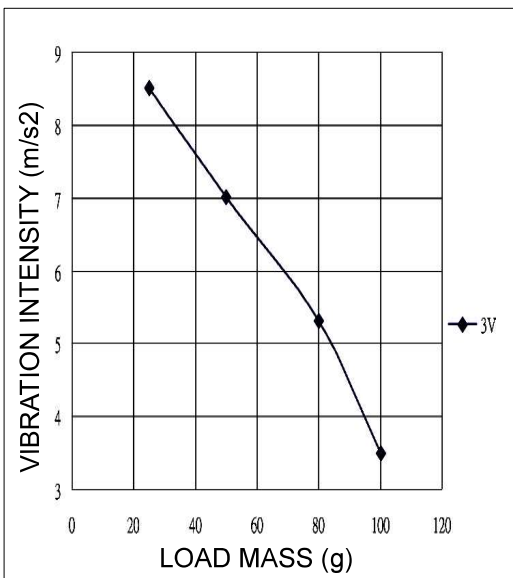
# MINI VIBRATION MOTOR

**Φ10.3x4.5mm**



- MOTOR : Brushless Vibration Motor
- IP RATING : IP58
- OPERATING TEMP.: -20°C~70°C
- WEIGHT : 1.13g

JARO	Rated Voltage	Rated Current	Rated Speed	Maximum Vibration Intensity	Maximum Load Mass
Part Number	V	A	RPM	m/s2	g
JRV1004-3	3.0	0.07	16500	3.5~8.5	25~100



NOTE :  
 WIRE:UL1571 AWG#30  
 LINE1:RED WIRE----- (+)  
 LINE2:BLACK WIRE---- (-)

\*All models can be customized. Please contact your JARO representative for further information.

\*Specs are subject to change without notice. Please visit JARO website at <https://jarothermal.com> for update information.