

MINI FAN

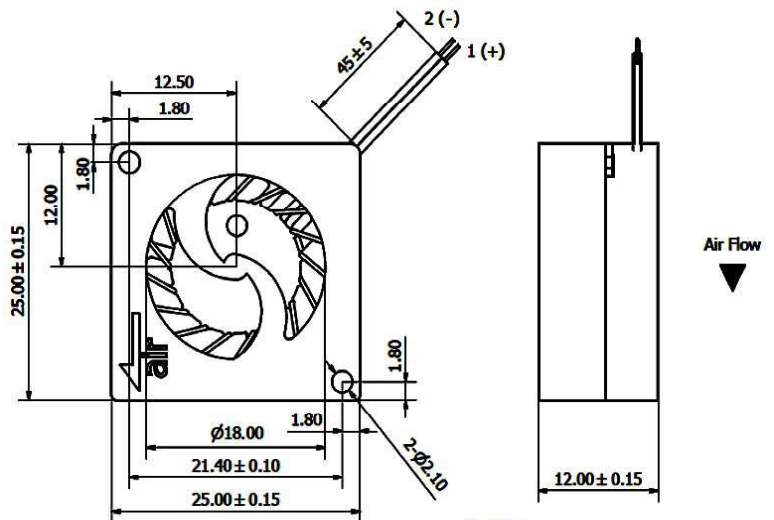
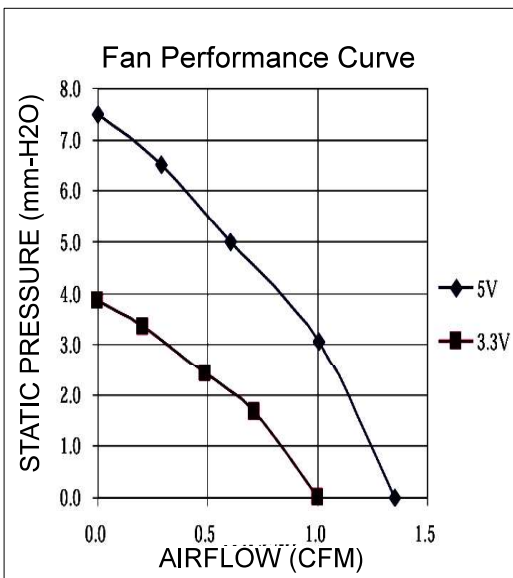


25x25x12mm

- MOTOR : DC single phase brushless motor
- FRAME : Plastic(UL 94V-0) ;
IMPELLER : Plastic(UL 94V-0);
COVER : Plastic(UL 94V-0)
- IP RATING : IP58
- OPERATING TEMP.: -10°C~60°C
- STORAGE TEMP.: -20°C~70°C
- WEIGHT : 5.39g



JARO Part Number	Bearing System	Rated Voltage V	Rated Current A	Rated Speed RPM	Maximum Air Flow		Maximum Static Pressure		Sound Level dBA
					m ³ /h	CFM	mm-H ₂ O	In-H ₂ O	
JRB2512-5	SLEEVE	3.3	0.058	7000	0.028	1.00	3.85	0.151	18.6
	SLEEVE	5.0	0.087	9500	0.038	1.35	7.49	0.294	27.0



NOTE
 WIRE:UL1571 AWG#30
 LINE1:RED WIRE----- (+)
 LINE2:BLACK WIRE---- (-)

*All models can be customized. Please contact your JARO representative for further information.
 *Specs are subject to change without notice. Please visit JARO website at <https://jarothermal.com> for update information.