

MINI FAN

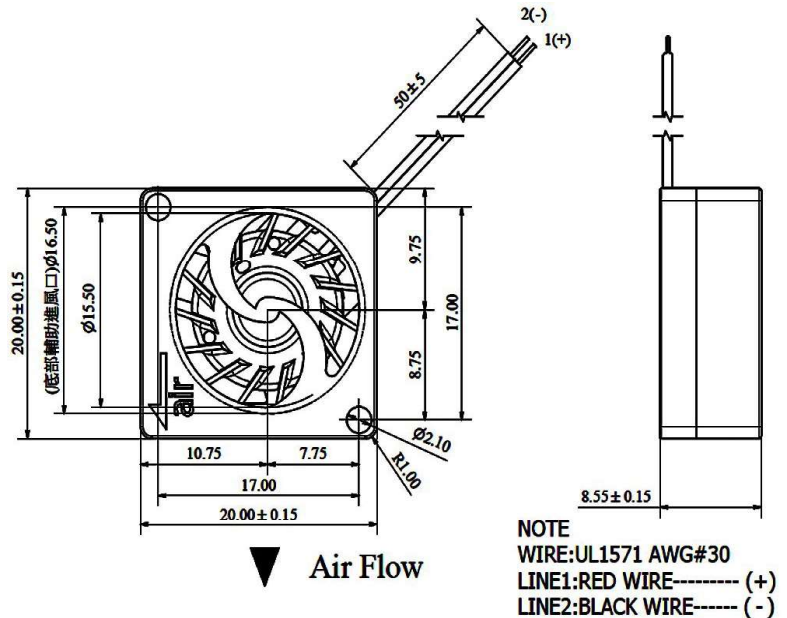
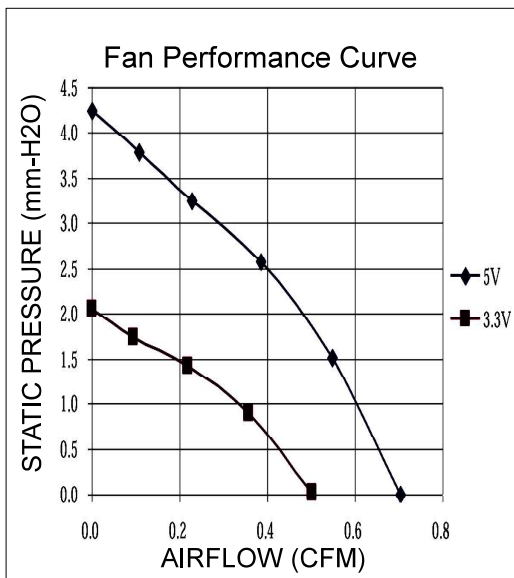
20x20x8.5mm



- MOTOR : DC single phase brushless motor
- FRAME : Plastic(UL 94V-0) ;
IMPELLER : Plastic(UL 94V-0);
COVER : Plastic(UL 94V-0)
- IP RATING : IP58
- OPERATING TEMP.: -10°C~60°C
- STORAGE TEMP.: -20°C~70°C
- WEIGHT : 2.9g



JARO Part Number	Bearing System	Rated Voltage V	Rated Current A	Rated Speed RPM	Maximum Air Flow		Maximum Static Pressure		Sound Level dBA
					m ³ /h	CFM	mm-H ₂ O	In-H ₂ O	
JRB2008NL-5	SLEEVE	3.3	0.045	8000	0.014	0.50	2.05	0.080	16.0
	SLEEVE	5.0	0.070	11000	0.019	0.70	4.24	0.166	24.0



*All models can be customized. Please contact your JARO representative for further information.

*Specs are subject to change without notice. Please visit JARO website at <https://jarothermal.com> for update information.