

# MINI FAN

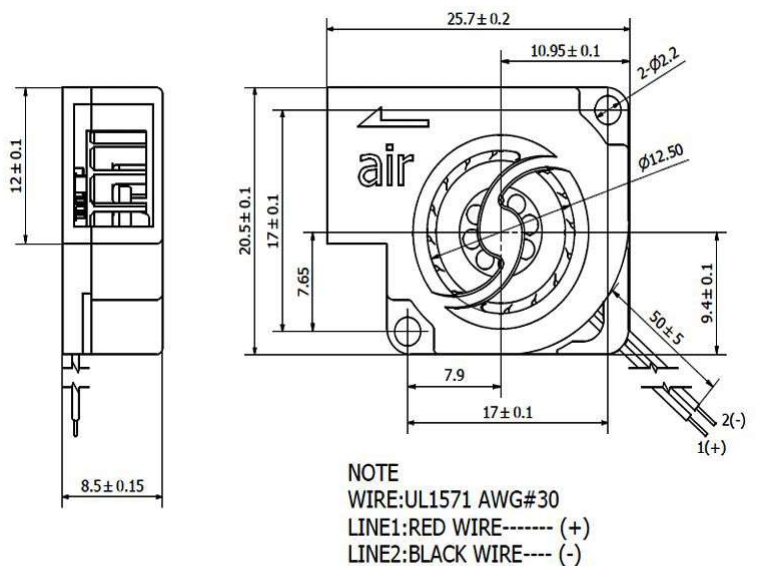
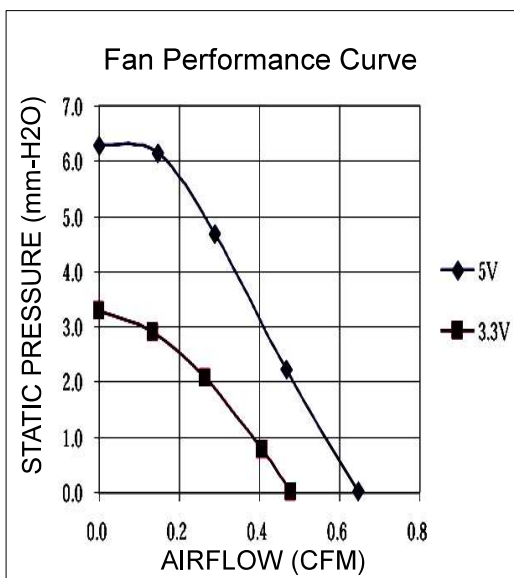


## 20.5x25.7x8.5mm

- MOTOR : DC single phase brushless motor
- FRAME : Plastic(UL 94V-0) ;  
IMPELLER : Plastic(UL 94V-0);  
COVER : Plastic(UL 94V-0)
- IP RATING : IP58
- OPERATING TEMP.: -10°C~60°C
- STORAGE TEMP.: -20°C~70°C
- WEIGHT : 3.0g



JARO Part Number	Bearing System	Rated Voltage V	Rated Current A	Rated Speed RPM	Maximum Air Flow		Maximum Static Pressure		Sound Level dBA
					m <sup>3</sup> /h	CFM	mm-H <sub>2</sub> O	In-H <sub>2</sub> O	
JRB2008H-5	SLEEVE	3.3	0.098	8000	0.013	0.48	3.29	0.129	18.2
	SLEEVE	5.0	0.140	11000	0.018	0.65	6.27	0.246	20.8



\*All models can be customized. Please contact your JARO representative for further information.

\*Specs are subject to change without notice. Please visit JARO website at <https://jarothermal.com> for update information.