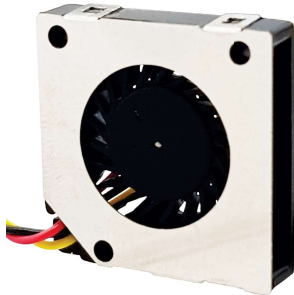


MINI FAN

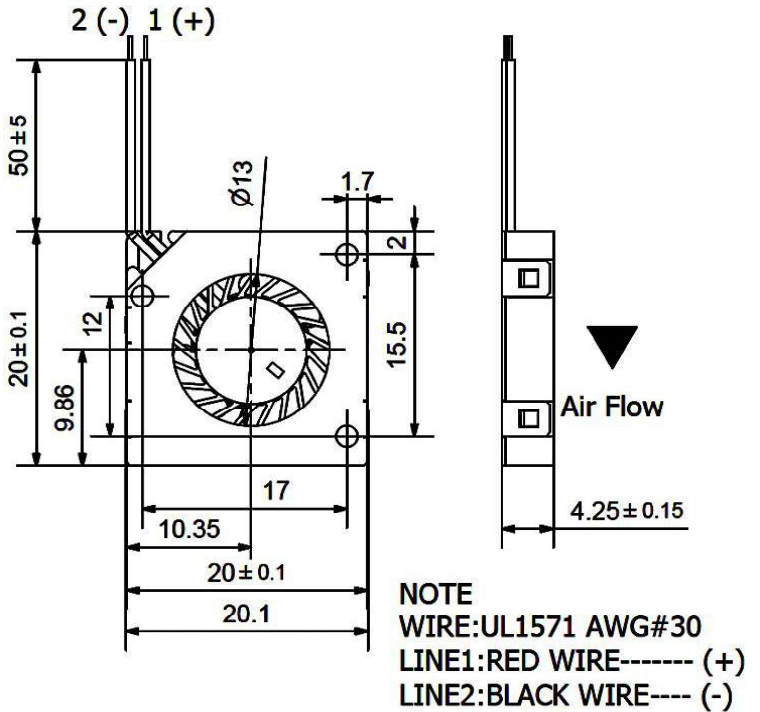
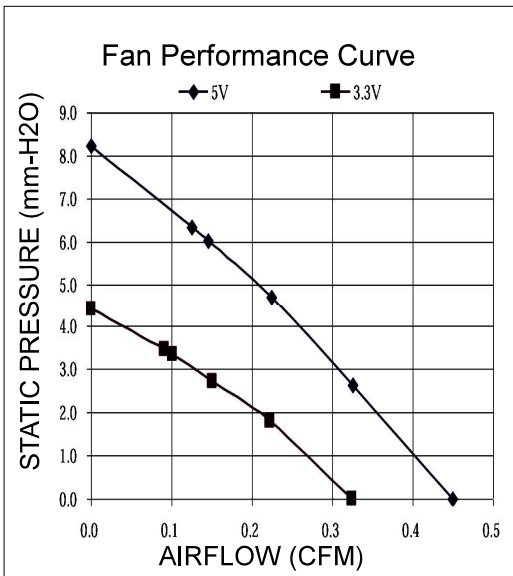


20.1x20x4.25mm

- MOTOR : DC single phase brushless motor
- FRAME : Plastic(UL 94V-0) ;
IMPELLER : Plastic(UL 94V-0);
COVER : Metal
- IP RATING : IP58
- OPERATING TEMP.: -10°C~60°C
- STORAGE TEMP.: -20°C~70°C
- WEIGHT : 2.1g



JARO Part Number	Bearing System	Rated Voltage V	Rated Current A	Rated Speed RPM	Maximum Air Flow		Maximum Static Pressure		Sound Level dBA
					m ³ /h	CFM	mm-H ₂ O	In-H ₂ O	
JRB2004-5	SLEEVE	3.3	0.037	10000	0.009	0.32	4.43	0.174	17.5
	SLEEVE	5.0	0.057	13000	0.012	0.45	8.23	0.324	21.5



*All models can be customized. Please contact your JARO representative for further information.

*Specs are subject to change without notice. Please visit JARO website at <https://jarothermal.com> for update information.