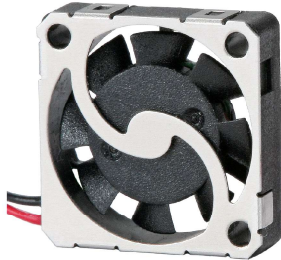


MINI FAN

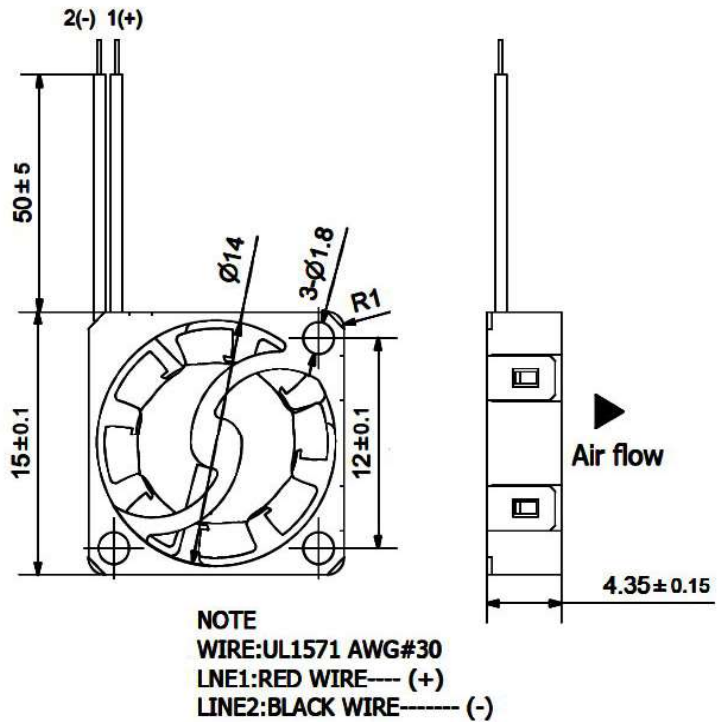
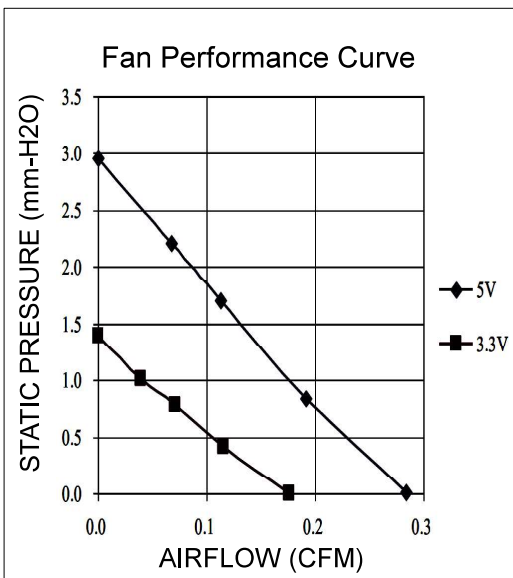
15x15x4.35mm



- MOTOR : DC single phase brushless motor
- FRAME : Plastic(UL 94V-0) ;
IMPELLER : Plastic(UL 94V-0);
COVER : Metal
- IP RATING : IP58
- OPERATING TEMP.: -10°C~60°C
- STORAGE TEMP.: -20°C~70°C
- WEIGHT : 1.27g



JARO Part Number	Bearing System	Rated Voltage V	Rated Current A	Rated Speed RPM	Maximum Air Flow		Maximum Static Pressure		Sound Level dBA
					m ³ /h	CFM	mm-H ₂ O	In-H ₂ O	
JR1504-5	SLEEVE	3.3	0.02	11000	0.005	0.18	1.39	0.054	18.0
	SLEEVE	5.0	0.03	16000	0.007	0.28	2.96	0.116	23.7



*All models can be customized. Please contact your JARO representative for further information.

*Specs are subject to change without notice. Please visit JARO website at <https://jarothermal.com> for update information.