

SLIM-LINE BLOWER

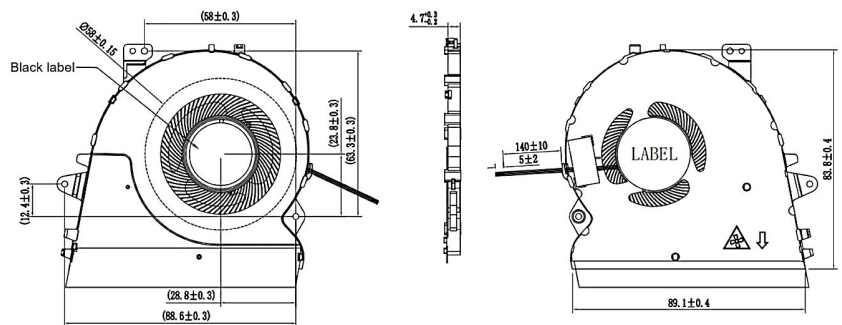
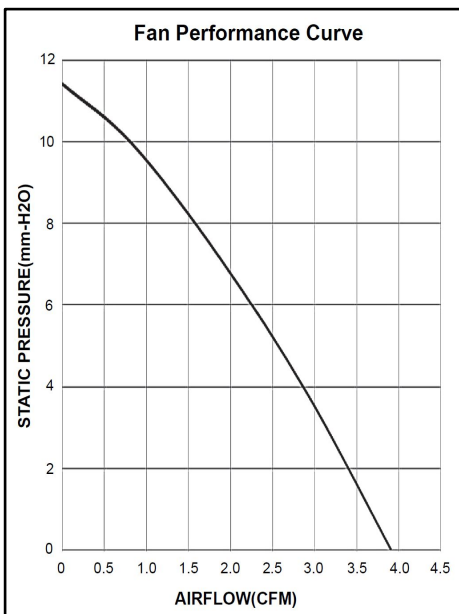


89.1x83.8x4.7mm

- MOTOR : DC three phase brushless motor
- FRAME : SGCC+PBT (94V-0) ;
IMPELLER : LCP(94V-0) ; COVER : FW500
- OPERATING TEMP.: -10°C~70°C
- STORAGE TEMP.: -40°C~70°C
- WEIGHT : 38g



JARO	Bearing System	Rated	Rated	Rated	Maximum		Maximum		Sound
		Voltage	Current	Speed	Air Flow		Static Pressure		Level (0.5M)
Part Number		V	A	RPM	m ³ /min	CFM	mm-H ₂ O	In-H ₂ O	dBA
JHB0890405HABA01	AFB	5.0	0.45	3400	0.110	3.91	11.4	0.448	38.0



*All models can be customized. Please contact your JARO representative for further information.

*Specs are subject to change without notice. Please visit JARO website at <https://jarothermal.com> for update information.