

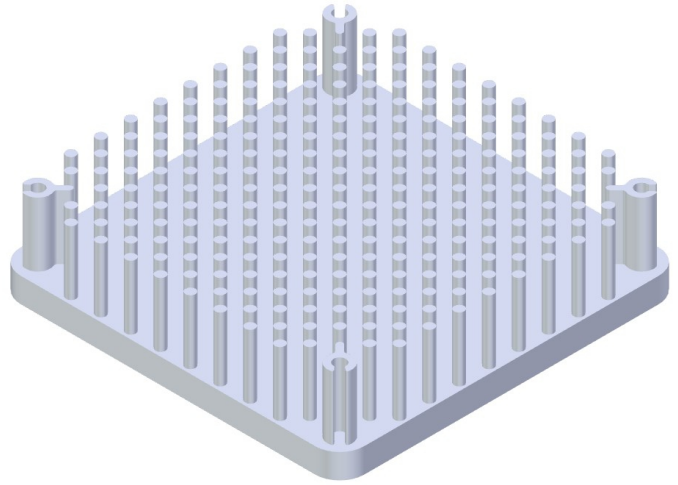
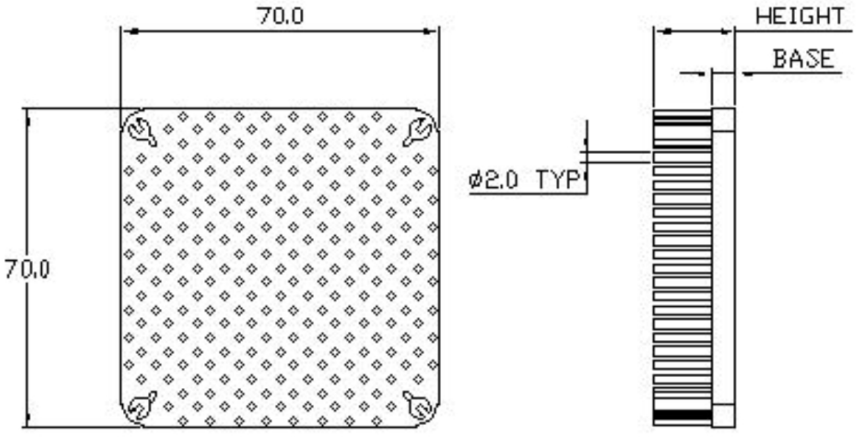
# FORGED PIN FIN HEATSINK

**FOOTPRINT 70 x 70mm**



## FEATURES

- Round Pin Construction Provides Excellent Cooling Performance.
- Material : AL 1050 / 1060 / 1070 / 6063
- Mfg. Process : Cold Forged
- Finish : Black / Clear Anodize
- Comprehensive Machining : Holes, Threads, Clearances, etc.
- RoHS Compliant



P/N	Height (mm)	Base (mm)	Weight (g)	Volume (mm <sup>3</sup> )	Cooling Surface (mm <sup>2</sup> )	Thermal Resistance (°C/W)	Power Pd (W)
JCHAF0049-01	8	4	62	22846	17433	28.875	4
JCHAF0049-02	13	4	73	27010	25672	17.769	6
JCHAF0049-03	18	5	96	35221	32525	12.833	8

\*Material: AL1050 \*Thermal conductivity: 231W/(m\*k) 20°C