

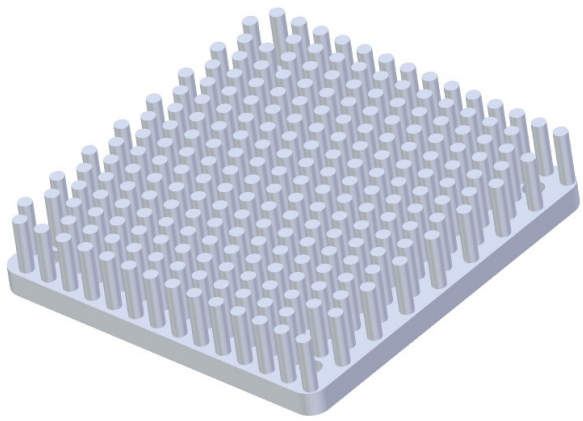
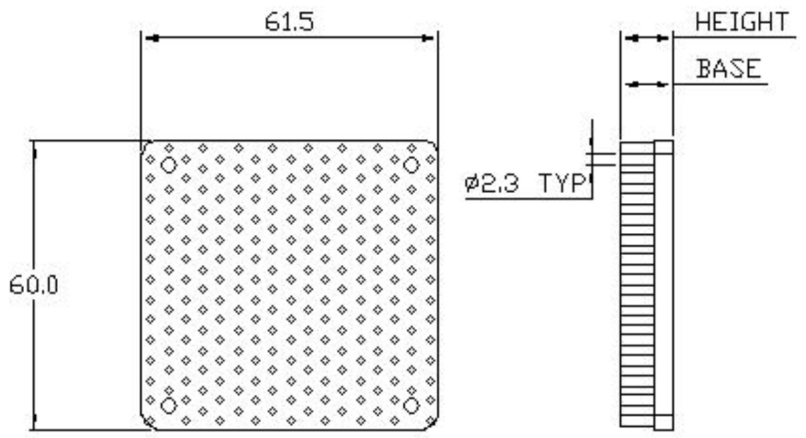
FORGED PIN FIN HEATSINK

FOOTPRINT 61.5 x 60mm



FEATURES

- Round Pin Construction Provides Excellent Cooling Performance.
- Material : AL 1050 / 1060 / 1070 / 6063
- Mfg. Process : Cold Forged
- Finish : Black / Clear Anodize
- Comprehensive Machining : Holes, Threads, Clearances, etc.
- RoHS Compliant



P/N	Height (mm)	Base (mm)	Weight (g)	Volume (mm ³)	Cooling Surface (mm ²)	Thermal Resistance (°C/W)	Power Pd (W)
JCHAF0004-04	8	4	49	18190	15286	48.125	2
JCHAF0004-05	13	4	62	23051	23740	29.615	3
JCHAF0004-06	18	5	97	35933	27963	21.388	4

*Material: AL1050 *Thermal conductivity: 231W/(m*k) 20°C