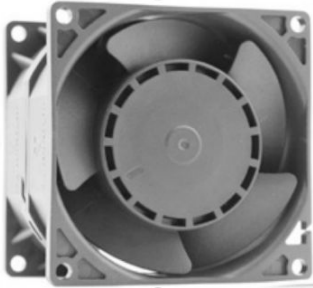


DC FAN



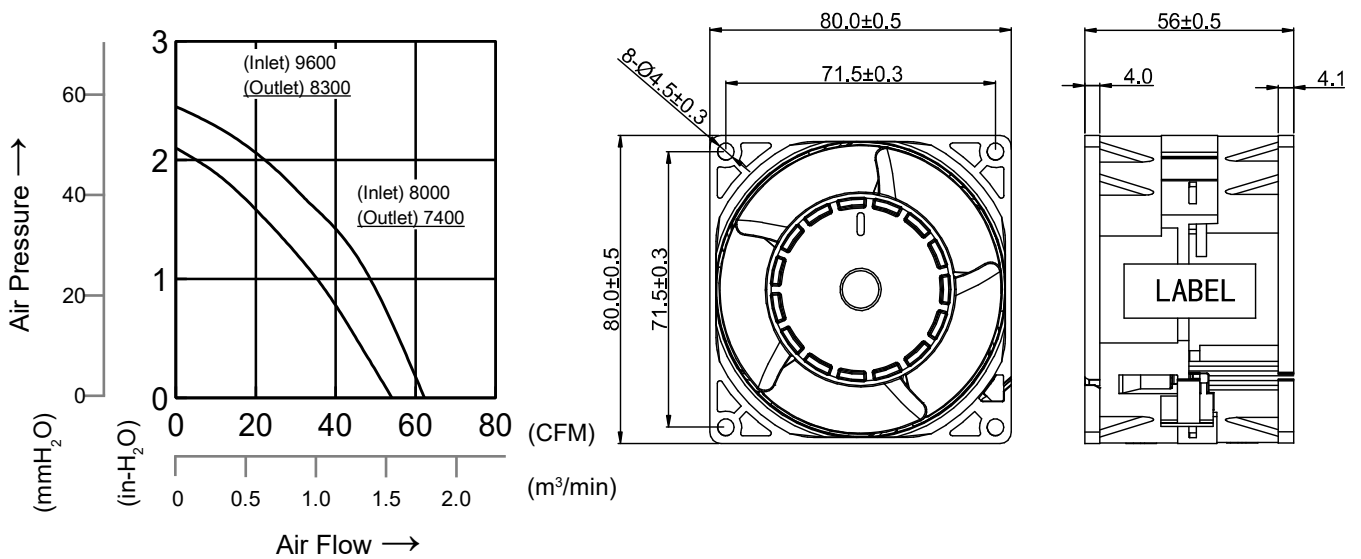
80x80x56mm

- MOTOR : DC single phase brushless motor
- FRAME : PBT (94V-0) ; IMPELLER : PBT(94V-0)
- OPERATING TEMP.: -10°C~70°C
- STORAGE TEMP.: -40°C~70°C
- WEIGHT : 308g



JARO Part Number	*Bearing System	Rated Voltage	Rated Current	Rated Speed	Maximum Air Flow		Maximum Static Pressure		Sound Level
	B / F	V	A	RPM	m ³ /min	CFM	mm-H ₂ O	In-H ₂ O	dBA
JCD0805612MB1A0B	B	12	1.10	(Inlet) 8000 (Outlet) 7400	1.53	54.1	53.3	2.10	64
JCD0805612HB1A0B	B	12	1.30	(Inlet) 9600 (Outlet) 8300	1.76	62.2	62.2	2.45	68

*Bearing system B:two ball bearing



*All models can be customized. Please contact your JARO representative for further information.

*Specs are subject to change without notice. Please visit JARO website at <https://jarothermal.com> for update information.