

DC FAN



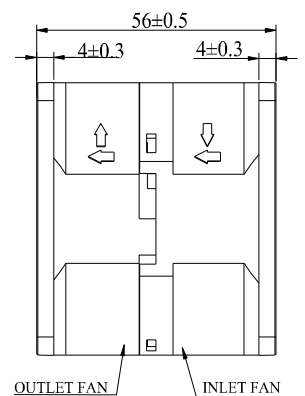
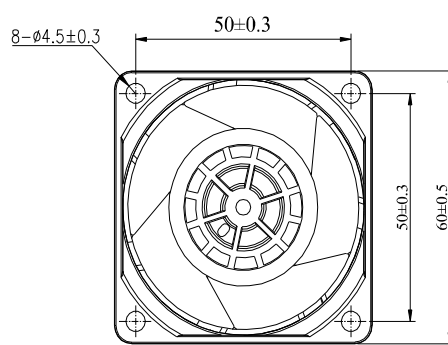
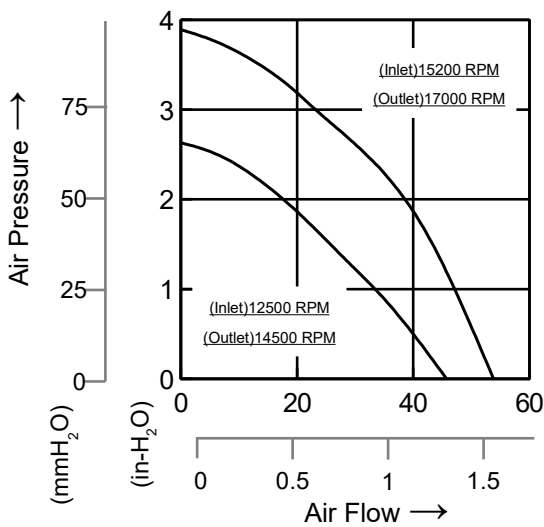
60x60x56mm

- MOTOR : DC single phase brushless motor
- FRAME : PBT (94V-0) ; IMPELLER : PBT(94V-0)
- OPERATING TEMP.: -10°C~70°C
- STORAGE TEMP.: -40°C~70°C
- WEIGHT : 180g



| JARO Part Number | *Bearing System | Rated Voltage | Rated Current | Rated Speed | Maximum Air Flow | | Maximum Static Pressure | | Sound Level |
|---------------------|-----------------|---------------|---------------|-------------------------------|---------------------|-------|-------------------------|---------------------|-------------|
| | B / F | V | A | RPM | m ³ /min | CFM | mm-H ₂ O | In-H ₂ O | dBA |
| JCD0605612HB1A0B | B | 12 | 1.00 | (Inlet)12500 (Outlet)14500 | 1.30 | 45.76 | 66.80 | 2.63 | 63 |
| JCD0605612UB1A0B | B | 12 | 1.45 | (Inlet)15200 (Outlet)17000 | 1.52 | 53.82 | 98.81 | 3.89 | 69 |

*Bearing system B:two ball bearing



*All models can be customized. Please contact your JARO representative for further information.

*Specs are subject to change without notice. Please visit JARO website at <https://jarothermal.com> for update information.