

# DC FAN



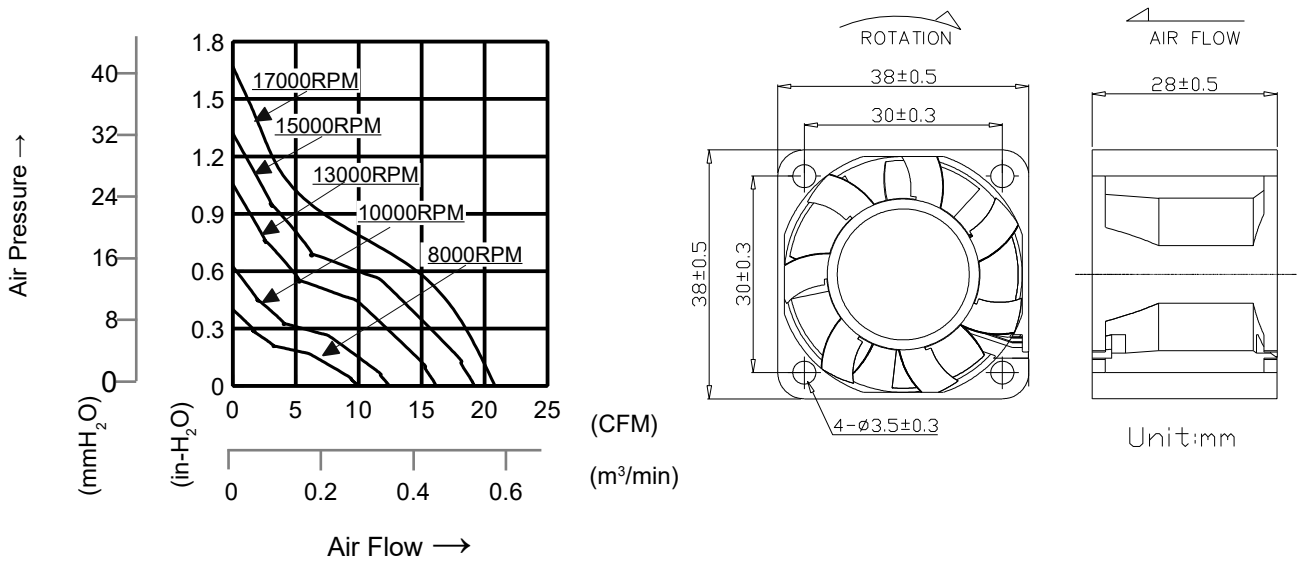
## 38x38x28mm

- MOTOR : DC single phase brushless motor
- FRAME : PBT (94V-0) ; IMPELLER : PBT(94V-0)
- OPERATING TEMP.: -10°C~70°C
- STORAGE TEMP.: -40°C~70°C
- WEIGHT : 31g



| JARO<br>Part Number | *Bearing System | Rated Voltage | Rated Current | Rated Speed | Maximum Air Flow    |       | Maximum Static Pressure |                     | Sound Level |
|---------------------|-----------------|---------------|---------------|-------------|---------------------|-------|-------------------------|---------------------|-------------|
|                     | B / F           | V             | A             | RPM         | m <sup>3</sup> /min | CFM   | mm-H <sub>2</sub> O     | In-H <sub>2</sub> O | dBA         |
| JCD0382812LB1A0B    | B               | 12            | 0.11          | 8000        | 0.26                | 9.44  | 10.02                   | 0.39                | 38          |
| JCD0382812MB1A0B    | B               | 12            | 0.15          | 10000       | 0.35                | 12.46 | 12.46                   | 0.63                | 44          |
| JCD0382812HB1A0B    | B               | 12            | 0.29          | 13000       | 0.46                | 16.30 | 25.91                   | 1.02                | 51          |
| JCD0382812UB1A0B    | B               | 12            | 0.48          | 15000       | 0.54                | 19.16 | 34.71                   | 1.37                | 55          |
| JCD0382812VB1A0B    | B               | 12            | 0.85          | 17000       | 0.59                | 20.80 | 42.41                   | 1.67                | 59          |

\*Bearing system B:two ball bearing



\*All models can be customized. Please contact your JARO representative for further information.

\*Specs are subject to change without notice. Please visit JARO website at <https://jarothermal.com> for update information.