

# DC FAN



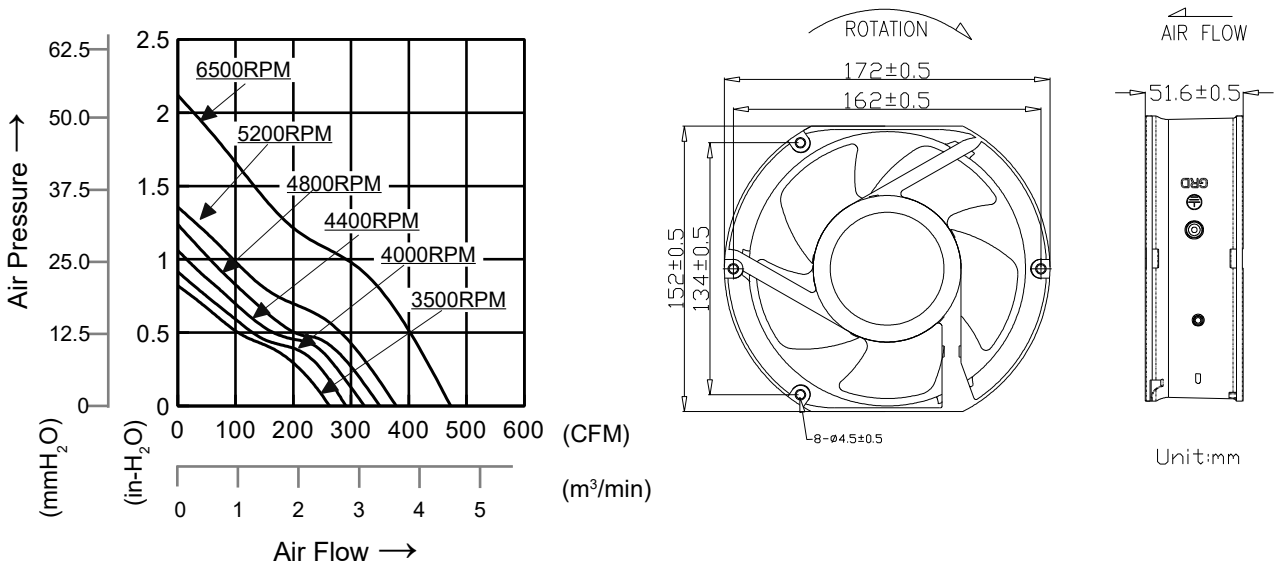
## 172x150x51mm

- MOTOR : DC single phase brushless motor
- FRAME : METAL ; IMPELLER : PBT(94V-0)
- OPERATING TEMP.: -10°C~70°C
- STORAGE TEMP.: -40°C~70°C
- WEIGHT : 610g



JARO Part Number	*Bearing System	Rated Voltage	Rated Current	Rated Speed	Maximum Air Flow		Maximum Static Pressure		Sound Level
	B / F	V	A	RPM	m <sup>3</sup> /min	CFM	mm-H <sub>2</sub> O	In-H <sub>2</sub> O	dBA
JCD1725124JB1A0E	B	24	0.75	3500	7.44	263.0	20.83	0.82	57
JCD1725124LB1A0E	B	24	1.00	4000	8.24	291.0	23.11	0.91	62
JCD1725124MB1A0E	B	24	1.40	4400	9.14	323.0	26.92	1.06	64
JCD1725124HB1A0E	B	24	1.60	4800	9.90	350.0	31.50	1.24	66
JCD1725124UB1A0E	B	24	2.40	5200	10.70	378.0	34.54	1.36	68
JCD1725148JB1A0E	B	48	0.50	3500	7.44	263.0	20.83	0.82	57
JCD1725148LB1A0E	B	48	0.50	4000	8.24	291.0	23.11	0.91	62
JCD1725148MB1A0E	B	48	0.70	4400	9.14	323.0	26.92	1.06	64
JCD1725148HB1A0E	B	48	0.80	4800	9.90	350.0	31.50	1.24	66
JCD1725148UB1A0E	B	48	1.00	5200	10.70	378.0	34.54	1.36	68
JCD1725148VB1A0E	B	48	2.30	6500	13.37	472.5	53.85	2.12	73

\*Bearing system B:two ball bearing



\*All models can be customized. Please contact your JARO representative for further information.

\*Specs are subject to change without notice. Please visit JARO website at <https://jarothermal.com> for update information.

# DC FAN



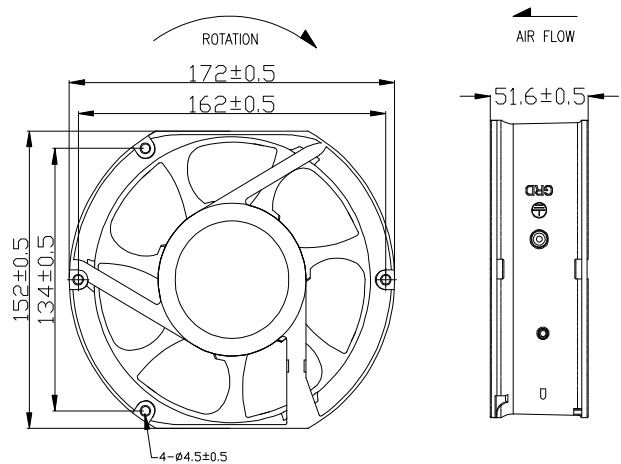
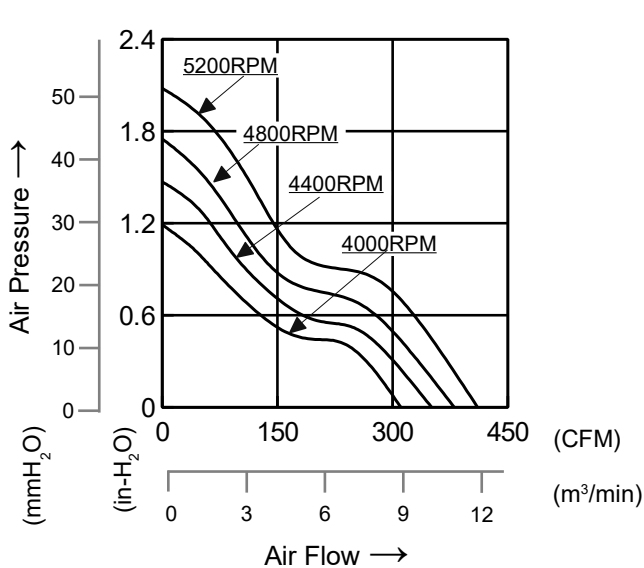
## 172x150x51mm

- MOTOR : DC single phase brushless motor
- FRAME : METAL ; IMPELLER : PBT(94V-0)
- OPERATING TEMP.: -10°C~70°C
- STORAGE TEMP.: -40°C~70°C
- WEIGHT : 700g



JARO Part Number	*Bearing System	Rated Voltage	Rated Current	Rated Speed	Maximum Air Flow		Maximum Static Pressure		Sound Level
	B / F	V	A	RPM	m <sup>3</sup> /min	CFM	mm-H <sub>2</sub> O	In-H <sub>2</sub> O	dBA
JCD1725124LB1A0F	B	24	1.00	4000	8.80	310.6	30.23	1.19	60
JCD1725124MB1A0F	B	24	1.40	4400	9.93	350.5	37.34	1.47	62
JCD1725124HB1A0F	B	24	1.60	4800	10.77	380.3	44.45	1.75	64
JCD1725124UB1A0F	B	24	2.40	5200	11.63	410.5	52.83	2.08	67
JCD1725148LB1A0F	B	24	0.71	4000	8.80	310.6	30.23	1.19	60
JCD1725148MB1A0F	B	48	0.88	4400	9.93	350.5	37.34	1.47	62
JCD1725148HB1A0F	B	48	1.22	4800	10.77	380.3	44.45	1.75	64
JCD1725148UB1A0F	B	48	1.52	5200	11.63	410.5	52.83	2.08	67

\*Bearing system B:two ball bearing



\*All models can be customized. Please contact your JARO representative for further information.

\*Specs are subject to change without notice. Please visit JARO website at <https://jarothermal.com> for update information.