

DC CENTRIFUGAL FAN



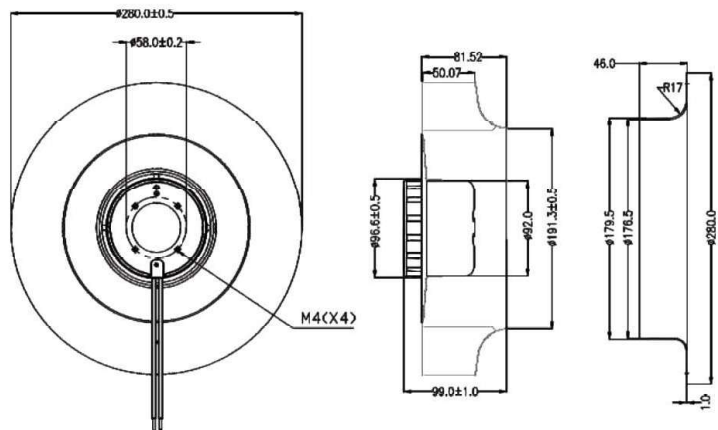
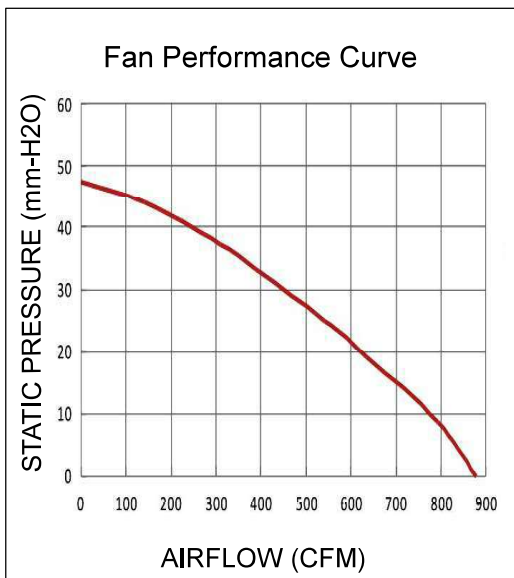
Φ280x99mm

- MOTOR : DC single phase brushless motor
- FRAME : Aluminum ; IMPELLER : SPCC
- OPERATING TEMP.: -10°C~70°C
- STORAGE TEMP.: -40°C~75°C
- WEIGHT : 1600g
- SAFETY : UL / CUL / CE



JARO Part Number	Bearing System	Rated Voltage V	Rated Current A	Rated Speed RPM	Maximum Air Flow		Maximum Static Pressure		Sound Level dBA
					m ³ /h	CFM	mm-H ₂ O	In-H ₂ O	
JSD2809924HBBA01	B	24	5.0	2200	1492.2	877.4	47.89	1.885	73
JSD2809948HBBA01	B	48	3.9	2200	1492.2	877.4	47.89	1.885	73

*Bearing system B:two ball bearing



*All models can be customized. Please contact your JARO representative for further information.

*Specs are subject to change without notice. Please visit JARO website at <https://jarothermal.com> for update information.