

# DC CENTRIFUGAL FAN

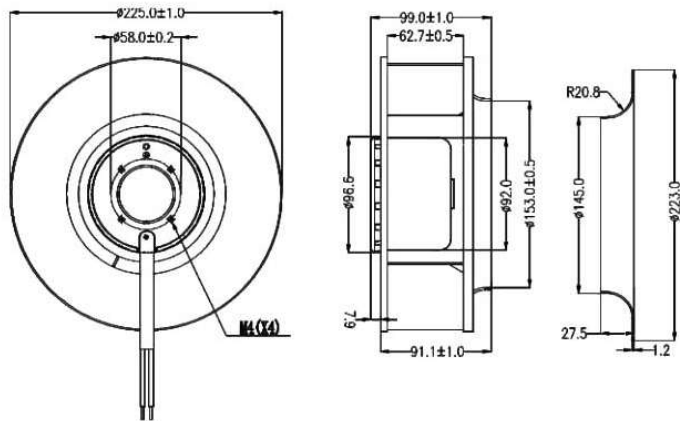
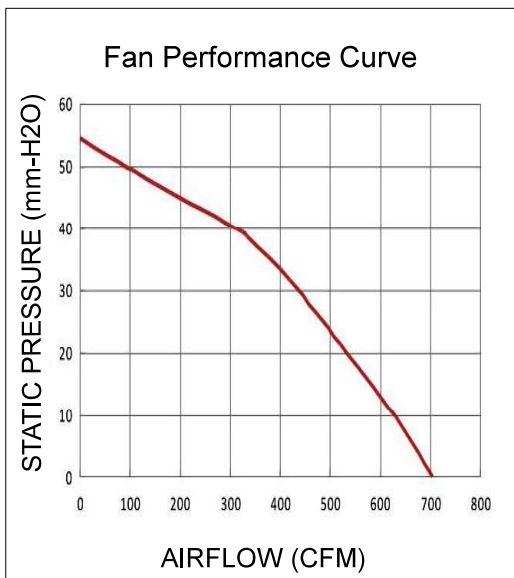


**Φ225x99mm**

- MOTOR : DC single phase brushless motor
- FRAME : Aluminum ; IMPELLER : Plastic(UL 94V-0)
- OPERATING TEMP.: -10°C~70°C
- STORAGE TEMP.: -40°C~75°C
- WEIGHT : 1500g



JARO Part Number	Bearing System	Rated Voltage V	Rated Current A	Rated Speed RPM	Maximum Air Flow		Maximum Static Pressure		Sound Level dBA
					m <sup>3</sup> /h	CFM	mm-H <sub>2</sub> O	In-H <sub>2</sub> O	
JSD2259924HBBA02	BALL	24	6.2	2800	1195.6	703.0	54.5	2.15	74.5
JSD2259948HBBA02	BALL	48	3.0	2800	1195.6	703.0	54.5	2.15	74.5



\*All models can be customized. Please contact your JARO representative for further information.

\*Specs are subject to change without notice. Please visit JARO website at <https://jarothermal.com> for update information.