

DC CENTRIFUGAL FAN

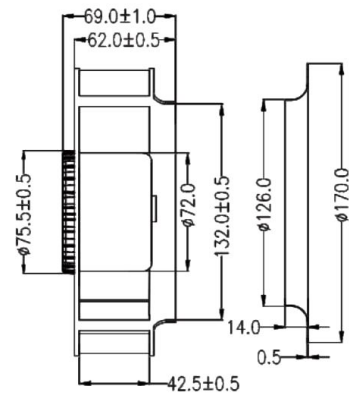
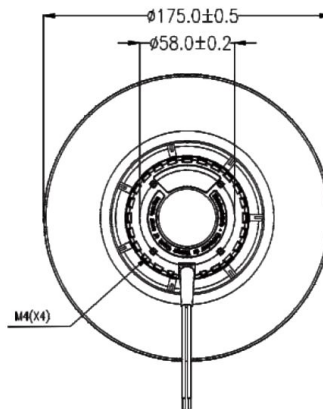
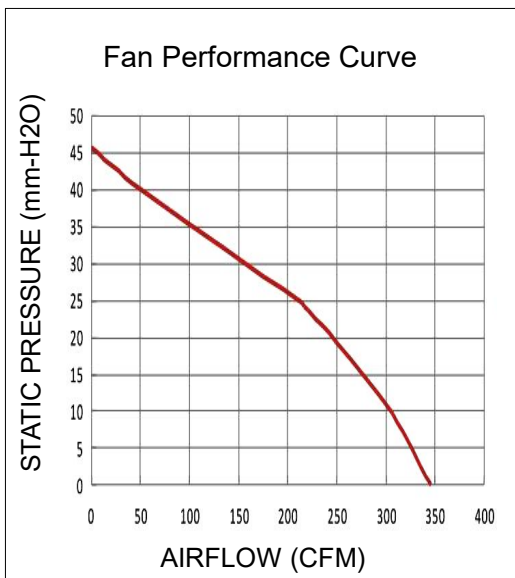


Φ175x69mm

- MOTOR : DC single phase brushless motor
- FRAME : Aluminum ; IMPELLER : Plastic(UL 94V-0)
- OPERATING TEMP.: -10°C~70°C
- STORAGE TEMP.: -40°C~75°C
- WEIGHT : 1300g



JARO Part Number	Bearing System	Rated Voltage V	Rated Current A	Rated Speed RPM	Maximum Air Flow		Maximum Static Pressure		Sound Level dBA
					m ³ /h	CFM	mm-H ₂ O	In-H ₂ O	
JSD1756924HBBA01	BALL	24	5.0	3500	578.6	345.7	45.7	1.8	72
JSD1756948HBBA01	BALL	48	2.5	3500	578.6	345.7	45.7	1.8	72



*All models can be customized. Please contact your JARO representative for further information.

*Specs are subject to change without notice. Please visit JARO website at <https://jarothermal.com> for update information.