

AC FAN

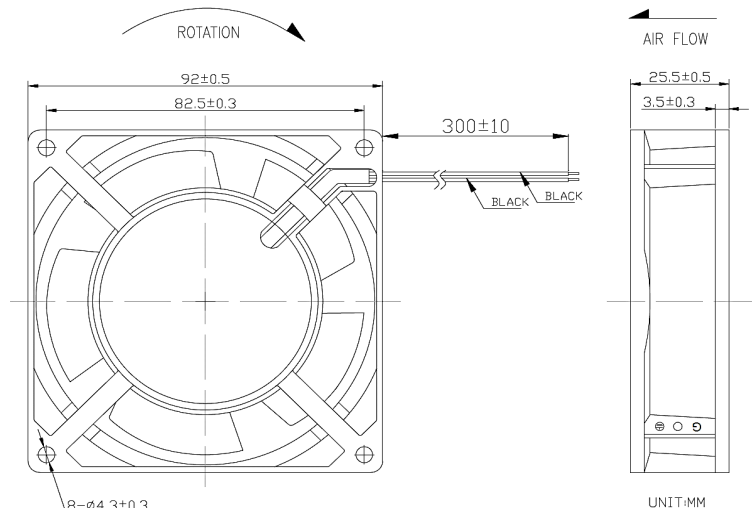
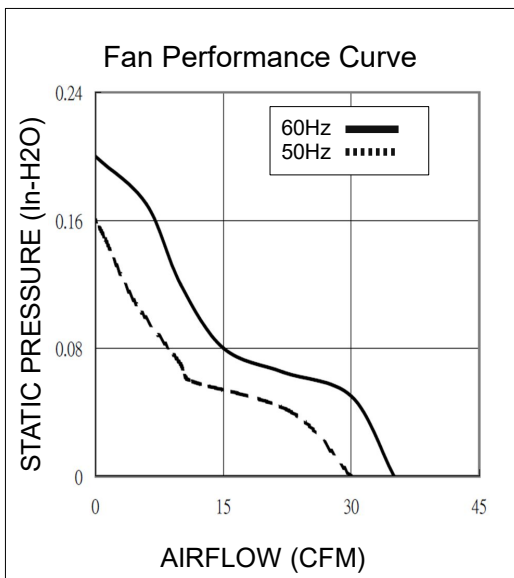


92x92x25mm

- MOTOR : INNER ROTOR, SHADED POLE AC MOTOR
- FRAME : Aluminum Alloy ; IMPELLER : PBT (94V-0)
- OPERATING TEMP.: -10°C~70°C
- STORAGE TEMP.: -40°C~70°C
- INSULATION : Class 'B' or 'F'
- CONNECTION : Lead wires ; Terminal
- WEIGHT : 290g



JARO	Bearing System	Rated Voltage VAC	Frequency (Hz)	Rated Power W	Rated Speed (RPM)	Maximum Air Flow		Maximum Static Pressure		Sound
						m ³ /min	CFM	mm-H ₂ O	In-H ₂ O	Level
Part Number										dBA
JCA0922511HB0E	BALL	110	50/60	15/13	2400 / 2800	0.85 / 0.99	30.0 / 35.0	4.0 / 5.0	0.16 / 0.20	30/31
JCA0922522HB0E	BALL	230	50/60	15/13	2400 / 2800	0.85 / 0.99	30.0 / 35.0	4.0 / 5.0	0.16 / 0.20	30/31



*All models can be customized. Please contact your JARO representative for further information.

*Specs are subject to change without notice. Please visit JARO website at <https://jarothermal.com> for update information.