

AC FAN

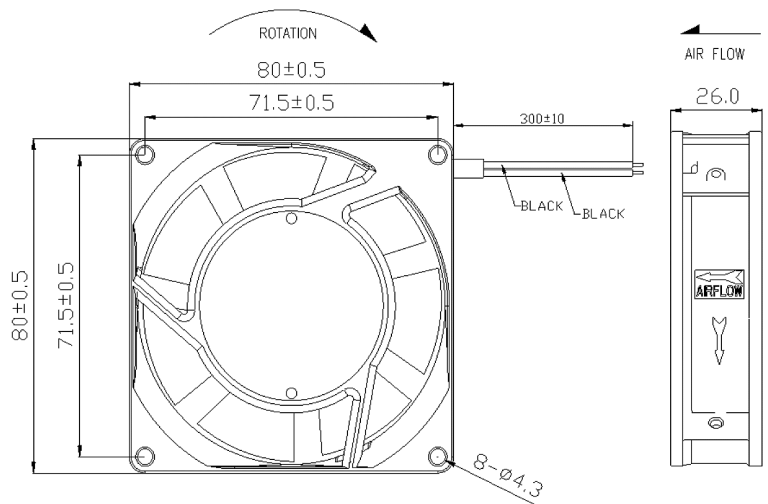
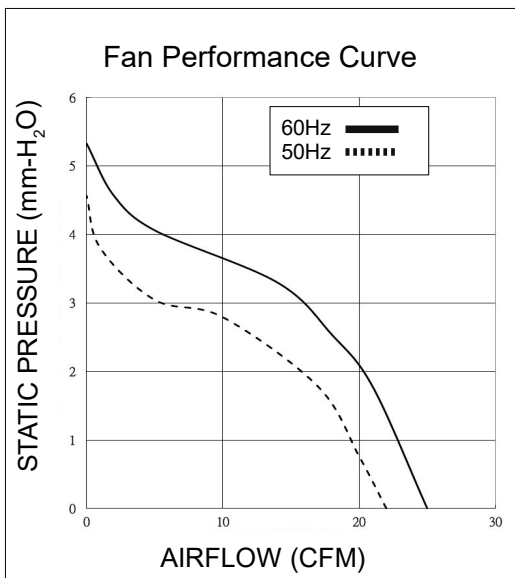


80x80x25mm

- MOTOR : INNER ROTOR, SHADED POLE AC MOTOR
- FRAME : Aluminum Alloy ; IMPELLER : PBT (94V-0)
- OPERATING TEMP.: -10°C~70°C
- STORAGE TEMP.: -40°C~70°C
- INSULATION : Class 'B' or 'F'
- CONNECTION : Lead wires ; Terminal
- WEIGHT : 260g



JARO	Bearing System	Rated Voltage VAC	Frequency (Hz)	Rated Power W	Rated Speed (RPM)	Maximum Air Flow		Maximum Static Pressure		Sound
						m ³ /min	CFM	mm-H ₂ O	In-H ₂ O	Level
Part Number										dB(A)
JCA0802511HB0E	BALL	110	50/60	13/11	2500 / 3000	0.62 / 0.71	22.0 / 25.0	4.5 / 5.3	0.18 / 0.21	28/29
JCA0802522HB0E	BALL	230	50/60	13/11	2500 / 3000	0.62 / 0.71	22.0 / 25.0	4.5 / 5.3	0.18 / 0.21	28/29



*All models can be customized. Please contact your JARO representative for further information.

*Specs are subject to change without notice. Please visit JARO website at <https://jarothermal.com> for update information.