

# AC FAN

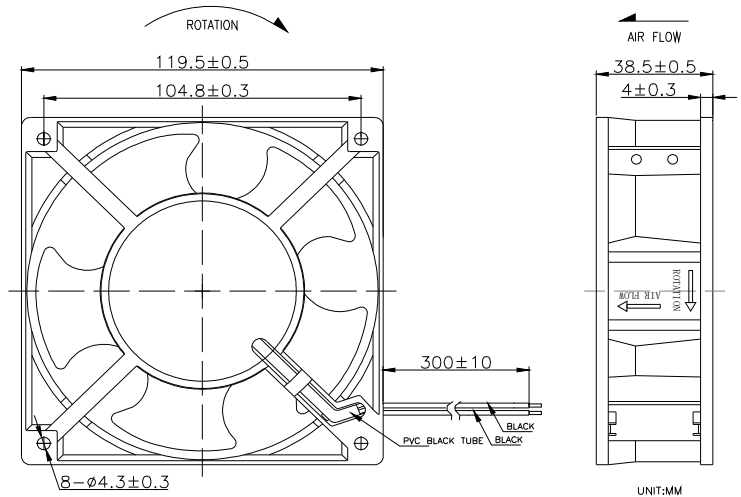
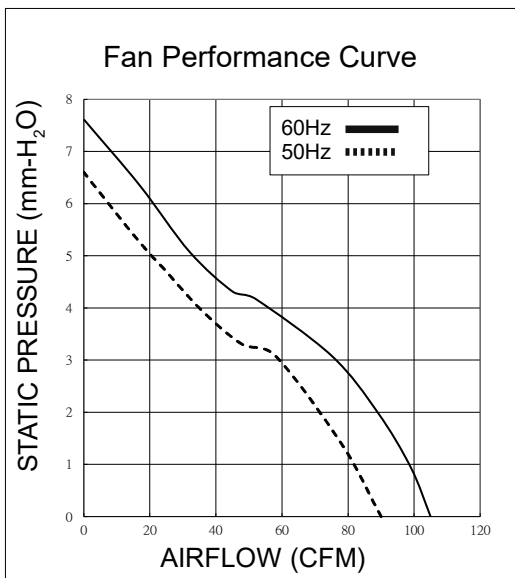


## 120x120x38mm

- MOTOR : INNER ROTOR, SHADED POLE AC MOTOR
- FRAME : Aluminum Alloy ; IMPELLER : PBT (94V-0)
- OPERATING TEMP.: -10°C~70°C
- STORAGE TEMP.: -40°C~70°C
- INSULATION : Class 'B' or 'F'
- CONNECTION : Lead wires ; Terminal
- WEIGHT : 530g



JARO	Bearing System	Rated Voltage VAC	Frequency (Hz)	Rated Power W	Rated Speed (RPM)	Maximum Air Flow		Maximum Static Pressure		Sound
						m <sup>3</sup> /min	CFM	mm-H <sub>2</sub> O	In-H <sub>2</sub> O	Level
Part Number										dB(A)
JCA1203811HB0E	BALL	110	50/60	21/19	2600 / 3000	2.57 / 2.97	91 / 105	6.35 / 7.62	0.25 / 0.30	43/44
JCA1203822HB0E	BALL	230	50/60	21/19	2600 / 3000	2.57 / 2.97	91 / 105	6.35 / 7.62	0.25 / 0.30	43/44



\*All models can be customized. Please contact your JARO representative for further information.

\*Specs are subject to change without notice. Please visit JARO website at <https://jarothermal.com> for update information.