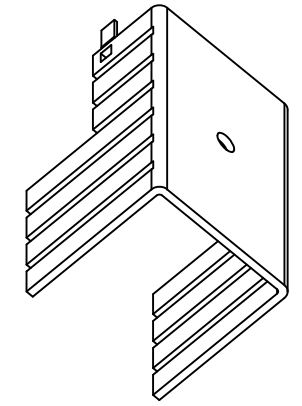
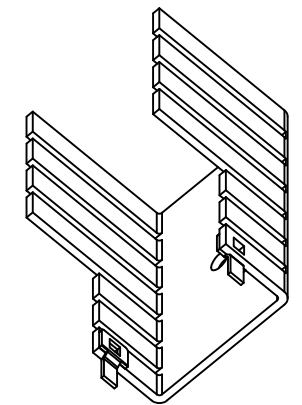
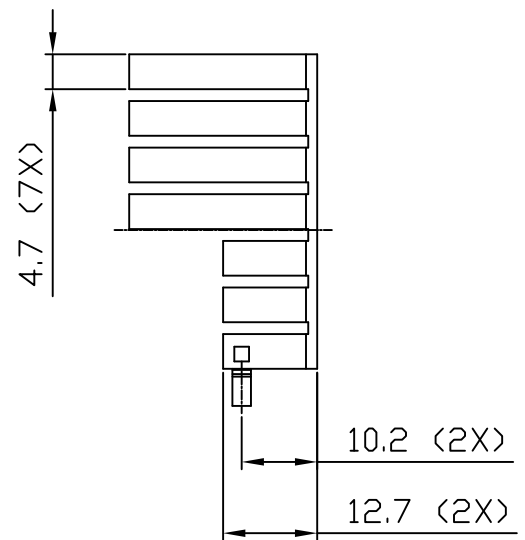
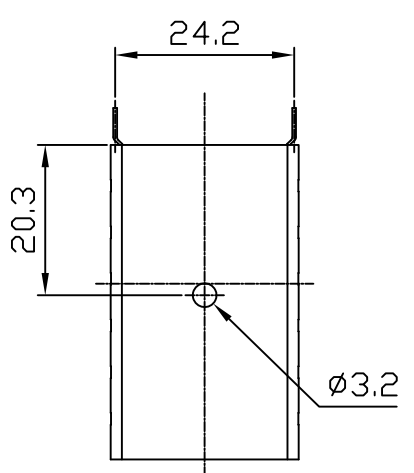
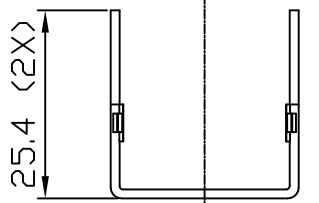
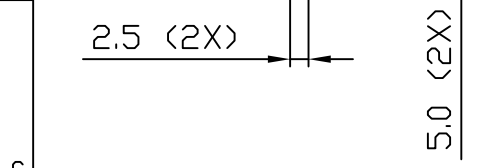
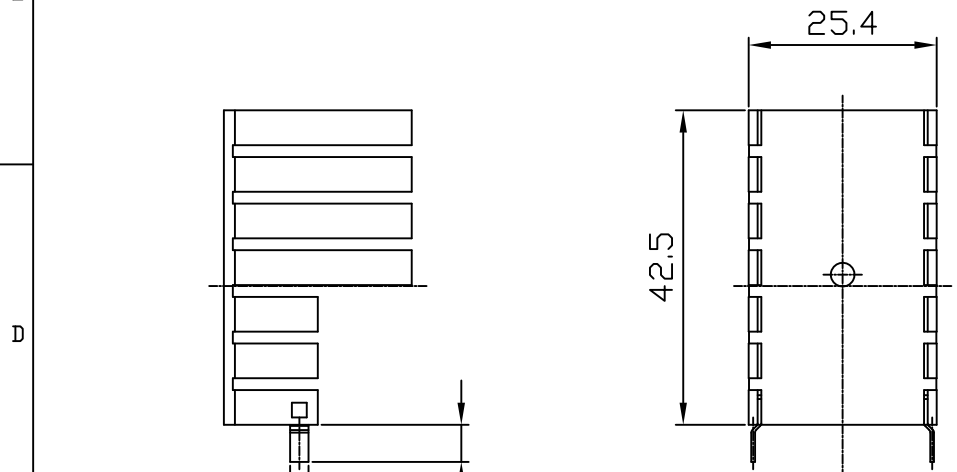
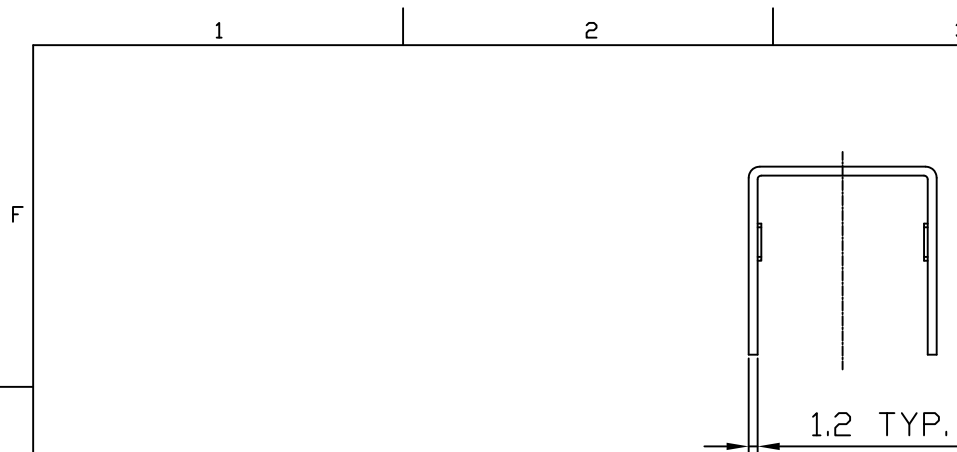


REVISIONS			
REV.	COMMENT	DATE	APPROVED
0	INITIAL RELEASE	2023-04-21	CHRIS



ISOMETRIC VIEW
SCALE 1:1

- NOTES:
- THIS DRAWING CONTAINS OVERALL DIMENSIONS ONLY. REFER TO 3D CAD DATABASE FOR COMPLETE PART INFORMATION.
 - PARTS TO BE CLEAN AND FREE OF CRACKS, FOREIGN MATTER. NO OIL OR LUBRICANTS ON THE SURFACE.
 - ALL DIMENSIONS SHOWN SHALL BE CHECKED AT FIRST ARTICLE INSPECTION.
 - REMOVE ALL BURRS AND SHARP EDGES.
 - FINISHED PRODUCT TO BE RoHS COMPLIANT.

DIMENSIONAL TOLERANCE		
DECIMAL PLACES	MILLIMETERS	INCHES
.	± 0.50	-
.X	± 0.30	-
.XX	± 0.20	-
UNLESS OTHERWISE SPECIFIED		
ANGULAR DIMENSIONS	THIRD ANGLE PROJECTION	
± 1.0°		
SCALE	UNIT	SIZE
1:1	mm	A3

DRAWN
SIDNEY
CHECKED
CHRIS
APPROVED
CHRIS

TITLE
STAMPED HEAT SINK
MATERIAL
AL 1050
FINISH
BLACK ANODIZE
CUS. PART NO.
CUS. REV.
PART NO.
JBHAS2653
REV.
0

JARO
THERMAL

SHEET 1 OF 1
DATE 2023-04-21