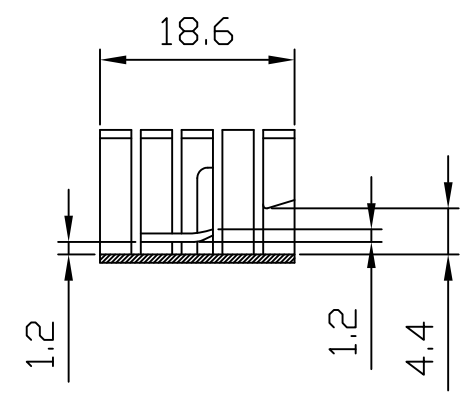
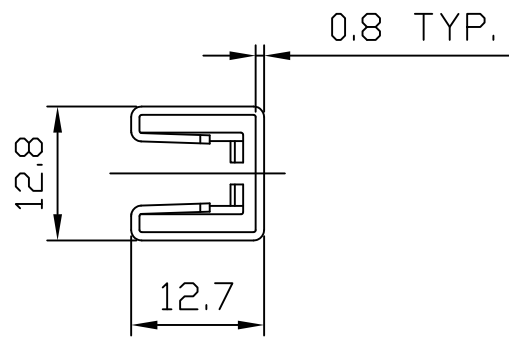
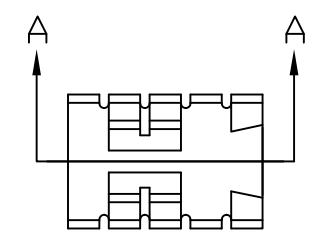



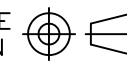
1 2 3 4 5 6

REVISIONS			
REV.	COMMENT	DATE	APPROVED
0	INITIAL RELEASE	2023-05-26	CHRIS



SECTION A-A

- NOTES:
- THIS DRAWING CONTAINS OVERALL DIMENSIONS ONLY. REFER TO 3D CAD DATABASE FOR COMPLETE PART INFORMATION.
  - PARTS TO BE CLEAN AND FREE OF CRACKS, FOREIGN MATTER. NO OIL OR LUBRICANTS ON THE SURFACE.
  - ALL DIMENSIONS SHOWN SHALL BE CHECKED AT FIRST ARTICLE INSPECTION.
  - REMOVE ALL BURRS AND SHARP EDGES.
  - FINISHED PRODUCT TO BE RoHS COMPLIANT.
  - TOLERANCE:  $\pm 0.50\text{mm}$

DIMENSIONAL TOLERANCE			DRAWN  SIDNEY	TITLE STAMPED HEAT SINK				
DECIMAL PLACES	MILLIMETERS	INCHES		CHECKED  CHRIS	MATERIAL AL 5052			
.	-	-			APPROVED  CHRIS		FINISH BLACK ANODIZE	
.X	-	-					CUS. PART NO.	CUS. REV.
.XX	-	-	UNLESS OTHERWISE SPECIFIED		PART NO.	REV.	SHEET	DATE
ANGULAR DIMENSIONS		THIRD ANGLE PROJECTION 		JBHAS2603		0	1 OF 1	2023-05-26
SCALE	UNIT	SIZE	CHRIS					
1:1	mm	A4						

1 2 3 4 5 6

D

C

B

A

D

C

B

A