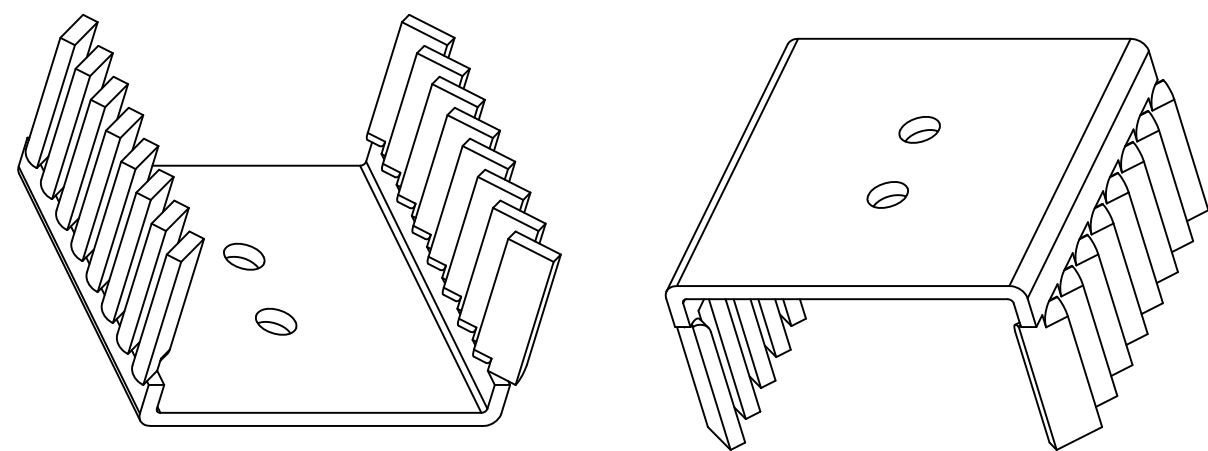
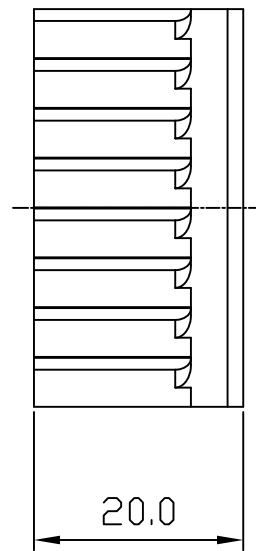
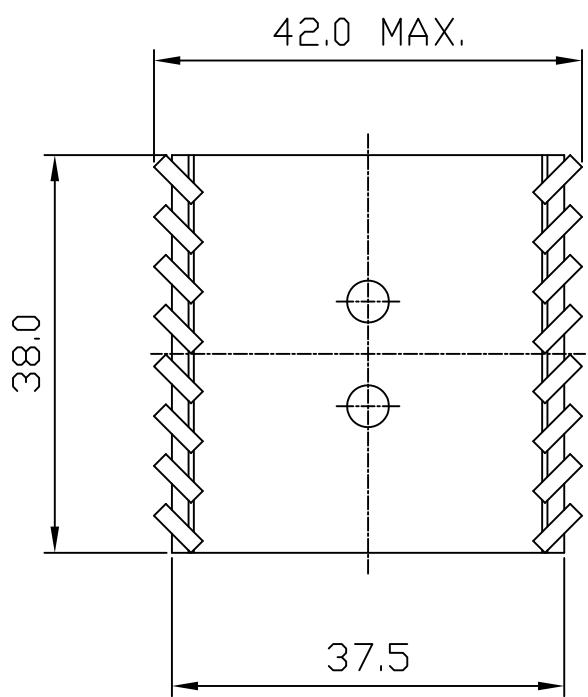
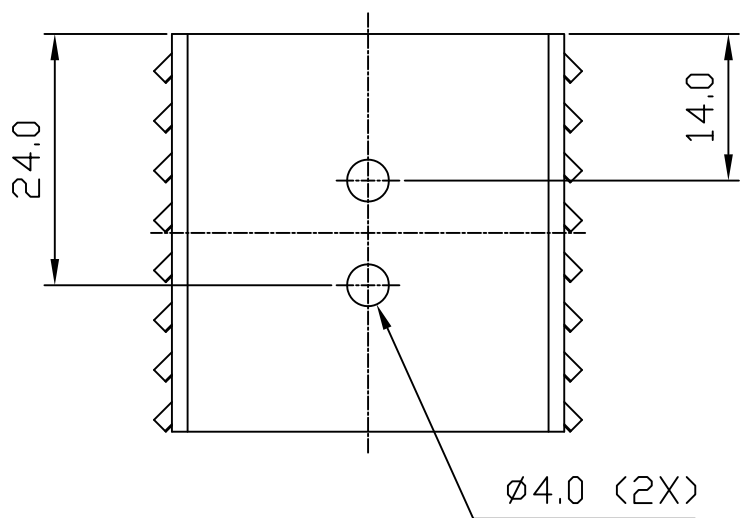
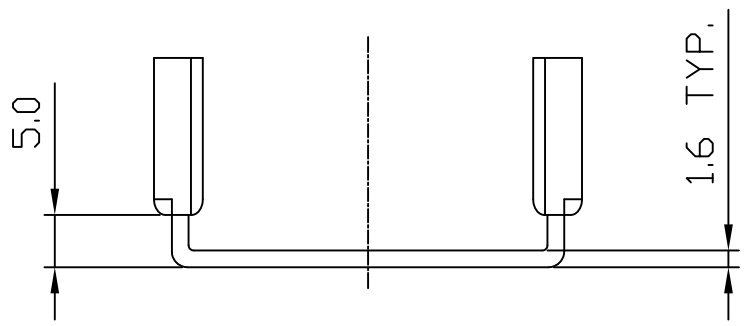


REVISIONS			
REV.	COMMENT	DATE	APPROVED
0	INITIAL RELEASE	2023-04-18	CHRIS



ISOMETRIC VIEW
SCALE 1:1



- NOTES:
- THIS DRAWING CONTAINS OVERALL DIMENSIONS ONLY. REFER TO 3D CAD DATABASE FOR COMPLETE PART INFORMATION.
 - PARTS TO BE CLEAN AND FREE OF CRACKS, FOREIGN MATTER. NO OIL OR LUBRICANTS ON THE SURFACE.
 - ALL DIMENSIONS SHOWN SHALL BE CHECKED AT FIRST ARTICLE INSPECTION.
 - REMOVE ALL BURRS AND SHARP EDGES.
 - FINISHED PRODUCT TO BE RoHS COMPLIANT.
 - TOLERANCE: $\pm 0.50\text{mm}$

DIMENSIONAL TOLERANCE			DRAWN SIDNEY	TITLE STAMPED HEAT SINK		
DECIMAL PLACES	MILLIMETERS	INCHES		CHECKED CHRIS	MATERIAL AL 1100	
.	-	-			FINISH BLACK ANODIZE	
.X	-	-	CUS. PART NO.			
.XX	-	-	APPROVED CHRIS	CUS. REV.		
UNLESS OTHERWISE SPECIFIED				PART NO. JBHAS2541		
ANGULAR DIMENSIONS $\pm 1.0^\circ$	THIRD ANGLE PROJECTION		REV. 0		SHEET 1 OF 1	
SCALE 1:1	UNIT mm	SIZE A4	DATE 2023-04-18			

