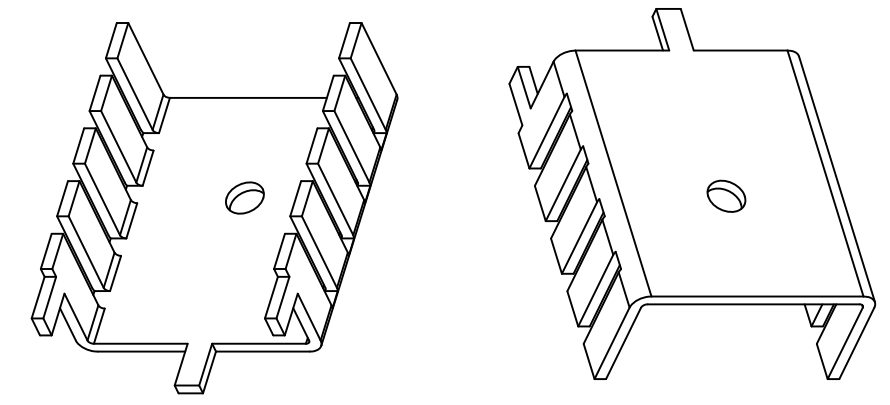
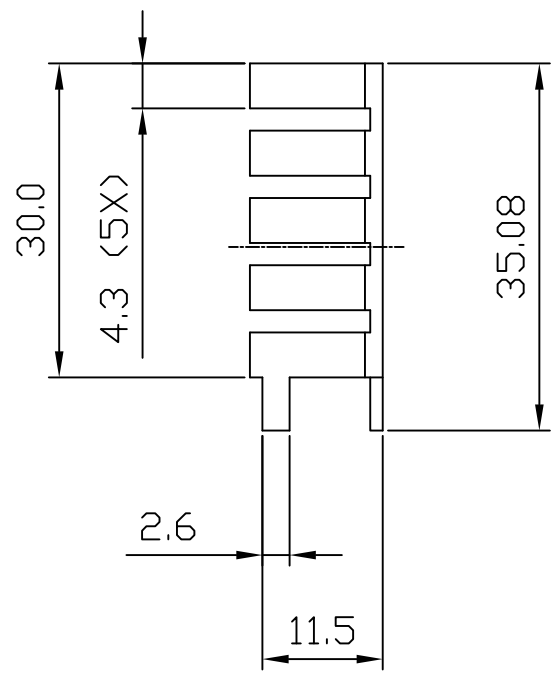
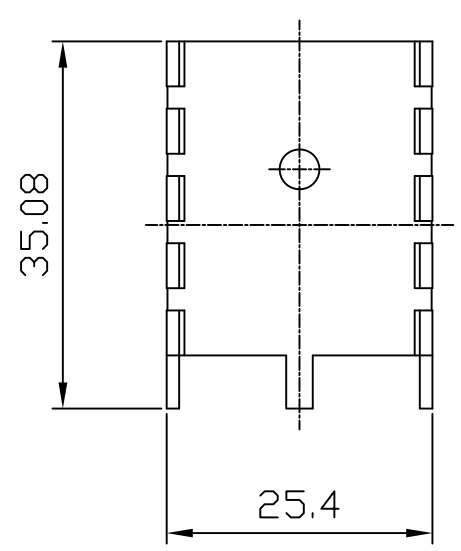
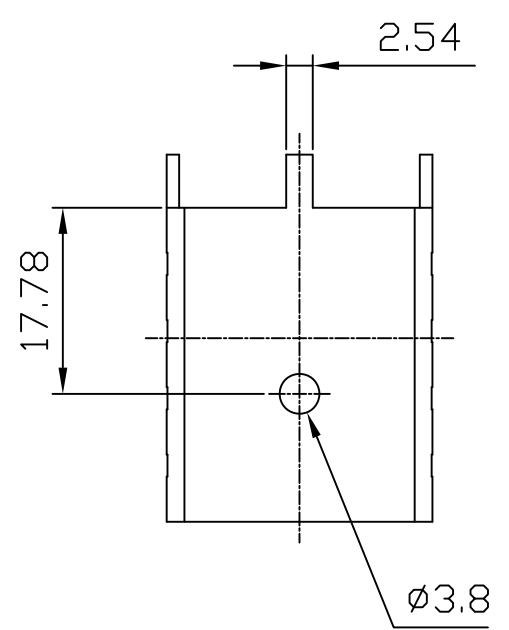
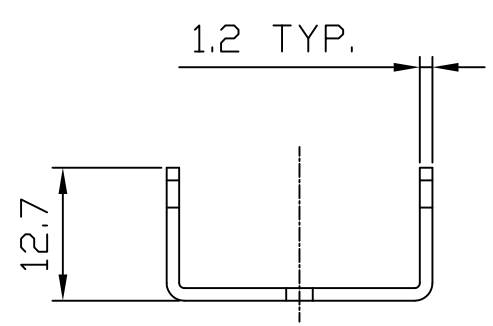


REVISIONS

| REV. | COMMENT | DATE | APPROVED |
|------|-----------------|------------|----------|
| 0 | INITIAL RELEASE | 2023-03-30 | CHRIS |
| | | | |



ISOMETRIC VIEW
SCALE 1:1



- NOTES:
- THIS DRAWING CONTAINS OVERALL DIMENSIONS ONLY. REFER TO 3D CAD DATABASE FOR COMPLETE PART INFORMATION.
 - PARTS TO BE CLEAN AND FREE OF CRACKS, FOREIGN MATTER. NO OIL OR LUBRICANTS ON THE SURFACE.
 - ALL DIMENSIONS SHOWN SHALL BE CHECKED AT FIRST ARTICLE INSPECTION.
 - REMOVE ALL BURRS AND SHARP EDGES.
 - FINISHED PRODUCT TO BE RoHS COMPLIANT.
 - TOLERANCE: $\pm 0.50\text{mm}$

| DIMENSIONAL TOLERANCE | | |
|----------------------------|------------------------|--------|
| DECIMAL PLACES | MILLIMETERS | INCHES |
| . | - | - |
| .X | - | - |
| .XX | - | - |
| UNLESS OTHERWISE SPECIFIED | | |
| ANGULAR DIMENSIONS | THIRD ANGLE PROJECTION | |
| $\pm 1.0^\circ$ | | |
| SCALE | UNIT | SIZE |
| 1:1 | mm | A4 |

DRAWN
SIDNEY
CHECKED
CHRIS
APPROVED
CHRIS

TITLE
STAMPED HEAT SINK
MATERIAL
AL 1050
FINISH
BLACK ANODIZE
CUS. PART NO.
CUS. REV.
PART NO.
JBHAS2397
REV.
0

JARO
THERMAL

| | |
|--------|------------|
| SHEET | DATE |
| 1 OF 1 | 2023-03-30 |