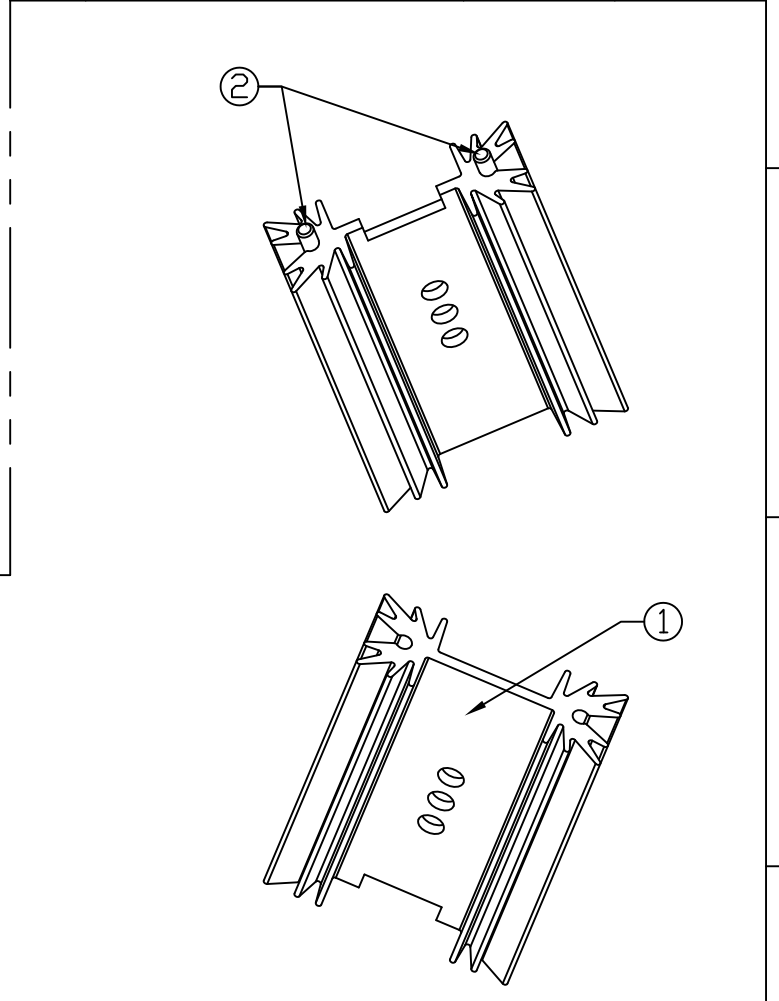


| REVISIONS |                 |            |          |
|-----------|-----------------|------------|----------|
| REV.      | COMMENT         | DATE       | APPROVED |
| 0         | INITIAL RELEASE | 2023-09-07 | CHRIS    |



ISOMETRIC VIEW  
SCALE 1:1

- NOTES:
- THIS DRAWING CONTAINS OVERALL DIMENSIONS ONLY. REFER TO 3D CAD DATABASE FOR COMPLETE PART INFORMATION.
  - PARTS TO BE CLEAN AND FREE OF CRACKS, FOREIGN MATTER. NO OIL OR LUBRICANTS ON THE SURFACE.
  - ALL DIMENSIONS SHOWN SHALL BE CHECKED AT FIRST ARTICLE INSPECTION.
  - REMOVE ALL BURRS AND SHARP EDGES.
  - FINISHED PRODUCT TO BE RoHS COMPLIANT.
  - TOLERANCE:  $\pm 0.30\text{mm}$

| ITEM | QTY. | DESCRIPTION | MATERIAL   | REMARK                |
|------|------|-------------|------------|-----------------------|
| 2    | 2    | PIN         | CRS        | FINISH: TIN PLATED    |
| 1    | 1    | HEAT SINK   | AL 6063-T5 | FINISH: BLACK ANODIZE |

| DIMENSIONAL TOLERANCE      |                        |        |
|----------------------------|------------------------|--------|
| DECIMAL PLACES             | MILLIMETERS            | INCHES |
|                            | -                      | -      |
| .X                         | -                      | -      |
| .XX                        | -                      | -      |
| UNLESS OTHERWISE SPECIFIED |                        |        |
| ANGULAR DIMENSIONS         | THIRD ANGLE PROJECTION |        |
| $\pm 1.0^\circ$            |                        |        |
| SCALE                      | UNIT                   | SIZE   |
| 1:1                        | mm                     | A3     |

|          |                             |           |
|----------|-----------------------------|-----------|
| DRAWN    | TITLE                       |           |
| SIDNEY   | EXTRUDED PC MOUNT HEAT SINK |           |
| CHECKED  | MATERIAL                    |           |
| CHRIS    | SEE TABLE                   |           |
| APPROVED | FINISH                      |           |
| CHRIS    | SEE TABLE                   |           |
|          | CUS. PART NO.               | CUS. REV. |
|          | PART NO.                    | REV.      |
|          | JBHAE2143                   | 0         |

**JARO THERMAL**

|        |            |
|--------|------------|
| SHEET  | DATE       |
| 1 OF 1 | 2023-09-07 |