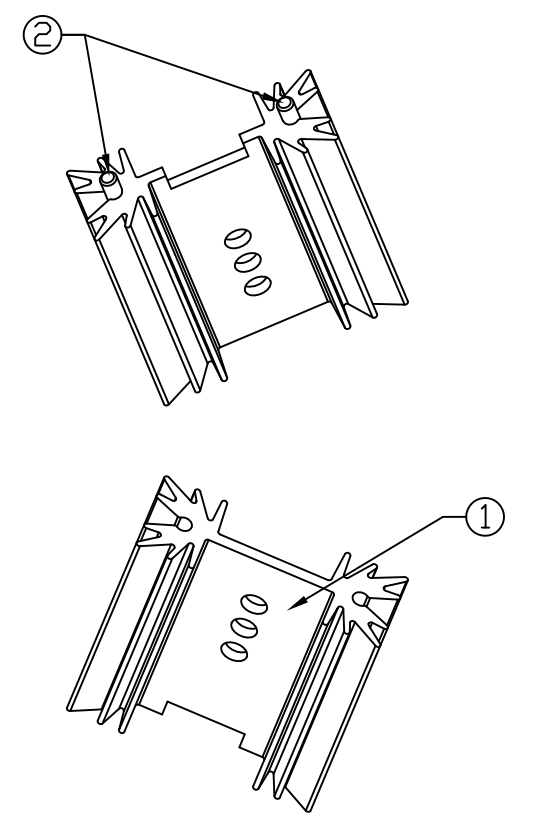


| REVISIONS | | | |
|-----------|-----------------|------------|----------|
| REV. | COMMENT | DATE | APPROVED |
| 0 | INITIAL RELEASE | 2023-09-07 | CHRIS |



ISOMETRIC VIEW
SCALE 1:1

- NOTES:
1. THIS DRAWING CONTAINS OVERALL DIMENSIONS ONLY. REFER TO 3D CAD DATABASE FOR COMPLETE PART INFORMATION.
 2. PARTS TO BE CLEAN AND FREE OF CRACKS, FOREIGN MATTER, NO OIL OR LUBRICANTS ON THE SURFACE.
 3. ALL DIMENSIONS SHOWN SHALL BE CHECKED AT FIRST ARTICLE INSPECTION.
 4. REMOVE ALL BURRS AND SHARP EDGES.
 5. FINISHED PRODUCT TO BE RoHS COMPLIANT.
 6. TOLERANCE: $\pm 0.30\text{mm}$

| ITEM | QTY. | DESCRIPTION | MATERIAL | REMARK |
|------|------|-------------|------------|-----------------------|
| 2 | 2 | PIN | CRS | FINISH: TIN PLATED |
| 1 | 1 | HEAT SINK | AL 6063-T5 | FINISH: BLACK ANODIZE |

| DIMENSIONAL TOLERANCE | | |
|----------------------------|------------------------|--------|
| DECIMAL PLACES | MILLIMETERS | INCHES |
| | - | - |
| .X | - | - |
| .XX | - | - |
| UNLESS OTHERWISE SPECIFIED | | |
| ANGULAR DIMENSIONS | THIRD ANGLE PROJECTION | |
| $\pm 1.0^\circ$ | | |
| SCALE | UNIT | SIZE |
| 1:1 | mm | A3 |

| | | | | | |
|----------|--------|--|---------------|-----------------------------|--------|
| DRAWN | SIDNEY | | TITLE | EXTRUDED PC MOUNT HEAT SINK | |
| CHECKED | CHRIS | | MATERIAL | SEE TABLE | |
| APPROVED | CHRIS | | FINISH | SEE TABLE | |
| | CHRIS | | CUS. PART NO. | CUS. REV. | |
| | CHRIS | | PART NO. | JBHAE2142 | REV. 0 |

| | | | |
|-------|--------|------|------------|
| SHEET | 1 OF 1 | DATE | 2023-09-07 |
|-------|--------|------|------------|