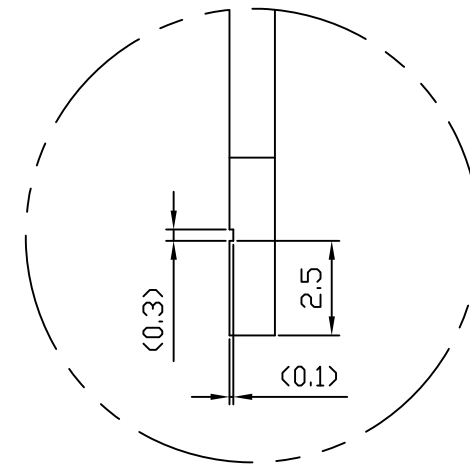
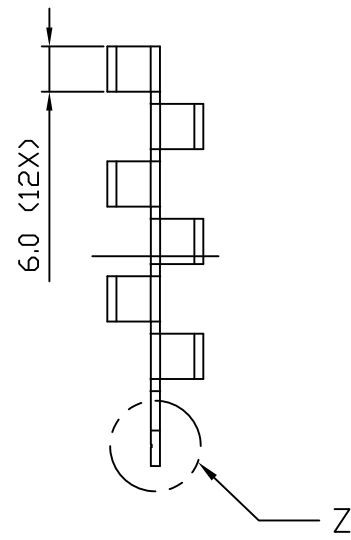
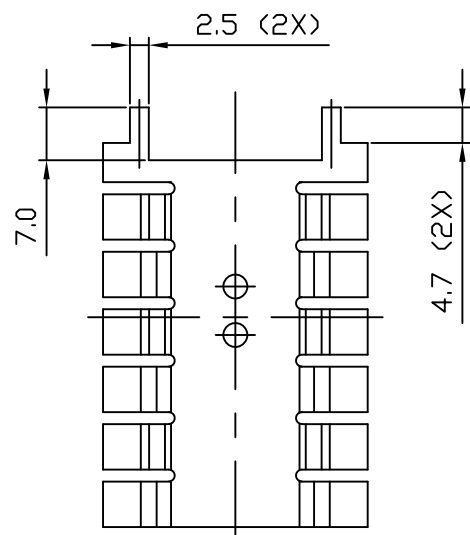
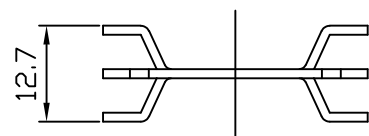
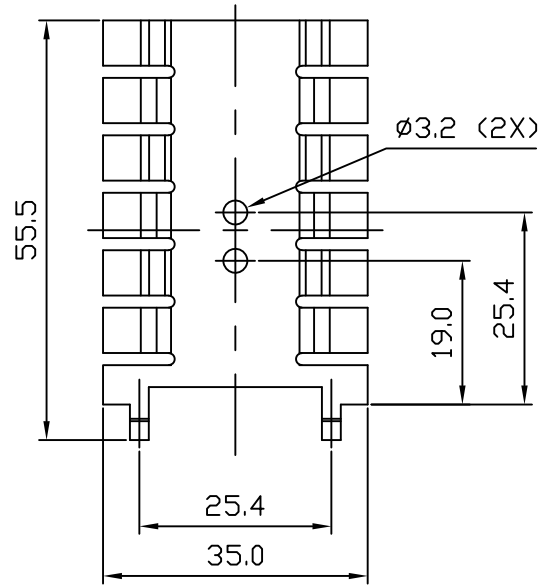
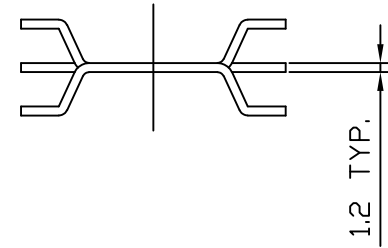


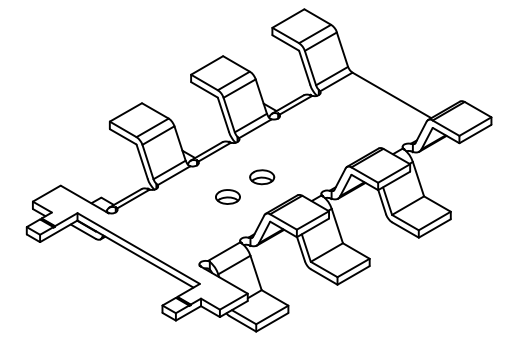
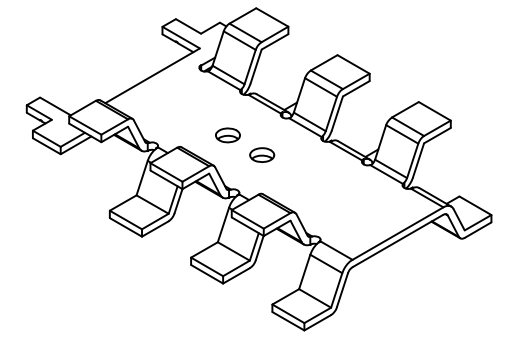
REVISIONS			
REV.	COMMENT	DATE	APPROVED
0	INITIAL RELEASE	2023-09-12	CHRIS

F  
E  
D  
C  
B  
A

F  
E  
D  
C  
B  
A



DETAIL Z  
SCALE 5:1



ISOMETRIC VIEW  
SCALE 1:1

NOTES:

- THIS DRAWING CONTAINS OVERALL DIMENSIONS ONLY. REFER TO 3D CAD DATABASE FOR COMPLETE PART INFORMATION.
- PARTS TO BE CLEAN AND FREE OF CRACKS, FOREIGN MATTER, NO OIL OR LUBRICANTS ON THE SURFACE.
- ALL DIMENSIONS SHOWN SHALL BE CHECKED AT FIRST ARTICLE INSPECTION.
- REMOVE ALL BURRS AND SHARP EDGES.
- FINISHED PRODUCT TO BE RoHS COMPLIANT.
- TOLERANCE:  $\pm 0.50\text{mm}$

DIMENSIONAL TOLERANCE			DRAWN	TITLE	MATERIAL	FINISH	CUS. PART NO.	CUS. REV.
DECIMAL PLACES	MILLIMETERS	INCHES						
	-	-	SIDNEY	STAMPED HEAT SINK				
.X	-	-		CHECKED	AL 1050			
.XX	-	-	CHRIS		BLACK ANODIZE			
UNLESS OTHERWISE SPECIFIED				APPROVED	PART NO. JBHAS0084			
ANGULAR DIMENSIONS		THIRD ANGLE PROJECTION	CHRIS		REV. 0		SHEET 1 OF 1	
$\pm 1.0^\circ$								
SCALE	UNIT	SIZE						
1:1	mm	A3						

