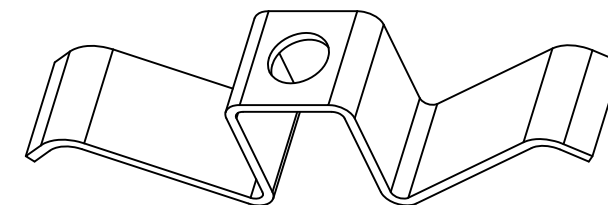
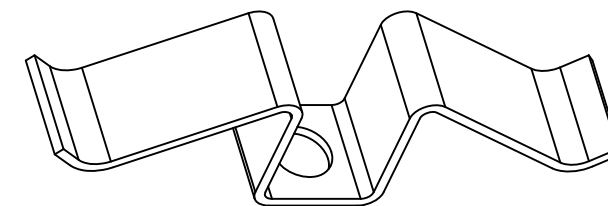
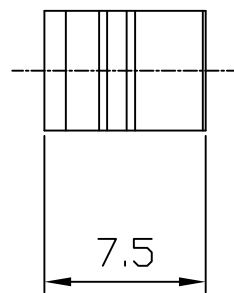
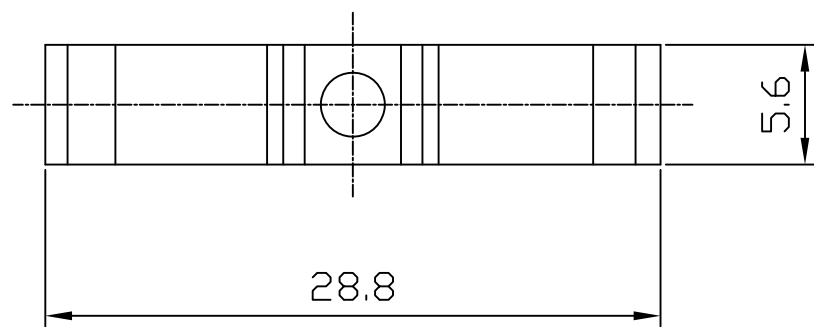
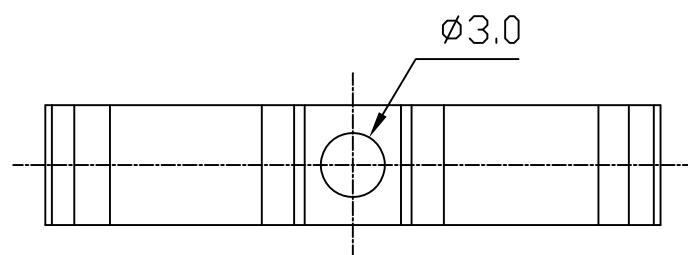
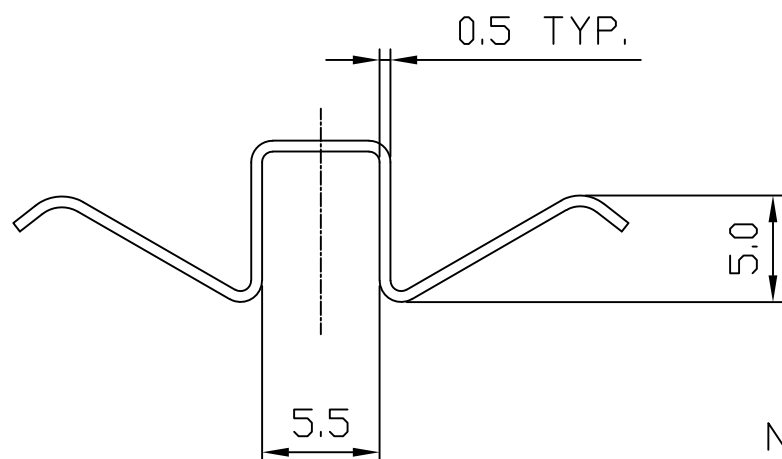


REVISIONS			
REV.	COMMENT	DATE	APPROVED
0	INITIAL RELEASE	2023-09-12	CHRIS



ISOMETRIC VIEW
SCALE 2:1



NOTES:

1. THIS DRAWING CONTAINS OVERALL DIMENSIONS ONLY. REFER TO 3D CAD DATABASE FOR COMPLETE PART INFORMATION.
2. PARTS TO BE CLEAN AND FREE OF CRACKS, FOREIGN MATTER. NO OIL OR LUBRICANTS ON THE SURFACE.
3. ALL DIMENSIONS SHOWN SHALL BE CHECKED AT FIRST ARTICLE INSPECTION.
4. REMOVE ALL BURRS AND SHARP EDGES.
5. FINISHED PRODUCT TO BE RoHS COMPLIANT.
6. TOLERANCE: $\pm 0.50\text{mm}$

DIMENSIONAL TOLERANCE			DRAWN	TITLE	CLIP			
DECIMAL PLACES	MILLIMETERS	INCHES			MATERIAL			
.	-	-	SIDNEY	CHECKED	SK7			
.X	-	-			FINISH			
.XX	-	-	CHRIS	APPROVED	ZINC PLATING			
UNLESS OTHERWISE SPECIFIED					CUS. PART NO.		CUS. REV.	
ANGULAR DIMENSIONS		THIRD ANGLE PROJECTION	CHRIS	PART NO.		REV.	SHEET	DATE
$\pm 1.0^\circ$				SCALE	UNIT	SIZE	2023-09-12	
2:1	mm	A4	CHRIS	JBABS4683	0	1 OF 1	2023-09-12	

