

1

2

3

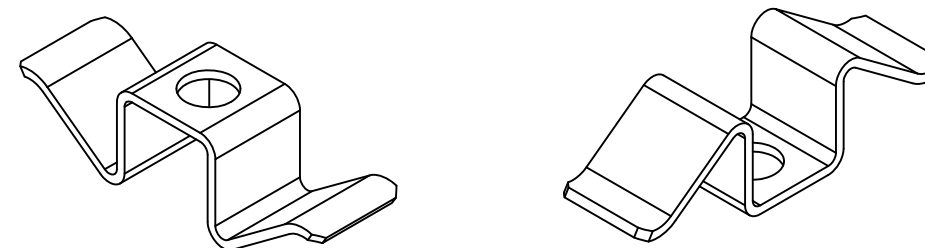
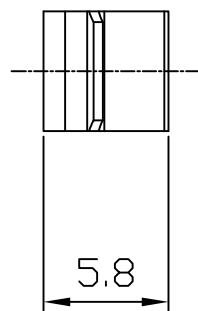
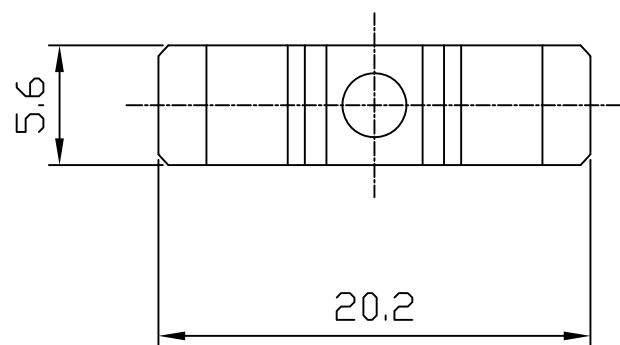
4

5

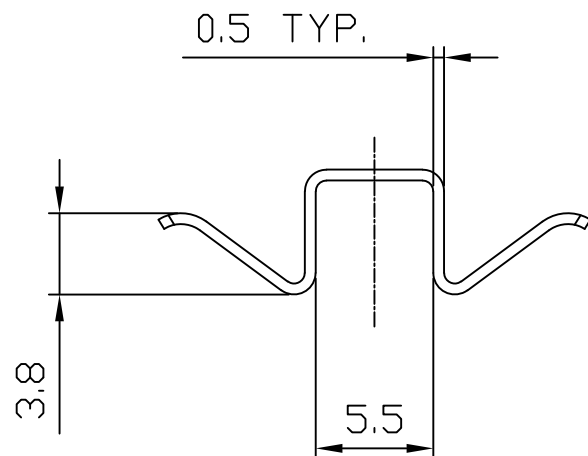
6

REVISIONS

REV.	COMMENT	DATE	APPROVED
0	INITIAL RELEASE	2023-09-12	CHRIS

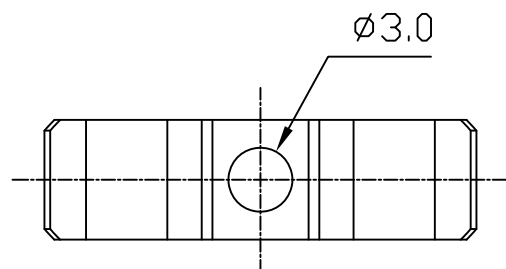



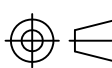
ISOMETRIC VIEW
SCALE 2:1



NOTES:

1. THIS DRAWING CONTAINS OVERALL DIMENSIONS ONLY.
REFER TO 3D CAD DATABASE FOR COMPLETE PART INFORMATION.
2. PARTS TO BE CLEAN AND FREE OF CRACKS, FOREIGN MATTER.
NO OIL OR LUBRICANTS ON THE SURFACE.
3. ALL DIMENSIONS SHOWN SHALL BE CHECKED AT FIRST ARTICLE INSPECTION.
4. REMOVE ALL BURRS AND SHARP EDGES.
5. FINISHED PRODUCT TO BE RoHS COMPLIANT.
6. TOLERANCE: ±0.50mm



DIMENSIONAL TOLERANCE			DRAWN	TITLE			
DECIMAL PLACES	MILLIMETERS	INCHES		CLIP			
.	-	-	SIDNEY	MATERIAL			SK7
.X	-	-		FINISH			
.XX	-	-	CHECKED	ZINC PLATING		CUS. PART NO.	
UNLESS OTHERWISE SPECIFIED			CHRIS	CUS. REV.			
ANGULAR DIMENSIONS		THIRD ANGLE PROJECTION 		APPROVED	PART NO.		REV.
± 1.0°			SCALE		UNIT	SIZE	
		2:1	mm	A4	CHRIS	1 OF 1	2023-09-12

1

2

3

4

5

6