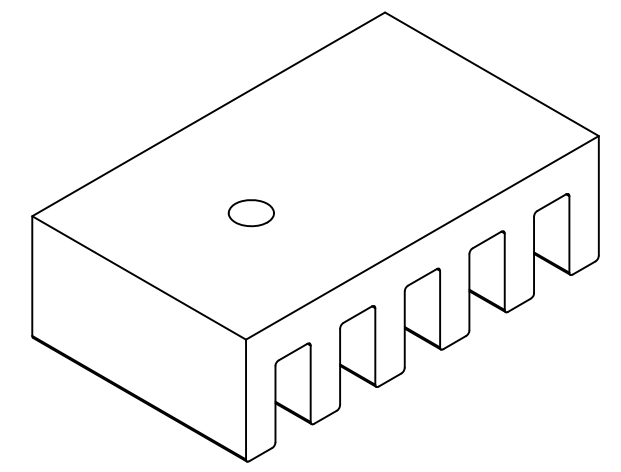
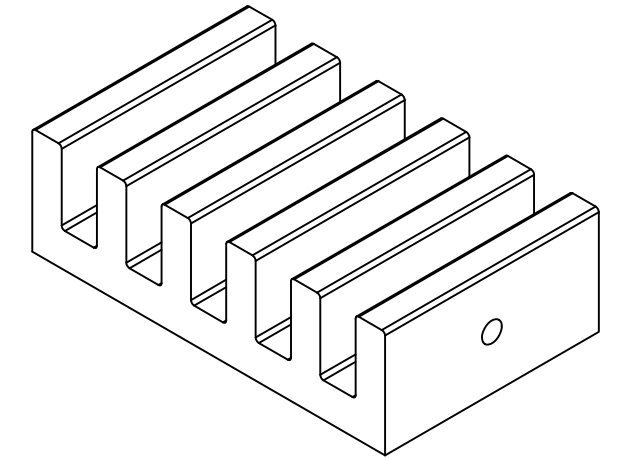
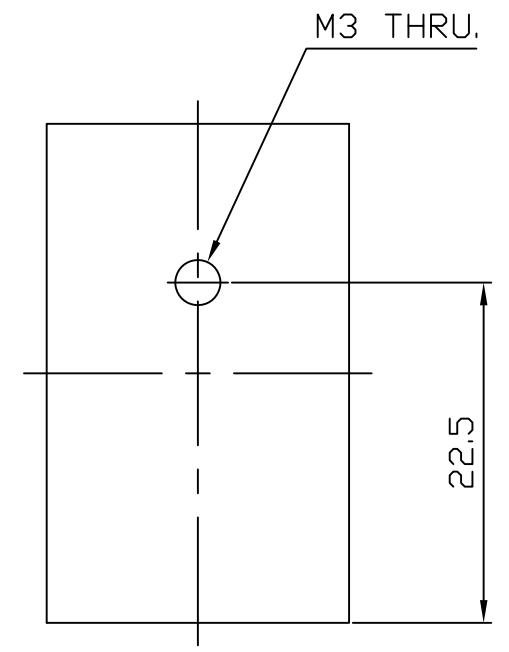
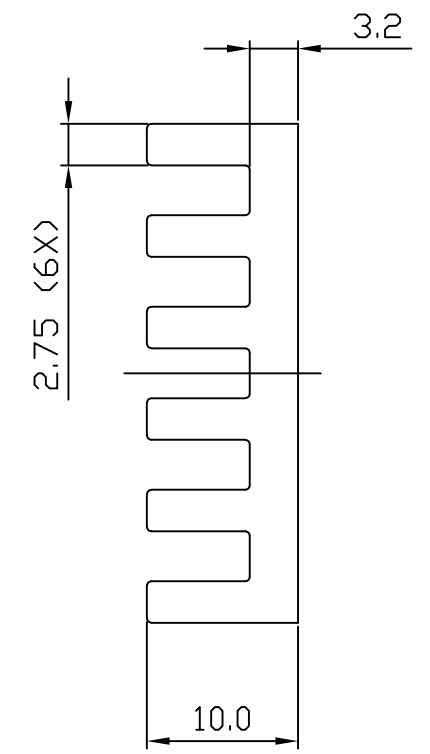
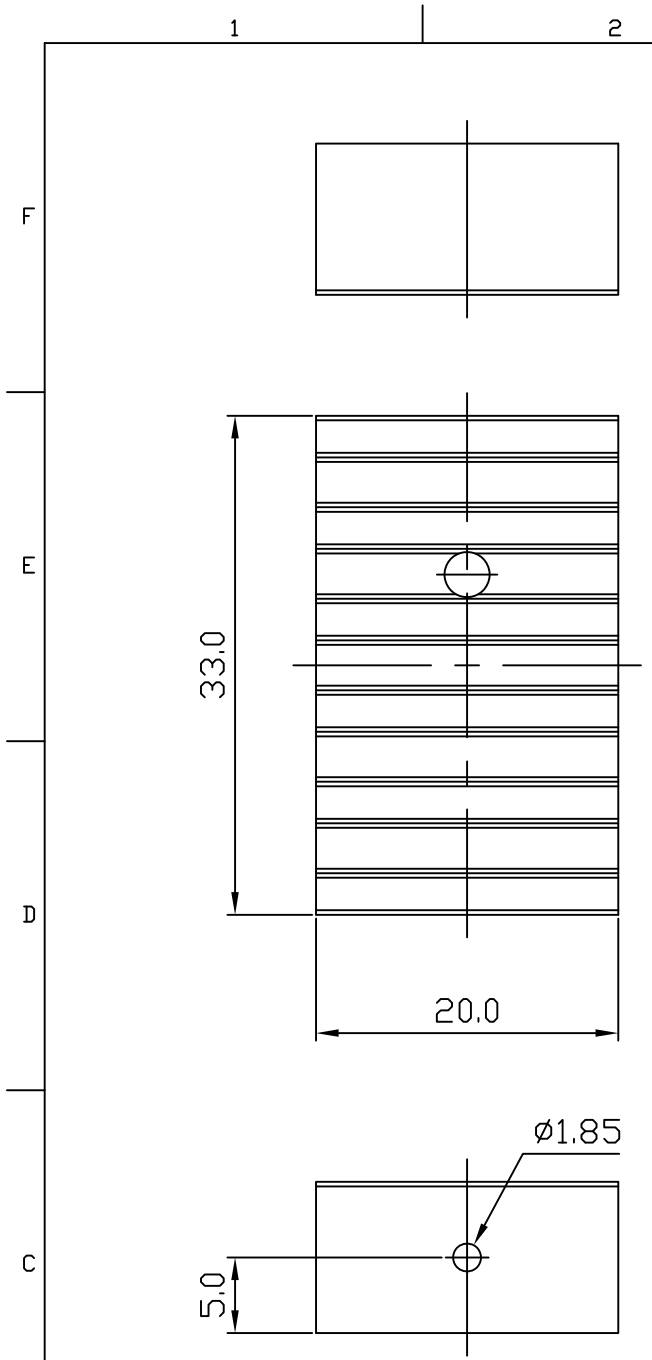
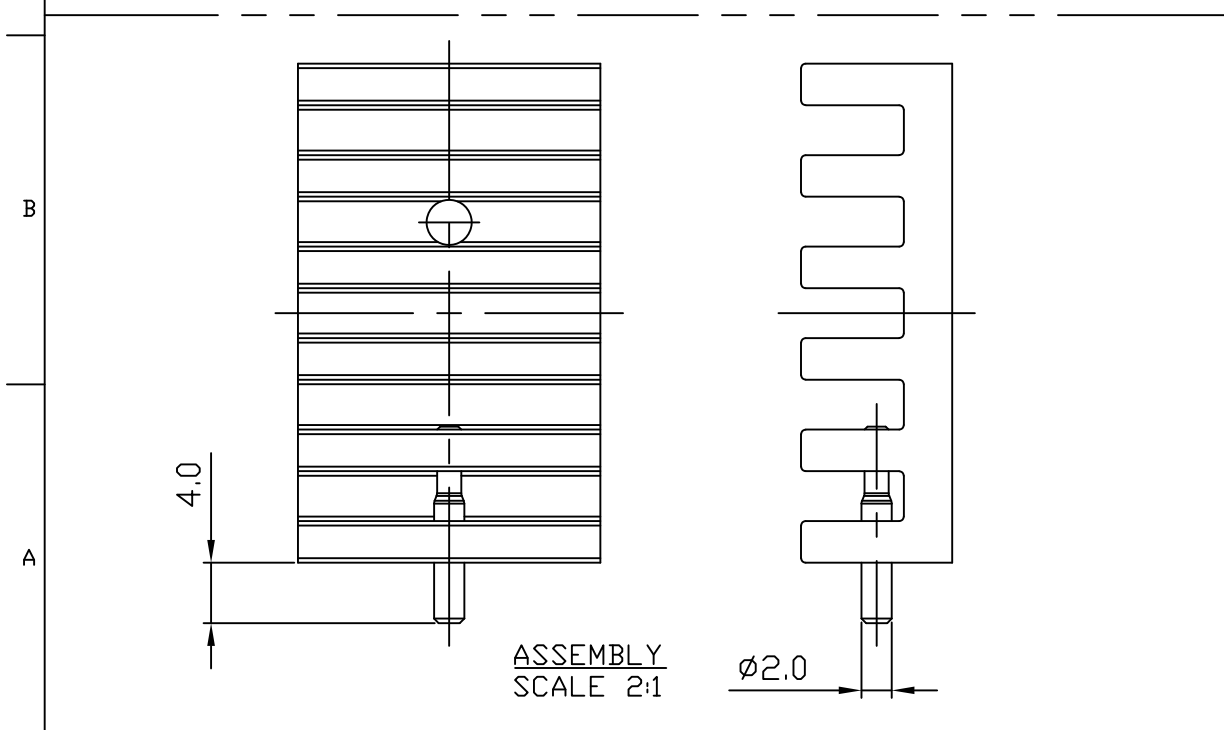


REVISIONS			
REV.	COMMENT	DATE	APPROVED
0	INITIAL RELEASE	2023-09-12	CHRIS



ISOMETRIC VIEW
SCALE 2:1



- NOTES:
1. THIS DRAWING CONTAINS OVERALL DIMENSIONS ONLY. REFER TO 3D CAD DATABASE FOR COMPLETE PART INFORMATION.
 2. PARTS TO BE CLEAN AND FREE OF CRACKS, FOREIGN MATTER. NO OIL OR LUBRICANTS ON THE SURFACE.
 3. ALL DIMENSIONS SHOWN SHALL BE CHECKED AT FIRST ARTICLE INSPECTION.
 4. REMOVE ALL BURRS AND SHARP EDGES.
 5. FINISHED PRODUCT TO BE RoHS COMPLIANT.
 6. TOLERANCE: $\pm 0.30\text{mm}$

DIMENSIONAL TOLERANCE			DRAWN	TITLE	
DECIMAL PLACES	MILLIMETERS	INCHES		EXTRUDED PC MOUNT HEAT SINK	
	-	-	SIDNEY	MATERIAL	
.X	-	-		AL 6063-T5	
.XX	-	-	CHECKED	FINISH	
UNLESS OTHERWISE SPECIFIED			CHRIS	BLACK ANODIZE	
ANGULAR DIMENSIONS		THIRD ANGLE PROJECTION		CUS. PART NO.	
$\pm 1.0^\circ$			APPROVED	CUS. REV.	
SCALE	UNIT	SIZE	CHRIS	PART NO.	REV.
2:1	mm	A3		JBHAE1791	0

SHEET	DATE
1 OF 1	2023-09-12

