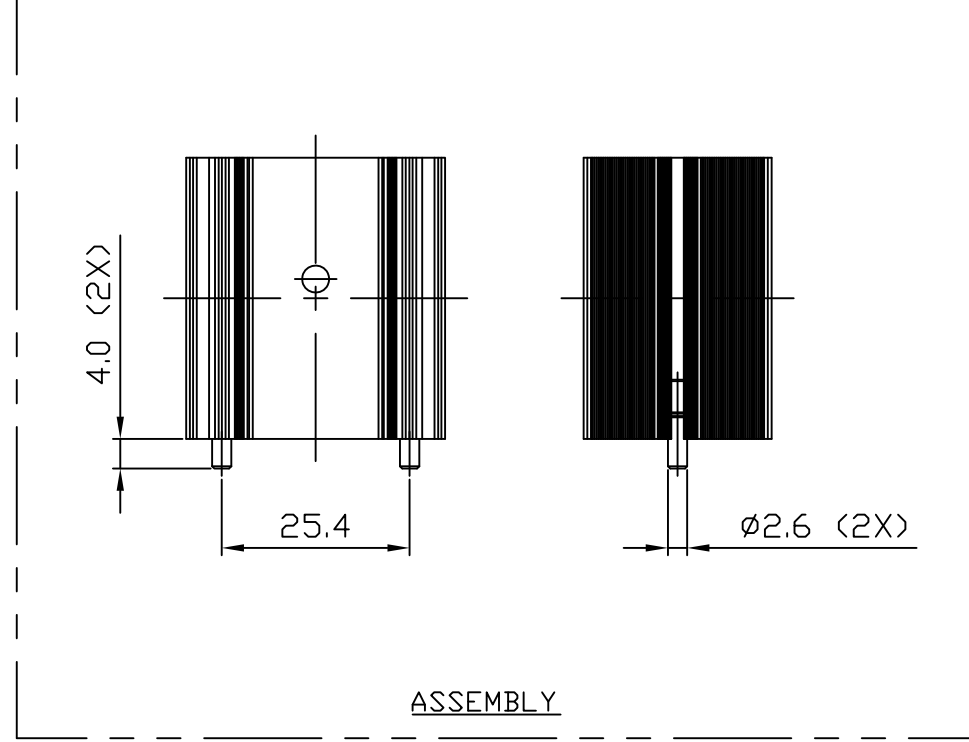
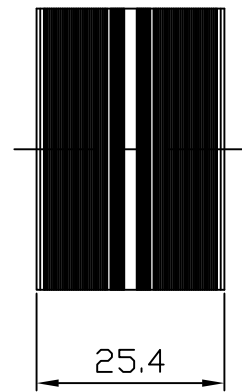
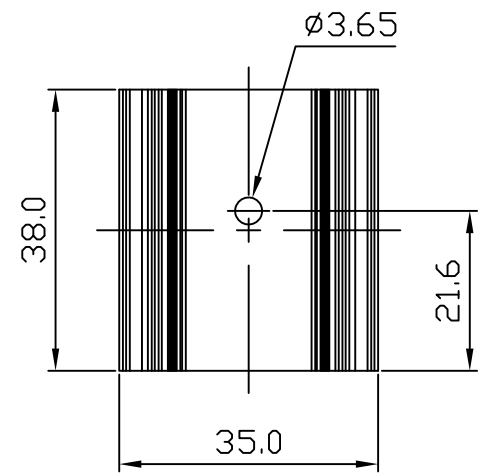
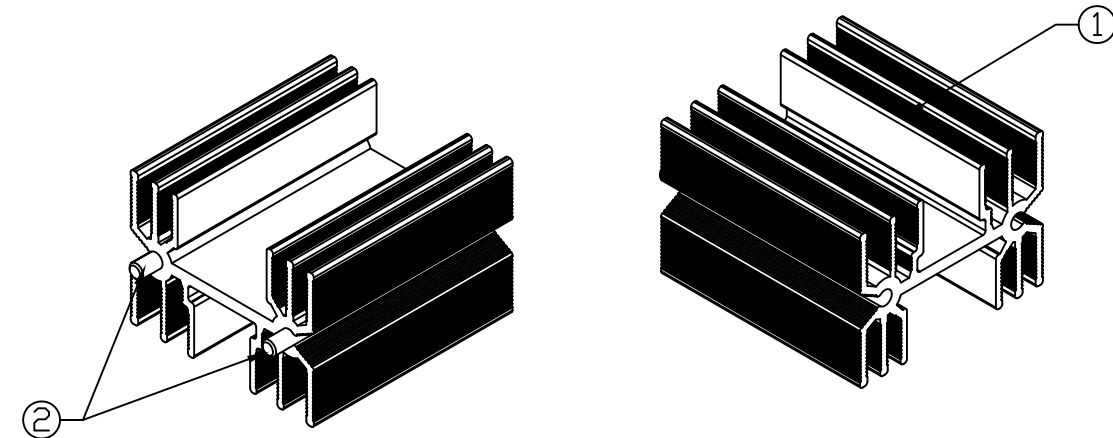
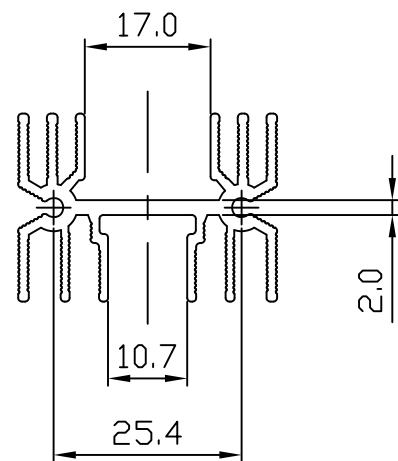


1 2 3 4 5 6 7 8

F  
E  
D  
C  
B



REVISIONS			
REV.	COMMENT	DATE	APPROVED
0	INITIAL RELEASE	2023-08-31	CHRIS



ISOMETRIC VIEW  
SCALE 1:1

- NOTES:
- THIS DRAWING CONTAINS OVERALL DIMENSIONS ONLY. REFER TO 3D CAD DATABASE FOR COMPLETE PART INFORMATION.
  - PARTS TO BE CLEAN AND FREE OF CRACKS, FOREIGN MATTER, NO OIL OR LUBRICANTS ON THE SURFACE.
  - ALL DIMENSIONS SHOWN SHALL BE CHECKED AT FIRST ARTICLE INSPECTION.
  - REMOVE ALL BURRS AND SHARP EDGES.
  - FINISHED PRODUCT TO BE RoHS COMPLIANT.
  - TOLERANCE:  $\pm 0.30\text{mm}$

DIMENSIONAL TOLERANCE		
DECIMAL PLACES	MILLIMETERS	INCHES
	-	-
.X	-	-
.XX	-	-
UNLESS OTHERWISE SPECIFIED		
ANGULAR DIMENSIONS	THIRD ANGLE PROJECTION	
$\pm 1.0^\circ$		
SCALE	UNIT	SIZE
1:1	mm	A3

2	2	PIN	CRS	FINISH: TIN PLATED
1	1	HEAT SINK	AL 6063-T5	FINISH: BLACK ANODIZE
ITEM	QTY.	DESCRIPTION	MATERIAL	REMARK
		DRAWN	TITLE EXTRUDED PC MOUNT HEAT SINK	
		CHECKED	MATERIAL SEE TABLE	
		APPROVED	FINISH SEE TABLE	
			CUS. PART NO.	CUS. REV.
			PART NO. JBHAE0361	REV. 0
			SHEET 1 OF 1	DATE 2023-08-31



1 2 3 4 5 6 7 8