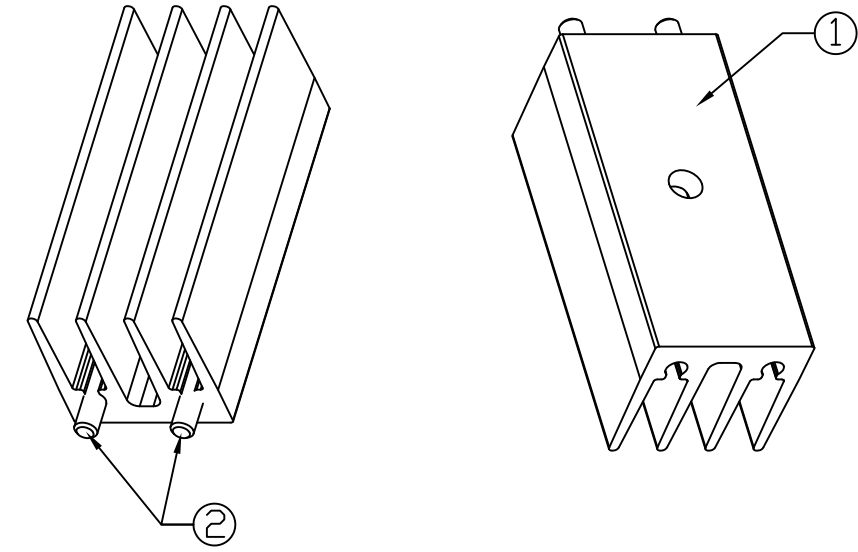
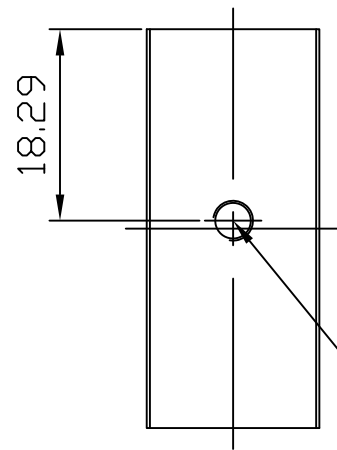
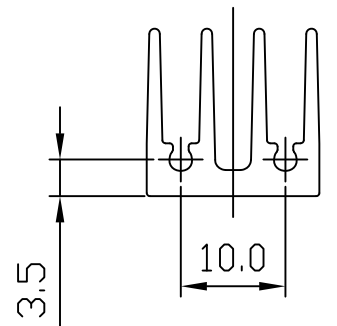


REVISIONS			
REV.	COMMENT	DATE	APPROVED
0	INITIAL RELEASE	2023-07-24	CHRIS



ISOMETRIC VIEW  
SCALE 1:1



#6-32 UNC  
THRU.

- NOTES:
- THIS DRAWING CONTAINS OVERALL DIMENSIONS ONLY. REFER TO 3D CAD DATABASE FOR COMPLETE PART INFORMATION.
  - PARTS TO BE CLEAN AND FREE OF CRACKS, FOREIGN MATTER. NO OIL OR LUBRICANTS ON THE SURFACE.
  - ALL DIMENSIONS SHOWN SHALL BE CHECKED AT FIRST ARTICLE INSPECTION.
  - REMOVE ALL BURRS AND SHARP EDGES.
  - FINISHED PRODUCT TO BE RoHS COMPLIANT.
  - TOLERANCE:  $\pm 0.30\text{mm}$

ITEM	QTY.	DESCRIPTION	MATERIAL	REMARK
2	2	PIN	CRS	FINISH: TIN PLATED
1	1	HEAT SINK	AL 6063-T5	FINISH: BLACK ANODIZE

DIMENSIONAL TOLERANCE		
DECIMAL PLACES	MILLIMETERS	INCHES
.	-	-
.X	-	-
.XX	-	-
UNLESS OTHERWISE SPECIFIED		
ANGULAR DIMENSIONS	THIRD ANGLE PROJECTION	
$\pm 1.0^\circ$		
SCALE	UNIT	SIZE
1:1	mm	A4

DRAWN  
SIDNEY  
CHECKED  
CHRIS  
APPROVED  
CHRIS

TITLE  
EXTRUDED PC MOUNT  
HEAT SINK  
MATERIAL  
SEE TABLE  
FINISH  
SEE TABLE  
CUS. PART NO.  
CUS. REV.  
PART NO.  
JBHAE5302  
REV.  
0



SHEET	DATE
1 OF 1	2023-07-24