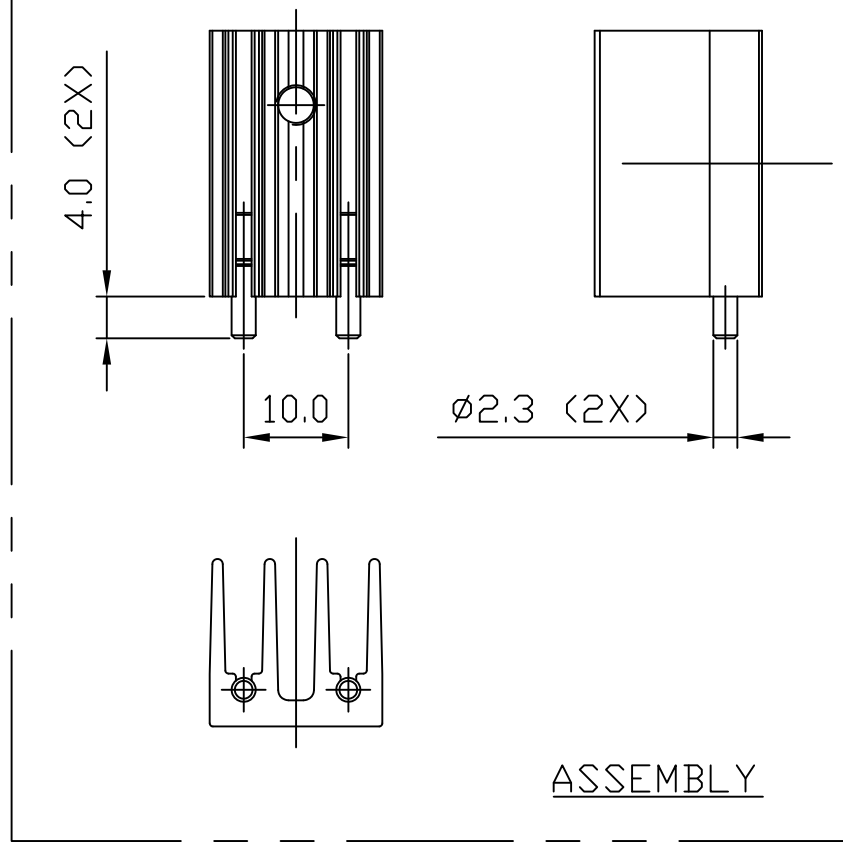
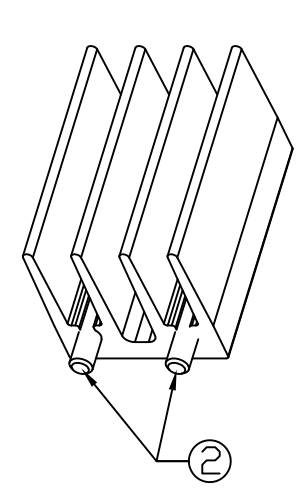


#6-32 UNC THRU.



ASSEMBLY

| REVISIONS | | | |
|-----------|-----------------|------------|----------|
| REV. | COMMENT | DATE | APPROVED |
| 0 | INITIAL RELEASE | 2023-07-24 | CHRIS |



ISOMETRIC VIEW
SCALE 1:1

- NOTES:
- THIS DRAWING CONTAINS OVERALL DIMENSIONS ONLY. REFER TO 3D CAD DATABASE FOR COMPLETE PART INFORMATION.
 - PARTS TO BE CLEAN AND FREE OF CRACKS, FOREIGN MATTER. NO OIL OR LUBRICANTS ON THE SURFACE.
 - ALL DIMENSIONS SHOWN SHALL BE CHECKED AT FIRST ARTICLE INSPECTION.
 - REMOVE ALL BURRS AND SHARP EDGES.
 - FINISHED PRODUCT TO BE RoHS COMPLIANT.
 - TOLERANCE: $\pm 0.30\text{mm}$

| ITEM | QTY. | DESCRIPTION | MATERIAL | REMARK |
|------|------|-------------|------------|-----------------------|
| 2 | 2 | PIN | CRS | FINISH: TIN PLATED |
| 1 | 1 | HEAT SINK | AL 6063-T5 | FINISH: BLACK ANODIZE |

| DIMENSIONAL TOLERANCE | | |
|----------------------------|------------------------|--------|
| DECIMAL PLACES | MILLIMETERS | INCHES |
| . | - | - |
| .X | - | - |
| .XX | - | - |
| UNLESS OTHERWISE SPECIFIED | | |
| ANGULAR DIMENSIONS | THIRD ANGLE PROJECTION | |
| $\pm 1.0^\circ$ | | |
| SCALE | UNIT | SIZE |
| 1:1 | mm | A4 |

DRAWN
SIDNEY
CHECKED
CHRIS
APPROVED
CHRIS

TITLE EXTRUDED PC MOUNT HEAT SINK
MATERIAL SEE TABLE
FINISH SEE TABLE
CUS. PART NO.
CUS. REV.
PART NO. JBHAE5301
REV. 0



SHEET 1 OF 1
DATE 2023-07-24