



We Keep the World Cool™

JARO Thermal is a recognized leader in the electronic thermal management field.

For more than 39 years, JARO has developed a broad range of unique, cutting-edge cooling technologies designed to extend the life of electronic components for many different industries. Our commitment to product, people and technological innovation will advance our quest for superior products and services to deliver the quality our customers require.

OUR CERTIFICATIONS



Trusted by





Table of Contents

DC Fan Series

DC Fan Series

SLIM-LINE BLOWER

Size (mm)	Airflow (CFM)	Page	Size (mm)	Airflow (CFM)	Page	Size (mm)	Airflow (CFM)	Page
25x25x10	0.52 - 2.41	1	92x92x25	39.2 - 81.0	37	17x17x3.2	0.24	59
30x30x10	2.99 - 5.65	2	92x92x38	97.1 - 166.4	38	20x20x3.2	0.33	60
35x35x10	2.10 - 6.30	3	120x120x25	40.6 - 85.5	39	30x30x3.2	0.7	61
38x38x20	6.30 - 10.60	4	120x120x25	111.2 - 125.4	40	30x30x4	0.76	62
38x38x28	9.44 - 20.80	5	120x120x25	67.7 - 121.1	41	55x50x5.25	1.29	63
40x40x10	4.75 - 12.23	6	120x120x25	62.4 - 133.0	42	59.3x55.6x5.6	3.47	64
40x40x15	6.71 - 10.45	7	120x120x38	101.4 - 178.4	43	61.8x57.3x5.6	2.68	65
40x40x20	6.7 - 11.0	8	120x120x38	114.7 - 178.4	44	63x63x4	2.15	66
40x40x20	7.4 - 11.1	9	120x120x38	190.5 - 241.0	45	87x74.5x5.5	5.7	67
40x40x20	9.4 - 19.8	10	120x120x38	171.4 - 265.8	46	89.1x83.8x4.7	3.91	68
40x40x28	13.8 - 23.8	11	172x150x51	263.0 - 472.5	47			
40x40x28	15.2 - 21.3	12	172x150x51	310.6 - 410.5	48			
40x40x28	23.5 - 28.0	13	Φ254x89	595.0 - 747.0	49			
40x40x28	29.5 - 31.3	14						
40x40x56	37.21	15						
50x50x10	6.7 - 12.7	16						
50x50x15	9.9 - 17.0	17						
50x50x20	10.1 - 20.3	18						
60x60x10	14.3 - 19.9	19						
60x60x15	15.0 - 26.5	20						
60x60x20	13.5 - 19.6	21						
60x60x25	14.1 - 34.8	22						
60x60x25	17.1 - 55.5	23						
60x60x38	43.1 - 67.5	24						
60x60x56	45.76 - 53.82	25						
70x70x15	21.1 - 33.5	26						
70x70x25	30.0 - 54.8	27						
80x80x15	22.0 - 45.2	28						
80x80x20	27.4 - 51.2	29						
80x80x25	47.5 - 83.6	30						
80x80x25	31.8 - 74.3	31						
80x80x25	34.6 - 61.2	32						
80x80x32	38.2 - 89.2	33						
80x80x38	58.2 - 130.0	34						
80x80x56	54.1 - 62.2	35						
92x92x25	37.0 - 76.1	36						

Size (mm)	Airflow (CFM)	Page
17x17x3.2	0.24	59
20x20x3.2	0.33	60
30x30x3.2	0.7	61
30x30x4	0.76	62
55x50x5.25	1.29	63
59.3x55.6x5.6	3.47	64
61.8x57.3x5.6	2.68	65
63x63x4	2.15	66
87x74.5x5.5	5.7	67
89.1x83.8x4.7	3.91	68

Size (mm)	Airflow (CFM)	Page
80x80x25	22.0 / 25.0	69
80x80x38	26.0 / 31.0	70
92x92x25	30.0 / 35.0	71
120x120x38	91 / 105	72
172x150x51	180 / 198	73

Size (mm)	Airflow (CFM)	Page
Φ133x80.5	210.9	74
Φ175x69	345.7	75
Φ190x67	358.2	76
Φ220x76	645.8	77
Φ225x99	703.7	78
Φ250x92	716.5	79
Φ280x99	210.9	80
Φ315x161	1674.59	81
Φ355x167.4	1435.37	82
Φ403x167	1687.77	83

Size (mm)	Airflow (CFM)	Page
51x51x15	2.5 - 5.3	50
50x50x20	6.1 - 8.0	51
60x60x15	2.4 - 4.6	52
60x60x25	5.5 - 12.8	53
75x77x15	74 - 11.9	54
75x76x30	10.9 - 21.4	55
97x94x33	16.3 - 28.8	56
97x97x33	24.2 - 45.6	57
120x120x32	24.6 - 37.5	58



Part Number Definition

JC	D	025	10	12	H	B	1	A	0E
1	2	3	4	5	6	7	8	9	10

1. SERIES CODE :

JC , JD , JE , JH , JK , JP , JS , JT , JW , JX

2. Product code :

A = AC FAN , B = BLOWER , C = CHIP COOLER , D = DC AXIAL FAN ,
Y = BRACKET FAN.

3. FRAME LENGTH :

025 = 25mm , 030 = 30 mm , 035 = 35 mm

4. FRAME THICKNESS :

10 = 10 mm , 15 = 15 mm , 20 = 20 mm , 25 = 25 mm , 38 = 38 mm

5. VOLTAGE:

05 = DC 5V , 12 = DC 12V , 24 = DC 24V , 48 = DC 48V , 11 = 110VAC , 22 = 220VAC.

6. SPEED (RPM) :

W = Super High Speed → V = Ultra High Speed → U = Extra High Speed →
H = High Speed → M = Medium Speed → L = Low Speed → J = Extra Low Speed
→ I = Ultra Low Speed

7. BEARING : A = AFB , B = Two Ball ; S = Sleeve , X = Hydraulic ; F = FDB

8. FUNCTION: 1 = Locked Rotor protection by IC (2-wires) ,

2 = 3-wires with RD signal , 3 = 3-wires with FG signal , 9 = 3-wires with PWM ,
B = 4-wires with PWM + FG , F = 4-wires with PWM + RD

9. ENVIRONMENTAL STANDARD :

A = LF (RoHS compliant) , B = HF (consistent with halogen-free specification).

10. SERIES CODE :

01 ~ 09 ; 0A ~ 0Z ; 11~1Z , ... , Z1 ~ ZZ

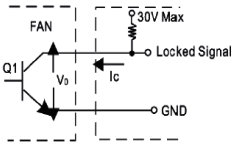


Lead Wire Design FUNCTION

2 = 3-wires with RD signal

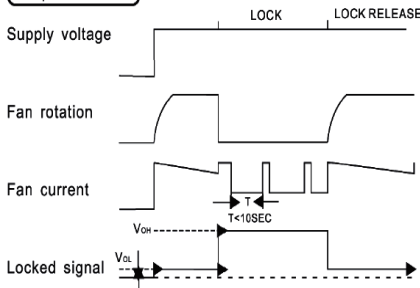
Output of locked signal

*Output type.....Open collector type
*Electrical specification:



*Transistor Q1 at "ON" position
Collector current..... $I_c=10\text{mA Max}$
Saturation Voltage..... $V_{ce}=1.0\text{V Max}$
(Between Collector and Emitter at $I_c=10\text{mA}$)
*Transistor Q1 at "OFF" position
Release Voltage..... $V_{oh}=30\text{V Max}$

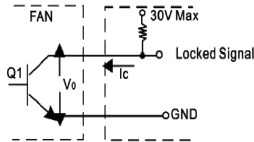
Output waveform



3 = 3-wires with FG signal

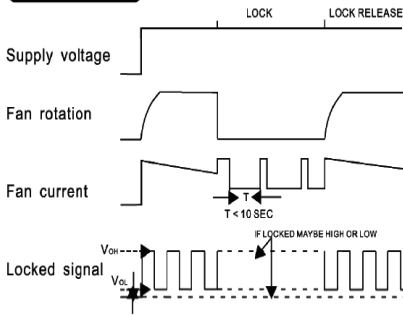
Output of locked signal

*Output type.....Open collector type
*Electrical design suggestion:



*Transistor Q1 at "ON" position
Collector current..... $I_c=10\text{mA Max}$
Saturation Voltage..... $V_{ce}=1.0\text{V Max}$
(Between Collector and Emitter at $I_c=10\text{mA}$)
*Transistor Q1 at "OFF" position
Release Voltage..... $V_{oh}=30\text{V Max}$

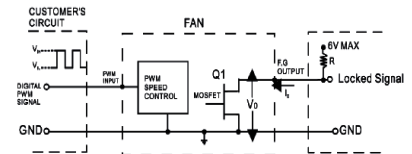
Output waveform



9 = 3-wires with PWM

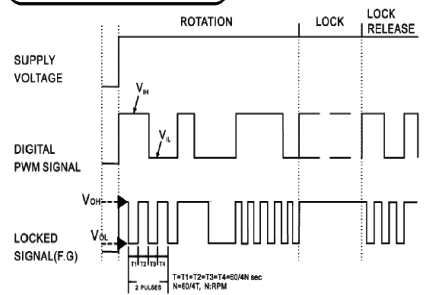
PROVISION OF DIGITAL PWM SPEED CONTROL & LOCKED SIGNAL(F.G)

*OUTPUT OF LOCKED SIGNAL.....OPEN DRAIN TYPE
*Electrical specification:



*MOSFET Q1 at "ON" POSITION
DRAIN CURRENT..... $I_d=10\text{mA Max}$
SATURATION VOLTAGE..... $V_{ce}=0.5\text{V Max}$
*MOSFET Q1 at "OFF" POSITION
RELEASE VOLTAGE..... $V_{ce}=6\text{V Max}$
*DIGITAL PWM SPEED CONTROL POSITION
PWM INPUT VOLTAGE HIGH..... $V_{in}=6\text{V Max}$
PWM INPUT VOLTAGE LOW..... $V_{in}=0.5\text{V Max}$

INPUT & OUTPUT WAVEFORM

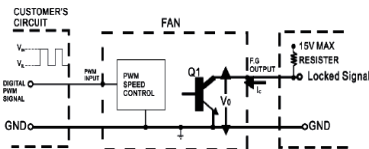


B = 4-wires with PWM + FG

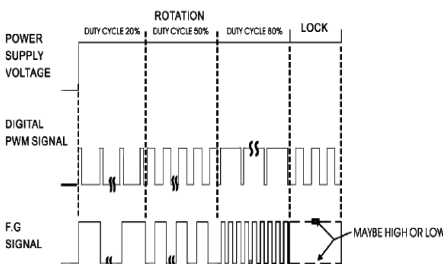
PROVISION OF DIGITAL PWM SPEED CONTROL & LOCKED SIGNAL(F.G)

Output of locked signal.....OPEN COLLECTOR TYPE

(External signal function design is decided by customer)



*TRANSISTOR Q1 AT "ON" POSITION
COLLECTOR CURRENT..... $I_c=10\text{mA Max}$
SATURATION VOLTAGE..... $V_{ce}=1\text{V Max}$
*TRANSISTOR Q1 AT "OFF" POSITION
RELEASE VOLTAGE..... $V_{oh}=15\text{V Max}$
*DIGITAL PWM SPEED CONTROL POSITION
PWM INPUT VOLTAGE HIGH..... $V_{in}=5.5\text{V Max}$
PWM INPUT VOLTAGE LOW..... $V_{in}=0.5\text{V Max}$
*PWM INPUT FREQUENCY..... $F_{PWM}=1\text{KHZ}-30\text{KHZ}$



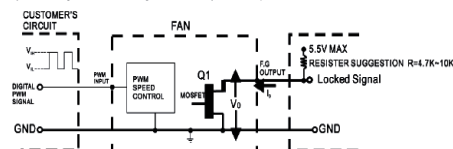
F = 4-wires with PWM + RD

PROVISION OF DIGITAL PWM SPEED CONTROL & LOCKED SIGNAL(F.G)

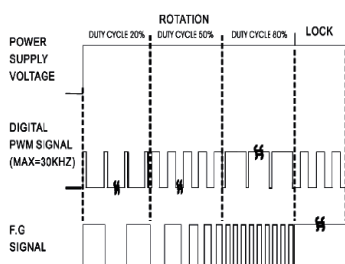
Output of locked signal.....OPEN DRAIN TYPE

*Electrical design suggestion: $R=4.7\text{K}-10\text{K}$

(External signal function design is decided by customer)



*MOSFET Q1 AT "ON" POSITION
DRAIN CURRENT..... $I_d=10\text{mA Max}$
SATURATION VOLTAGE..... $V_{ce}=0.5\text{V Max}$
*MOSFET Q1 AT "OFF" POSITION
RELEASE VOLTAGE..... $V_{ce}=5.5\text{V Max}$
*DIGITAL PWM SPEED CONTROL POSITION
PWM INPUT VOLTAGE HIGH..... $V_{in}=5.5\text{V Max}$
PWM SINK CURRENT..... $10\mu\text{A (MAX)}$
*PWM INPUT FREQUENCY..... $F_{PWM}=30\text{KHZ (MAX)}$



*All models can be customized. Please contact your JARO representative for further information.

*Specs are subject to change without notice. Please visit JARO website at <https://jarothermal.com> for update information.



DC FAN



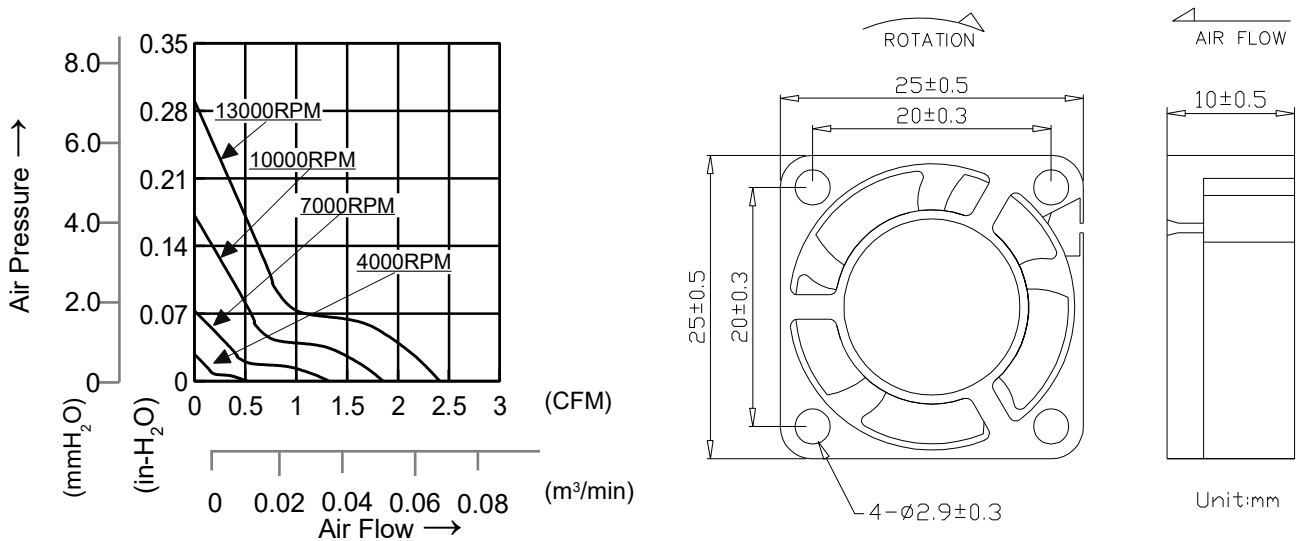
25x25x10mm

- MOTOR : DC single phase brushless motor
- FRAME : PBT (94V-0) ; IMPELLER : PBT(94V-0)
- OPERATING TEMP.: -10°C~70°C
- STORAGE TEMP.: -40°C~70°C
- WEIGHT : 8g



JARO Part Number	*Bearing System	Rated Voltage V	Rated Current A	Rated Speed RPM	Maximum Air Flow		Maximum Static Pressure		Sound Level dBA
					m ³ /min	CFM	mm-H ₂ O	In-H ₂ O	
JCD0251005J 1A0E	B / F	5	0.04	4000	0.01	0.52	0.76	0.03	10
JCD0251005L 1A0E	B / F	5	0.05	7000	0.04	1.32	1.9	0.07	20
JCD0251005M 1A0E	B / F	5	0.07	10000	0.05	1.85	4.4	0.17	24
JCD0251005H 1A0E	B / F	5	0.22	13000	0.07	2.41	7.3	0.29	28
JCD0251012L 1A0E	B / F	12	0.05	7000	0.04	1.32	1.9	0.07	20
JCD0251012M 1A0E	B / F	12	0.06	10000	0.05	1.85	4.4	0.17	24
JCD0251012H 1A0E	B / F	12	0.08	13000	0.07	2.41	7.3	0.29	28
JCD0251024H 1A0E	B / F	24	0.07	13000	0.07	2.41	7.3	0.29	28

*Bearing system B:two ball bearing F:fluid bearing



*All models can be customized. Please contact your JARO representative for further information.

*Specs are subject to change without notice. Please visit JARO website at <https://jarothermal.com> for update information.



DC FAN



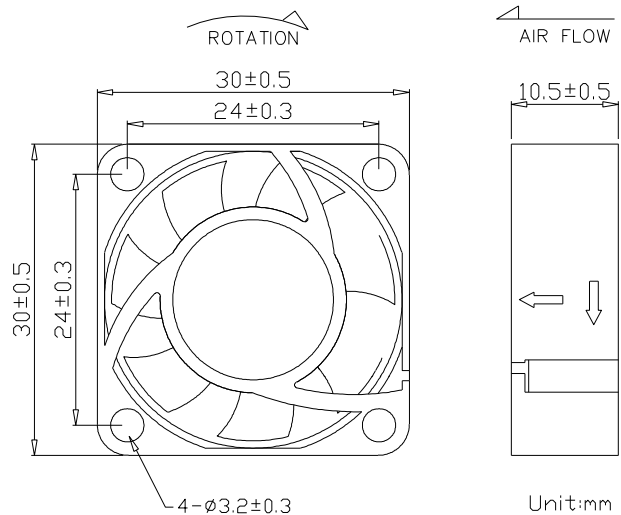
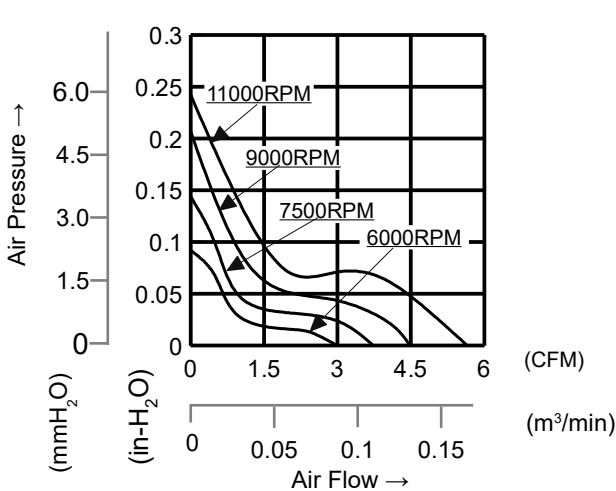
30x30x10mm

- MOTOR : DC single phase brushless motor
- FRAME : PBT (94V-0) ; IMPELLER : PBT(94V-0)
- OPERATING TEMP.: -10°C~70°C
- STORAGE TEMP.: -40°C~70°C
- WEIGHT : 10g



JARO Part Number	*Bearing System	Rated Voltage V	Rated Current A	Rated Speed RPM	Maximum Air Flow		Maximum Static Pressure		Sound Level dBA
					m ³ /min	CFM	mm-H ₂ O	In-H ₂ O	
JCD0301005L_1A0E	B / F	5	0.06	6000	0.08	2.99	2.33	0.09	17
JCD0301005M_1A0E	B / F	5	0.08	7500	0.11	3.73	3.65	0.14	24
JCD0301005H_1A0E	B / F	5	0.10	9000	0.13	4.48	5.25	0.21	29
JCD0301005U_1A0E	B / F	5	0.14	11000	0.16	5.65	6.15	0.24	31
JCD0301012L_1A0E	B / F	12	0.03	6000	0.08	2.99	2.33	0.09	17
JCD0301012M_1A0E	B / F	12	0.05	7500	0.11	3.73	3.65	0.14	24
JCD0301012H_1A0E	B / F	12	0.07	9000	0.13	4.48	5.25	0.21	29
JCD0301012U_1A0E	B / F	12	0.09	11000	0.16	5.65	6.15	0.24	31

*Bearing system B:two ball bearing F:fluid bearing

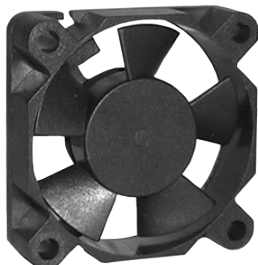


*All models can be customized. Please contact your JARO representative for further information.

*Specs are subject to change without notice. Please visit JARO website at <https://jarothermal.com> for update information.



DC FAN



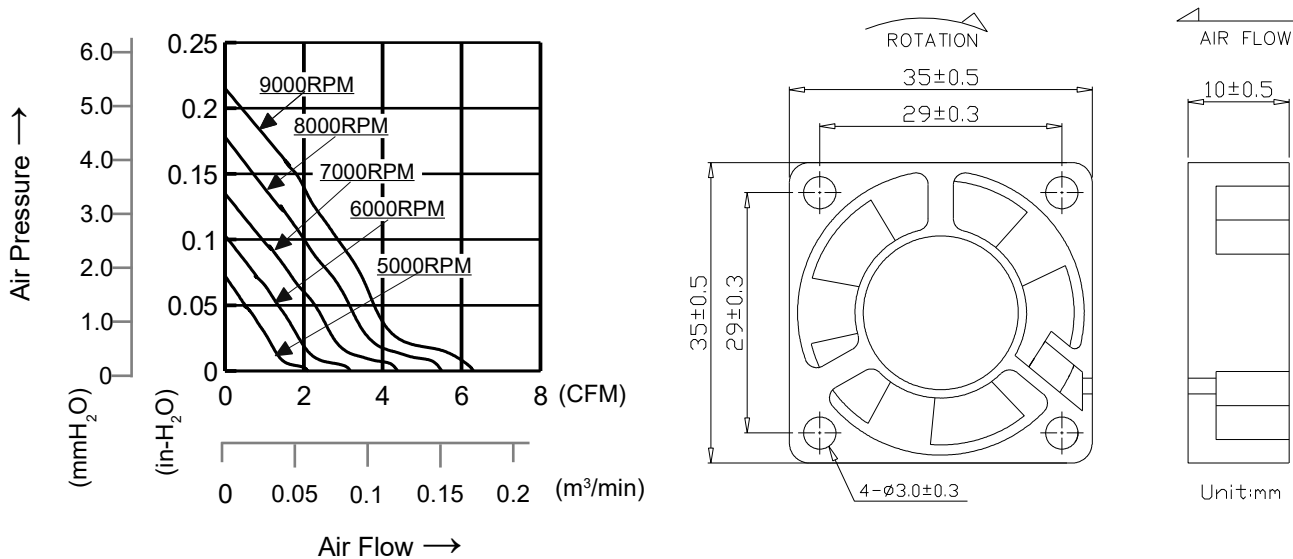
35x35x10mm

- MOTOR : DC single phase brushless motor
- FRAME : PBT (94V-0) ; IMPELLER : PBT(94V-0)
- OPERATING TEMP.: -10°C~70°C
- STORAGE TEMP.: -40°C~70°C
- WEIGHT : 11g



JARO Part Number	*Bearing System	Rated Voltage	Rated Current	Rated Speed	Maximum Air Flow		Maximum Static Pressure		Sound Level
	B / F	V	A	RPM	m ³ /min	CFM	mm-H ₂ O	In-H ₂ O	dBA
JCD0351005MB1A0E	B	5	0.05	5000	0.06	2.10	1.77	0.07	18
JCD0351005HB1A0E	B	5	0.06	6000	0.09	3.17	2.54	0.10	20
JCD0351005UB1A0E	B	5	0.07	7000	0.12	4.37	3.55	0.14	23
JCD0351005VB1A0E	B	5	0.04	8000	0.16	5.51	4.57	0.18	25
JCD0351005WB1A0E	B	5	0.10	9000	0.18	6.30	5.58	0.22	28
JCD0351012UB1A0E	B	12	0.03	7000	0.12	4.37	3.55	0.14	23
JCD0351012VB1A0E	B	12	0.04	8000	0.16	5.51	4.57	0.18	25
JCD0351012WB1A0E	B	12	0.07	9000	0.18	6.30	5.58	0.22	28

*Bearing system B:two ball bearing



*All models can be customized. Please contact your JARO representative for further information.

*Specs are subject to change without notice. Please visit JARO website at <https://jarothermal.com> for update information.



DC FAN



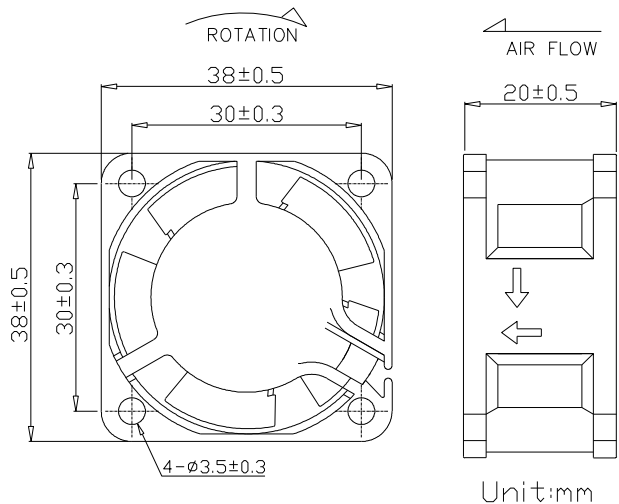
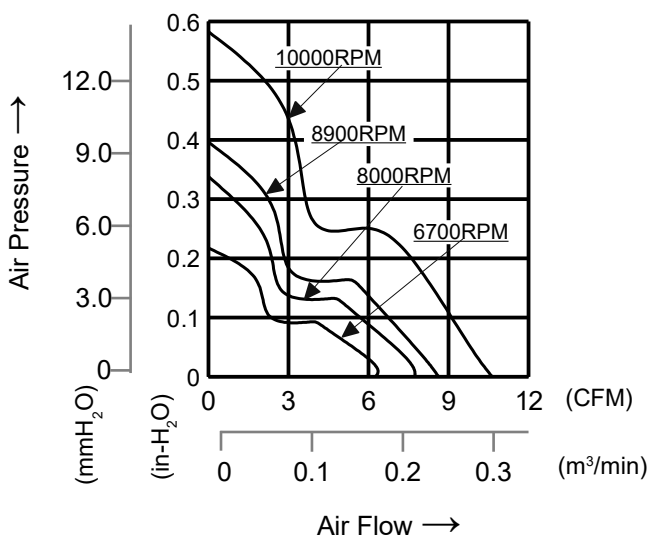
38x38x20mm

- MOTOR : DC single phase brushless motor
- FRAME : PBT (94V-0) ; IMPELLER : PBT(94V-0)
- OPERATING TEMP.: -10°C~70°C
- STORAGE TEMP.: -40°C~70°C
- WEIGHT : 31g



JARO Part Number	*Bearing System	Rated Voltage	Rated Current	Rated Speed	Maximum Air Flow		Maximum Static Pressure		Sound Level
	B / F	V	A	RPM	m ³ /min	CFM	mm-H ₂ O	In-H ₂ O	dBA
JCD0382012LB1A0E	B	12	0.10	6700	0.18	6.3	5.50	0.22	36
JCD0382012MB1A0E	B	12	0.12	8000	0.22	7.4	8.60	0.34	40
JCD0382012HB1A0E	B	12	0.13	8900	0.24	8.6	9.90	0.39	42
JCD0382012UB1A0E	B	12	0.30	10000	0.28	9.7	14.80	0.58	43
JCD0382024LB1A0E	B	24	0.07	6700	0.18	6.5	5.50	0.22	36
JCD0382024MB1A0E	B	24	0.07	8000	0.22	7.8	8.60	0.34	40
JCD0382024HB1A0E	B	24	0.09	8900	0.24	8.6	9.90	0.39	42
JCD0382024UB1A0E	B	24	0.17	10000	0.30	10.6	14.80	0.58	43

*Bearing system B:two ball bearing



*All models can be customized. Please contact your JARO representative for further information.

*Specs are subject to change without notice. Please visit JARO website at <https://jarothermal.com> for update information.



DC FAN



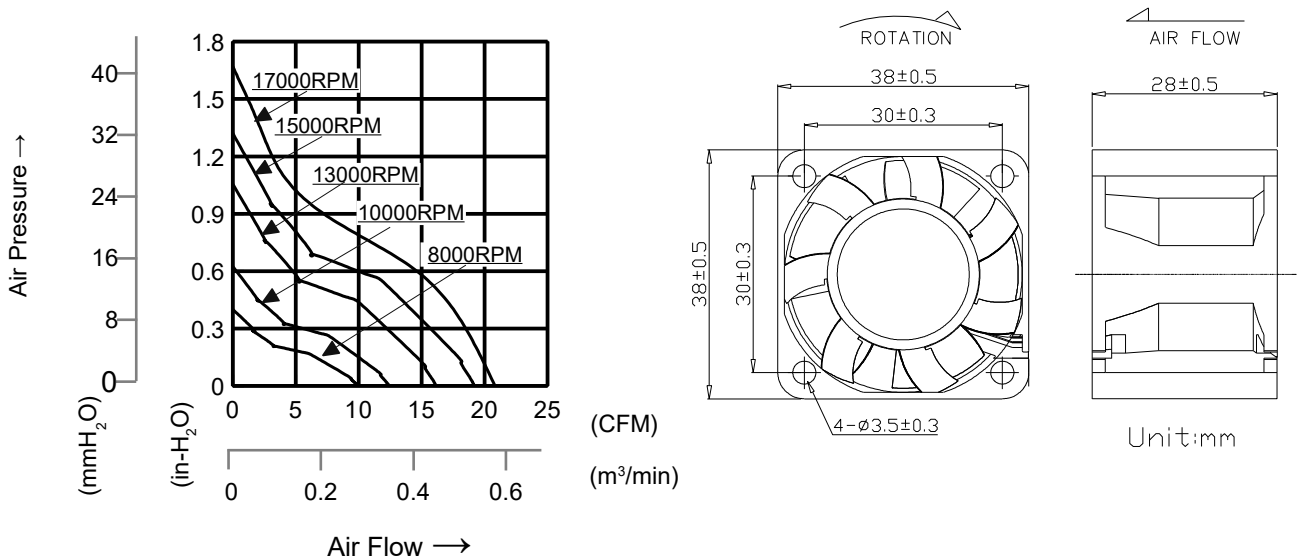
38x38x28mm

- MOTOR : DC single phase brushless motor
- FRAME : PBT (94V-0) ; IMPELLER : PBT(94V-0)
- OPERATING TEMP.: -10°C~70°C
- STORAGE TEMP.: -40°C~70°C
- WEIGHT : 31g



JARO Part Number	*Bearing System	Rated Voltage	Rated Current	Rated Speed	Maximum Air Flow		Maximum Static Pressure		Sound Level
	B / F	V	A	RPM	m ³ /min	CFM	mm-H ₂ O	In-H ₂ O	dBa
JCD0382812LB1A0B	B	12	0.11	8000	0.26	9.44	10.02	0.39	38
JCD0382812MB1A0B	B	12	0.15	10000	0.35	12.46	12.46	0.63	44
JCD0382812HB1A0B	B	12	0.29	13000	0.46	16.30	25.91	1.02	51
JCD0382812UB1A0B	B	12	0.48	15000	0.54	19.16	34.71	1.37	55
JCD0382812VB1A0B	B	12	0.85	17000	0.59	20.80	42.41	1.67	59

*Bearing system B:two ball bearing



*All models can be customized. Please contact your JARO representative for further information.

*Specs are subject to change without notice. Please visit JARO website at <https://jarothermal.com> for update information.



DC FAN



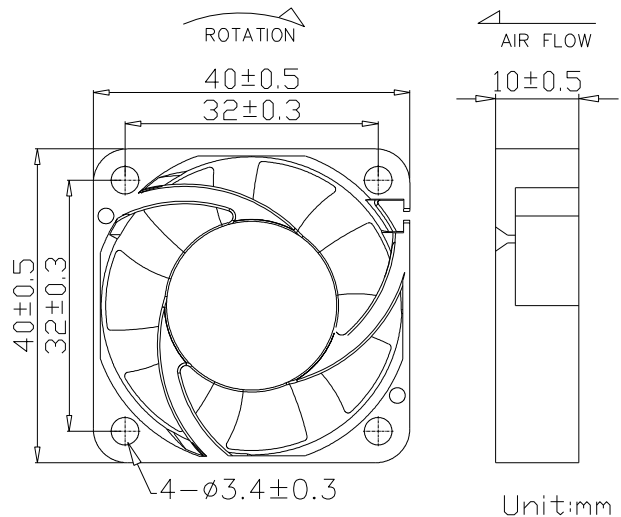
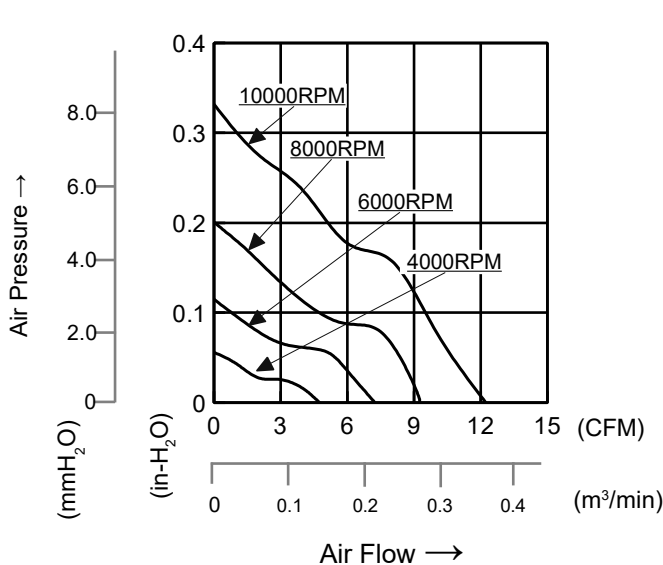
40x40x10mm

- MOTOR : DC single phase brushless motor
- FRAME : PBT (94V-0) ; IMPELLER : PBT(94V-0)
- OPERATING TEMP.: -10°C~70°C
- STORAGE TEMP.: -40°C~70°C
- WEIGHT : 20g



JARO Part Number	*Bearing System B / F	Rated Voltage V	Rated Current A	Rated Speed RPM	Maximum Air Flow		Maximum Static Pressure		Sound Level dBA
					m ³ /min	CFM	mm-H ₂ O	In-H ₂ O	
JCD0401005L_1A0E	B / F	5	0.14	4000	0.13	4.75	1.42	0.06	21
JCD0401005M_1A0E	B / F	5	0.18	6000	0.21	7.24	2.92	0.11	26
JCD0401005H_1A0E	B / F	5	0.29	8000	0.26	9.25	5.10	0.20	35
JCD0401012M_1A0E	B / F	12	0.10	4000	0.13	4.75	1.42	0.06	21
JCD0401012H_1A0E	B / F	12	0.11	6000	0.21	7.24	2.92	0.11	26
JCD0401012U_1A0E	B / F	12	0.14	8000	0.26	9.25	5.10	0.20	35
JCD0401012V_1A0E	B / F	12	0.18	10000	0.35	12.23	8.43	0.33	39
JCD0401024L_1A0E	B / F	24	0.06	4000	0.13	4.75	1.42	0.06	21
JCD0401024M_1A0E	B / F	24	0.09	8000	0.26	9.25	5.10	0.20	35
JCD0401024H_1A0E	B / F	24	0.09	10000	0.35	12.23	8.43	0.33	39

*Bearing system B:two ball bearing F:fluid bearing



*All models can be customized. Please contact your JARO representative for further information.

*Specs are subject to change without notice. Please visit JARO website at <https://jarothermal.com> for update information.



DC FAN



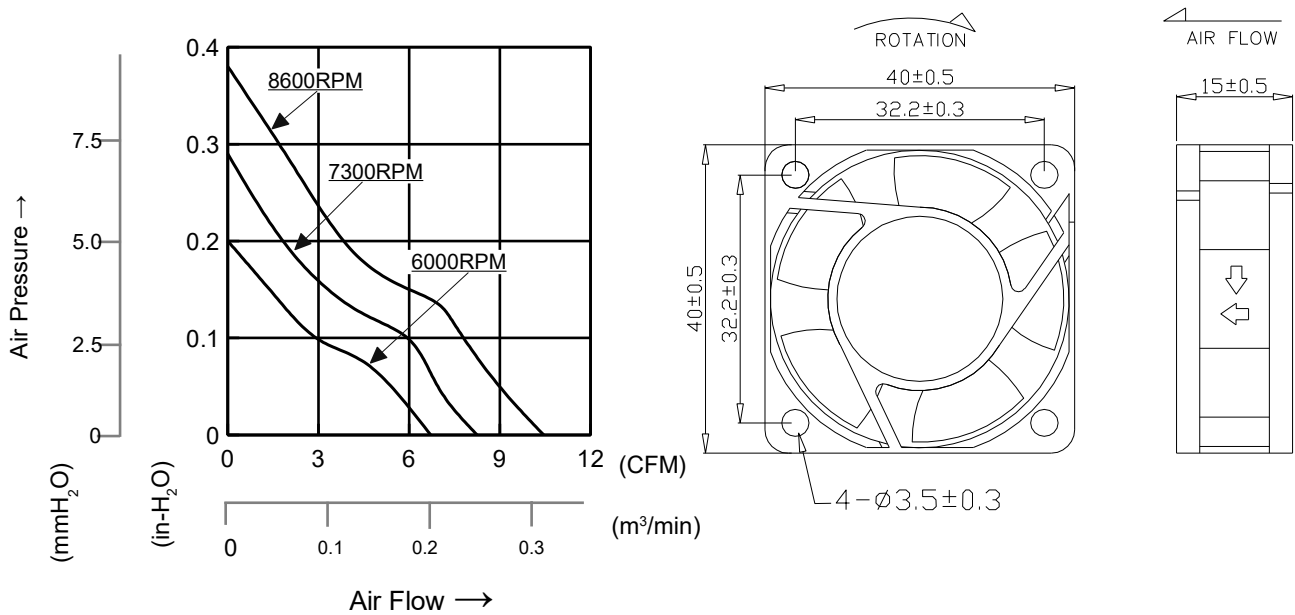
40x40x15mm

- MOTOR : DC single phase brushless motor
- FRAME : PBT (94V-0) ; IMPELLER : PBT(94V-0)
- OPERATING TEMP.: -10°C~70°C
- STORAGE TEMP.: -40°C~70°C
- WEIGHT : 20g



JARO Part Number	*Bearing System	Rated Voltage	Rated Current	Rated Speed	Maximum Air Flow		Maximum Static Pressure		Sound Level
	B / F	V	A	RPM	m ³ /min	CFM	mm-H ₂ O	In-H ₂ O	dBA
JCD0401512LB1A0E	B	12	0.08	6000	0.19	6.71	5.08	0.20	28
JCD0401512MB1A0E	B	12	0.12	7300	0.23	8.25	7.37	0.29	32
JCD0401512HB1A0E	B	12	0.16	8600	0.30	10.45	9.65	0.38	36

*Bearing system B:two ball bearing



*All models can be customized. Please contact your JARO representative for further information.

*Specs are subject to change without notice. Please visit JARO website at <https://jarothermal.com> for update information.



DC FAN



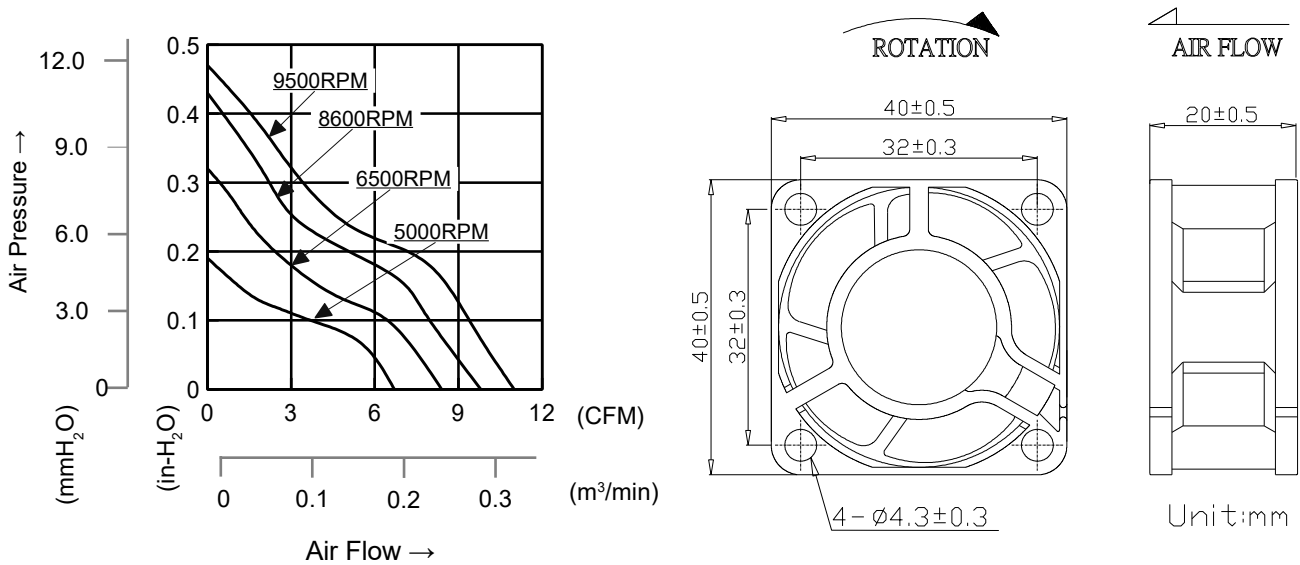
40x40x20mm

- MOTOR : DC single phase brushless motor
- FRAME : PBT (94V-0) ; IMPELLER : PBT(94V-0)
- OPERATING TEMP.: -10°C~70°C
- STORAGE TEMP.: -40°C~70°C
- WEIGHT : 27g



JARO Part Number	*Bearing System	Rated Voltage	Rated Current	Rated Speed	Maximum Air Flow		Maximum Static Pressure		Sound Level
	B / F	V	A	RPM	m ³ /min	CFM	mm-H ₂ O	In-H ₂ O	dBA
JCD0402012LB1A0E	B	12	0.10	5000	0.21	6.7	4.83	0.19	23
JCD0402012MB1A0E	B	12	0.12	6500	0.22	8.4	8.13	0.32	27
JCD0402012HB1A0E	B	12	0.16	8600	0.28	9.8	10.92	0.43	36
JCD0402012UB1A0E	B	12	0.22	9500	0.31	11.0	11.94	0.47	37
JCD0402024LB1A0E	B	24	0.07	5000	0.21	6.7	4.83	0.19	23
JCD0402024MB1A0E	B	24	0.09	6500	0.22	8.4	8.13	0.32	27
JCD0402024HB1A0E	B	24	0.13	8600	0.28	9.8	10.92	0.43	36

*Bearing system B:two ball bearing



*All models can be customized. Please contact your JARO representative for further information.

*Specs are subject to change without notice. Please visit JARO website at <https://jarothermal.com> for update information.



DC FAN



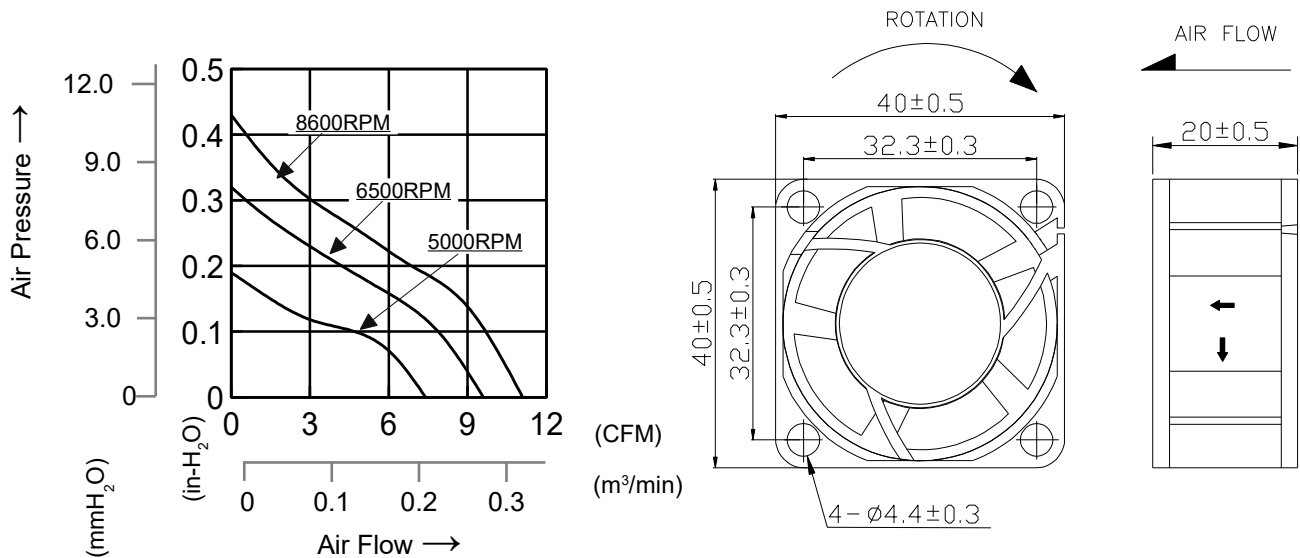
40x40x20mm

- MOTOR : DC single phase brushless motor
- FRAME : PBT (94V-0) ; IMPELLER : PBT(94V-0)
- OPERATING TEMP.: -10°C~70°C
- STORAGE TEMP.: -40°C~70°C
- WEIGHT : 27g



JARO Part Number	*Bearing System	Rated Voltage	Rated Current	Rated Speed	Maximum Air Flow		Maximum Static Pressure		Sound Level
	B / F	V	A	RPM	m ³ /min	CFM	mm-H ₂ O	In-H ₂ O	dBA
JCD0402012LF1A0S	F	12	0.10	5000	0.21	7.4	4.83	0.19	21
JCD0402012MF1A0S	F	12	0.12	6500	0.22	9.6	8.13	0.32	25
JCD0402012HF1A0S	F	12	0.16	8600	0.31	11.1	10.92	0.43	33
JCD0402024LF1A0S	F	24	0.07	5000	0.21	7.4	4.83	0.19	21
JCD0402024MF1A0S	F	24	0.09	6500	0.22	9.6	8.13	0.32	25
JCD0402024HF1A0S	F	24	0.13	8600	0.31	11.1	10.92	0.43	33

*Bearing system F:fluid bearing



*All models can be customized. Please contact your JARO representative for further information.

*Specs are subject to change without notice. Please visit JARO website at <https://jarothermal.com> for update information.



DC FAN



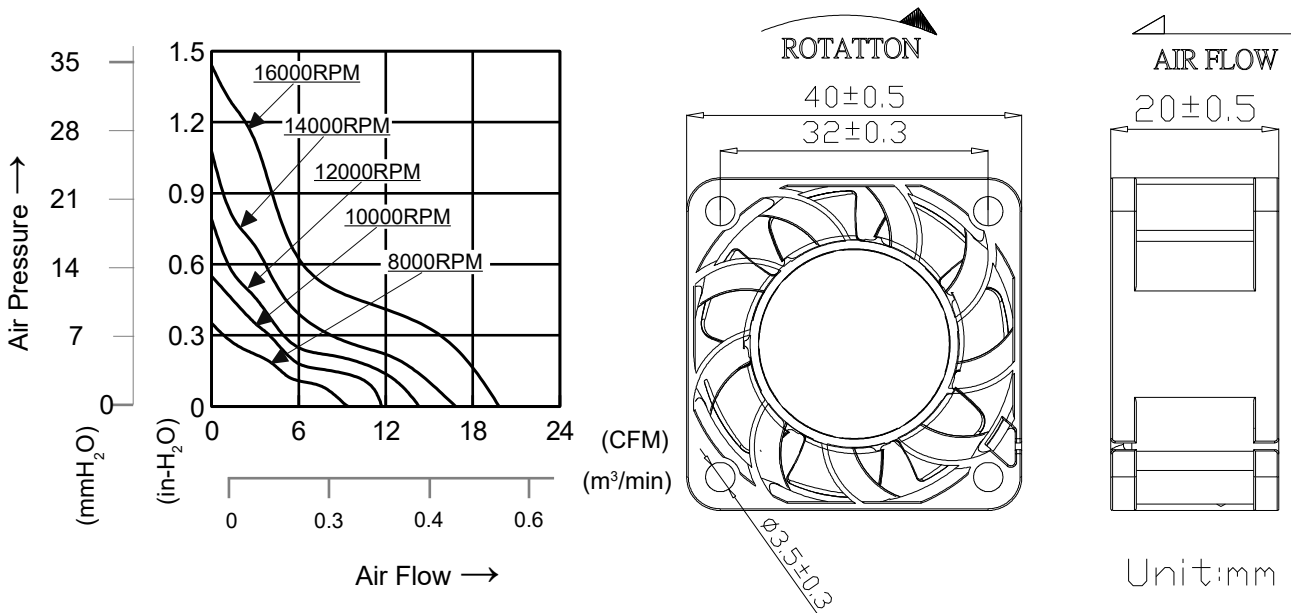
40x40x20mm

- MOTOR : DC single phase brushless motor
- FRAME : PBT (94V-0) ; IMPELLER : PBT(94V-0)
- OPERATING TEMP.: -10°C~70°C
- STORAGE TEMP.: -40°C~70°C
- WEIGHT : 45g



JARO Part Number	*Bearing System	Rated Voltage	Rated Current	Rated Speed	Maximum Air Flow		Maximum Static Pressure		Sound Level
	B / F	V	A	RPM	m ³ /min	CFM	mm-H ₂ O	In-H ₂ O	dBA
JCD0402012LB1A0B	B	12	0.08	8000	0.27	9.4	8.89	0.35	33
JCD0402012MB1A0B	B	12	0.11	10000	0.33	11.7	13.97	0.55	40
JCD0402012HB1A0B	B	12	0.17	12000	0.41	14.3	20.07	0.79	44
JCD0402012UB1A0B	B	12	0.25	14000	0.48	16.8	27.43	1.08	49
JCD0402012VB1A0B	B	12	0.41	16000	0.56	19.8	36.58	1.44	53
JCD0402024HB1A0B	B	24	0.13	12000	0.41	14.3	20.07	0.79	44
JCD0402024UB1A0B	B	24	0.15	14000	0.48	16.8	27.43	1.08	49
JCD0402024VB1A0B	B	24	0.18	16000	0.56	19.8	36.58	1.44	53

*Bearing system B:two ball bearing



*All models can be customized. Please contact your JARO representative for further information.

*Specs are subject to change without notice. Please visit JARO website at <https://jarothermal.com> for update information.



DC FAN



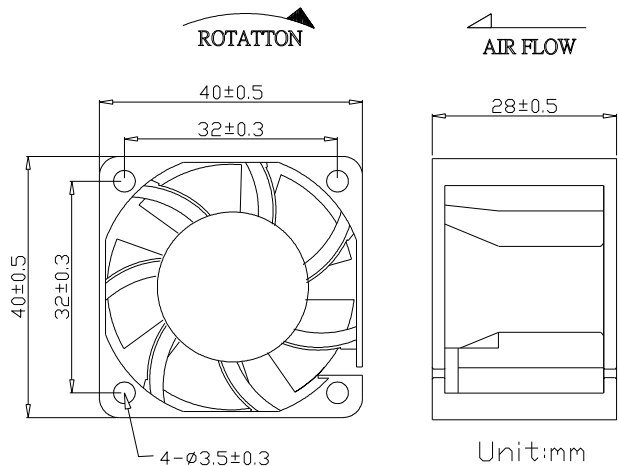
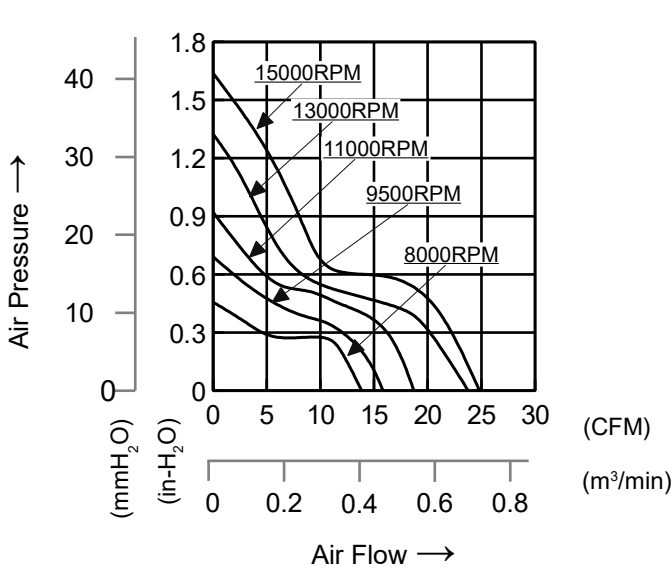
40x40x28mm

- MOTOR : DC single phase brushless motor
- FRAME : PBT (94V-0) ; IMPELLER : PBT(94V-0)
- OPERATING TEMP.: -10°C~70°C
- STORAGE TEMP.: -40°C~70°C
- WEIGHT : 58g



JARO Part Number	*Bearing System	Rated Voltage	Rated Current	Rated Speed	Maximum Air Flow		Maximum Static Pressure		Sound Level
	B / F	V	A	RPM	m ³ /min	CFM	mm-H ₂ O	In-H ₂ O	dBA
JCD0402812LB1A0B	B	12	0.14	8000	0.40	13.8	11.68	0.46	38
JCD0402812MB1A0B	B	12	0.26	9500	0.45	15.9	17.53	0.69	44
JCD0402812HB1A0B	B	12	0.35	11000	0.53	18.7	23.37	0.92	51
JCD0402812UB1A0B	B	12	0.55	13000	0.67	23.8	33.53	1.32	54
JCD0402812VB1A0B	B	12	0.64	15000	0.70	24.8	41.66	1.64	58
JCD0402824LB1A0B	B	24	0.10	8000	0.40	13.8	11.68	0.46	38
JCD0402824MB1A0B	B	24	0.15	9500	0.45	15.9	17.53	0.69	44
JCD0402824HB1A0B	B	24	0.20	11000	0.53	18.7	23.37	0.92	51
JCD0402824UB1A0B	B	24	0.27	13000	0.67	23.8	33.53	1.32	54

*Bearing system B:two ball bearing



*All models can be customized. Please contact your JARO representative for further information.

*Specs are subject to change without notice. Please visit JARO website at <https://jarothermal.com> for update information.



DC FAN



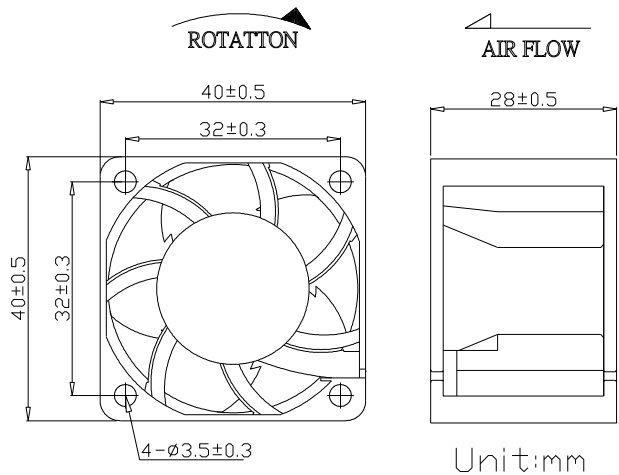
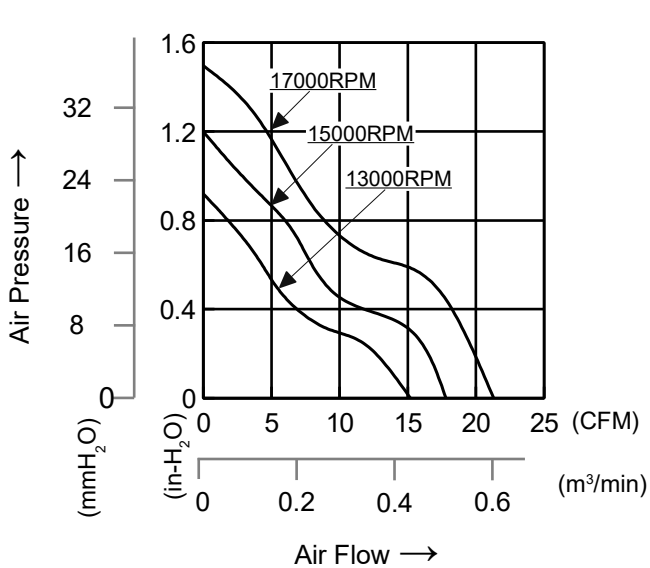
40x40x28mm

- MOTOR : DC single phase brushless motor
- FRAME : PBT (94V-0) ; IMPELLER : PBT(94V-0)
- OPERATING TEMP.: -10°C~70°C
- STORAGE TEMP.: -40°C~70°C
- WEIGHT : 49g



JARO Part Number	*Bearing System	Rated Voltage	Rated Current	Rated Speed	Maximum Air Flow		Maximum Static Pressure		Sound Level
	B / F	V	A	RPM	m ³ /min	CFM	mm-H ₂ O	In-H ₂ O	dBA
JCD0402812HB1A0V	B	12	0.3	13000	0.43	15.2	23.37	0.92	43
JCD0402812UB1A0V	B	12	0.4	15000	0.51	17.8	30.48	1.20	46
JCD0402812VB1A0V	B	12	0.6	17000	0.61	21.3	38.86	1.53	50

*Bearing system B:two ball bearing

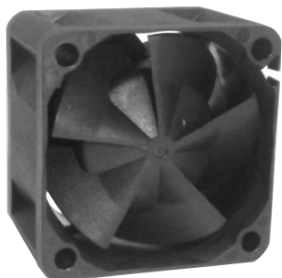


*All models can be customized. Please contact your JARO representative for further information.

*Specs are subject to change without notice. Please visit JARO website at <https://jarothermal.com> for update information.



DC FAN



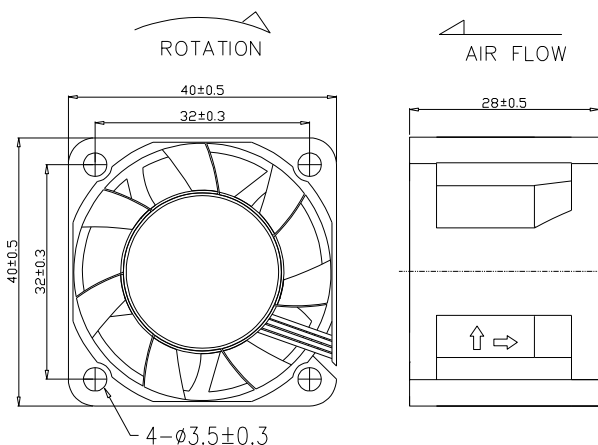
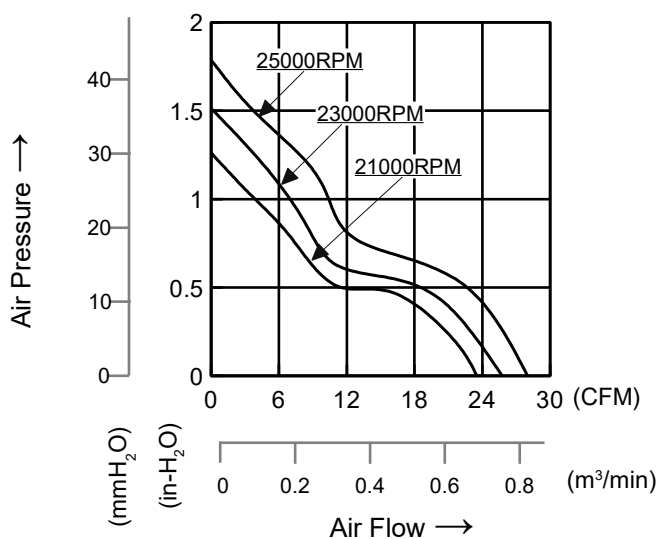
40x40x28mm

- MOTOR : DC single phase brushless motor
- FRAME : PBT (94V-0) ; IMPELLER : PBT(94V-0)
- OPERATING TEMP.: -10°C~70°C
- STORAGE TEMP.: -40°C~70°C
- WEIGHT : 50g



JARO Part Number	*Bearing System	Rated Voltage	Rated Current	Rated Speed	Maximum Air Flow		Maximum Static Pressure		Sound Level
	B / F	V	A	RPM	m ³ /min	CFM	mm-H ₂ O	In-H ₂ O	dBA
JCD0402812UB1A0K	B	12	0.75	21000	0.67	23.52	32.00	1.26	60
JCD0402812VB1A0K	B	12	0.9	23000	0.73	25.76	38.35	1.51	62
JCD0402812WB1A0K	B	12	1.0	25000	0.84	28.00	45.47	1.79	65

*Bearing system B:two ball bearing



*All models can be customized. Please contact your JARO representative for further information.

*Specs are subject to change without notice. Please visit JARO website at <https://jarothermal.com> for update information.



DC FAN



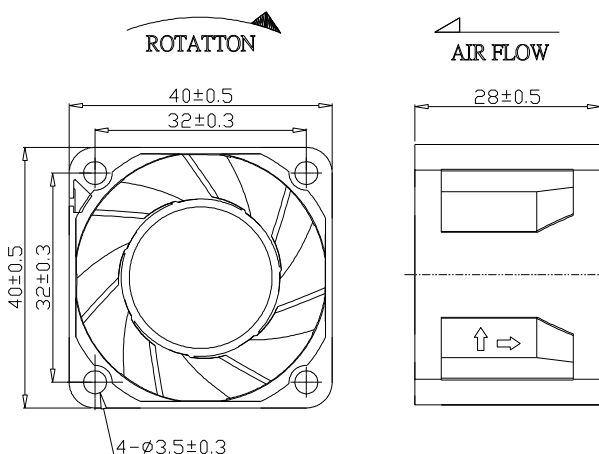
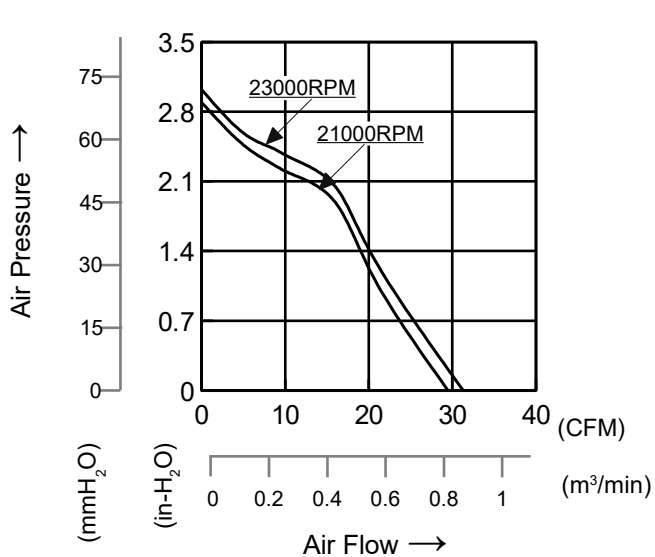
40x40x28mm

- MOTOR : DC single phase brushless motor
- FRAME : PBT (94V-0) ; IMPELLER : PBT(94V-0)
- OPERATING TEMP.: -10°C~70°C
- STORAGE TEMP.: -40°C~70°C
- WEIGHT : 50g



JARO Part Number	*Bearing System	Rated Voltage	Rated Current	Rated Speed	Maximum Air Flow		Maximum Static Pressure		Sound Level
	B / F	V	A	RPM	m ³ /min	CFM	mm-H ₂ O	In-H ₂ O	dBA
JCD0402812VB1A0D	B	12	1.1	21000	0.83	29.5	73.41	2.89	62
JCD0402812WB1A0D	B	12	1.4	23000	0.89	31.3	76.71	3.02	64

*Bearing system B:two ball bearing



*All models can be customized. Please contact your JARO representative for further information.

*Specs are subject to change without notice. Please visit JARO website at <https://jarothermal.com> for update information.



DC FAN



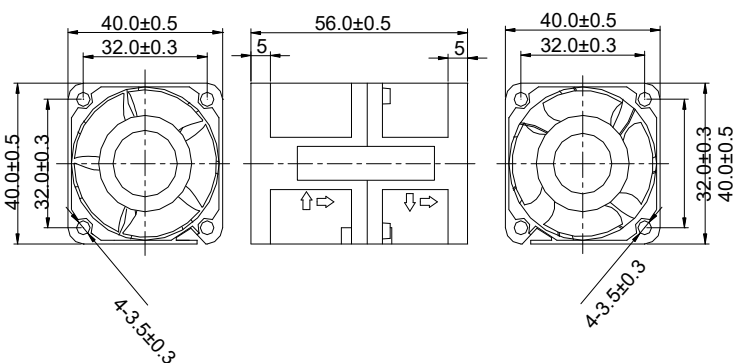
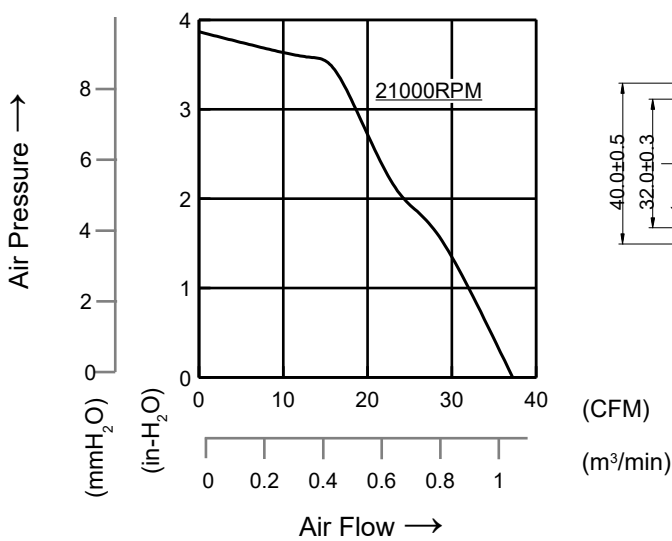
40x40x56mm

- MOTOR : DC single phase brushless motor
- FRAME : PBT (94V-0) ; IMPELLER : PBT(94V-0)
- OPERATING TEMP.: -10°C~70°C
- STORAGE TEMP.: -40°C~70°C
- WEIGHT : 80g



JARO Part Number	*Bearing System	Rated Voltage	Rated Current	Rated Speed	Maximum Air Flow		Maximum Static Pressure		Sound Level
	B / F	V	A	RPM	m ³ /min	CFM	mm-H ₂ O	In-H ₂ O	dBA
JCD0405612UB1A0D	B	12	1.72	21000	1.05	37.21	98.30	3.87	69

*Bearing system B:two ball bearing



*All models can be customized. Please contact your JARO representative for further information.

*Specs are subject to change without notice. Please visit JARO website at <https://jarothermal.com> for update information.



DC FAN



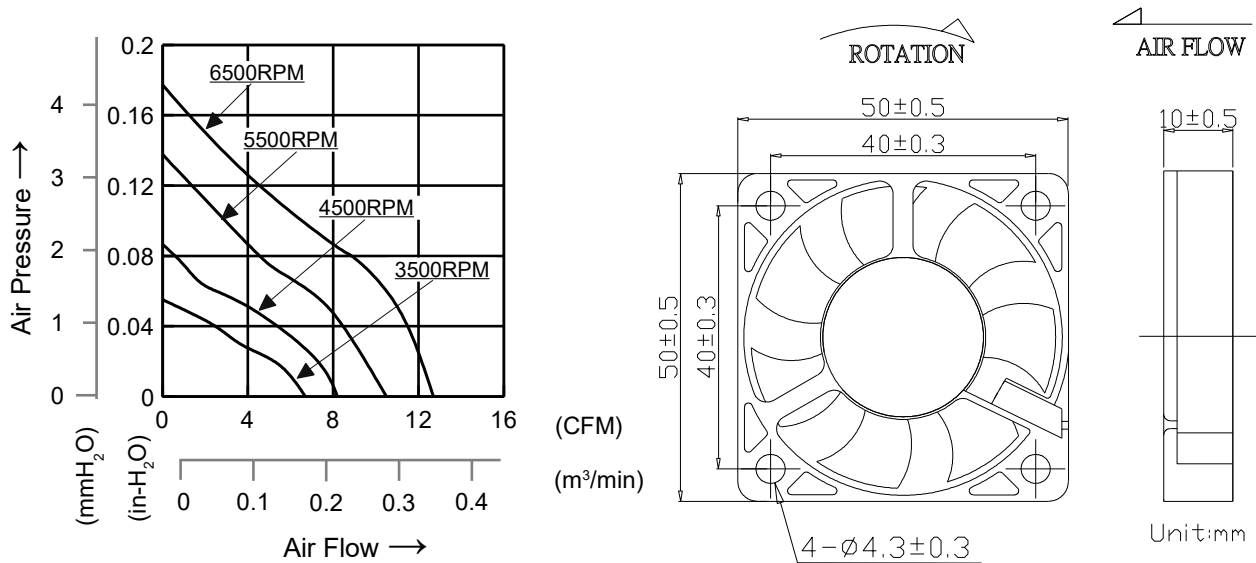
50x50x10mm

- MOTOR : DC single phase brushless motor
- FRAME : PBT (94V-0) ; IMPELLER : PBT(94V-0)
- OPERATING TEMP.: -10°C~70°C
- STORAGE TEMP.: -40°C~70°C
- WEIGHT : 32g



JARO Part Number	*Bearing System	Rated Voltage V	Rated Current A	Rated Speed RPM	Maximum Air Flow		Maximum Static Pressure		Sound Level dBA
					m ³ /min	CFM	mm-H ₂ O	In-H ₂ O	
JCD0501005J_1A0E	B / F	5	0.08	3500	0.19	6.7	1.27	0.05	18
JCD0501005L_1A0E	B / F	5	0.12	4500	0.23	8.2	2.29	0.09	25
JCD0501005M_1A0E	B / F	5	0.16	5500	0.30	10.5	3.56	0.14	30
JCD0501005H_1A0E	B / F	5	0.20	6500	0.36	12.7	4.57	0.18	35
JCD0501012J_1A0E	B / F	12	0.05	3500	0.19	6.7	1.27	0.05	18
JCD0501012L_1A0E	B / F	12	0.07	4500	0.23	8.2	2.29	0.09	25
JCD0501012M_1A0E	B / F	12	0.08	5500	0.30	10.5	3.56	0.14	30
JCD0501012H_1A0E	B / F	12	0.10	6500	0.36	12.7	4.57	0.18	35
JCD0501024J_1A0E	B / F	24	0.06	3500	0.19	6.7	1.27	0.05	18
JCD0501024L_1A0E	B / F	24	0.07	4500	0.23	8.2	2.29	0.09	25
JCD0501024M_1A0E	B / F	24	0.08	5500	0.30	10.5	3.56	0.14	30
JCD0501024H_1A0E	B / F	24	0.09	6500	0.36	12.7	4.57	0.18	35

*Bearing system B:two ball bearing F:fluid bearing



*All models can be customized. Please contact your JARO representative for further information.

*Specs are subject to change without notice. Please visit JARO website at <https://jarothermal.com> for update information.



DC FAN



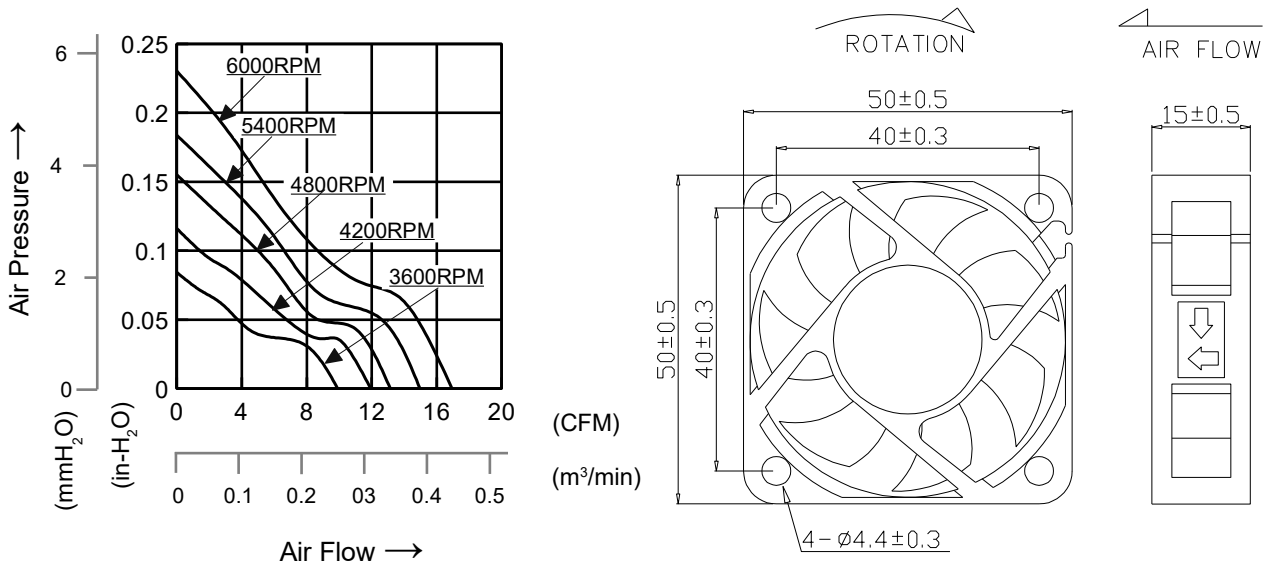
50x50x15mm

- MOTOR : DC single phase brushless motor
- FRAME : PBT (94V-0) ; IMPELLER : PBT(94V-0)
- OPERATING TEMP.: -10°C~70°C
- STORAGE TEMP.: -40°C~70°C
- WEIGHT : 38g



JARO Part Number	*Bearing System B / F	Rated Voltage V	Rated Current A	Rated Speed RPM	Maximum Air Flow		Maximum Static Pressure		Sound Level dBA
					m ³ /min	CFM	mm-H ₂ O	In-H ₂ O	
JCD0501512J_1A0E	B / F	12	0.06	3600	0.28	9.9	2.03	0.08	24
JCD0501512L_1A0E	B / F	12	0.07	4200	0.34	12.2	3.05	0.12	27
JCD0501512M_1A0E	B / F	12	0.09	4800	0.37	13.2	4.06	0.16	30
JCD0501512H_1A0E	B / F	12	0.11	5400	0.42	15.0	4.57	0.18	32
JCD0501512U_1A0E	B / F	12	0.13	6000	0.48	17.0	5.84	0.23	36
JCD0501524J_1A0E	B / F	24	0.04	3600	0.28	9.9	2.03	0.08	24
JCD0501524L_1A0E	B / F	24	0.05	4200	0.34	12.2	3.05	0.12	27
JCD0501524M_1A0E	B / F	24	0.06	4800	0.37	13.2	4.06	0.16	30
JCD0501524H_1A0E	B / F	24	0.07	5400	0.42	15.0	4.57	0.18	32
JCD0501524U_1A0E	B / F	24	0.08	6000	0.48	17.0	5.84	0.23	36

*Bearing system B:two ball bearing F:fluid bearing



*All models can be customized. Please contact your JARO representative for further information.

*Specs are subject to change without notice. Please visit JARO website at <https://jarothermal.com> for update information.



DC FAN



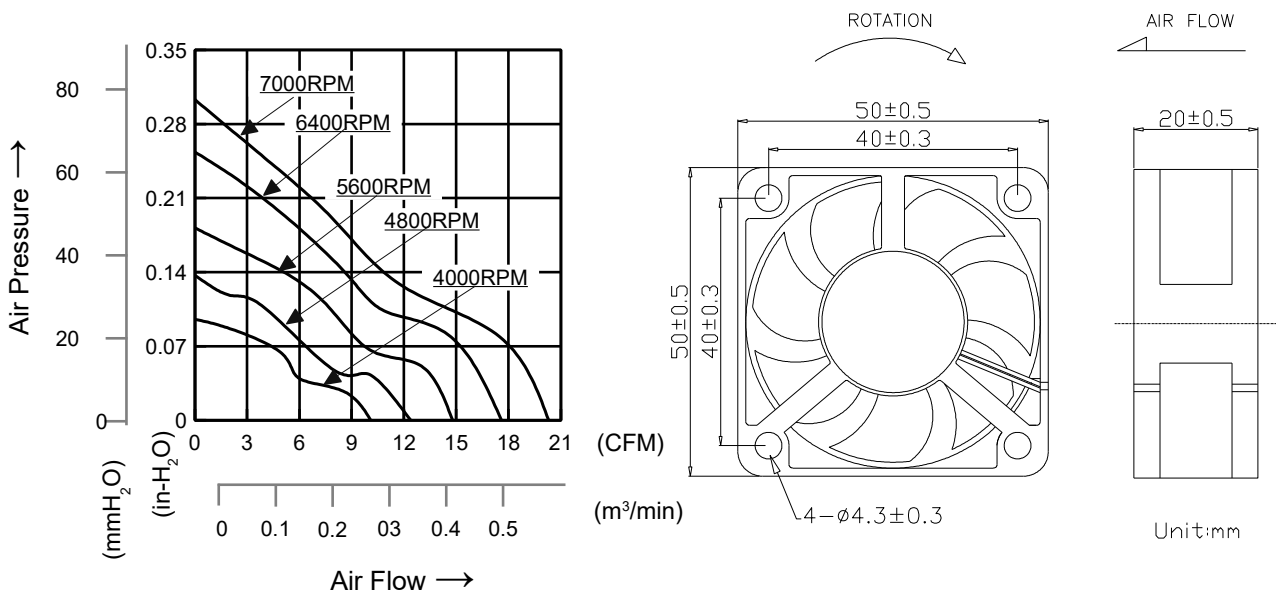
50x50x20mm

- MOTOR : DC single phase brushless motor
- FRAME : PBT (94V-0) ; IMPELLER : PBT(94V-0)
- OPERATING TEMP.: -10°C~70°C
- STORAGE TEMP.: -40°C~70°C
- WEIGHT : 40g



JARO Part Number	*Bearing System	Rated Voltage	Rated Current	Rated Speed	Maximum Air Flow		Maximum Static Pressure		Sound Level
	B / F	V	A	RPM	m ³ /min	CFM	mm-H ₂ O	In-H ₂ O	dBA
JCD0502012IB1A0E	B	12	0.10	4000	0.29	10.1	2.54	0.10	24
JCD0502012JB1A0E	B	12	0.13	4800	0.36	12.7	3.56	0.14	28
JCD0502012LB1A0E	B	12	0.15	5600	0.42	14.8	4.57	0.18	32
JCD0502012MB1A0E	B	12	0.21	6400	0.50	17.6	6.35	0.25	36
JCD0502012HB1A0E	B	12	0.21	7000	0.57	20.3	7.62	0.30	38
JCD0502024IB1A0E	B	24	0.07	4000	0.29	10.1	2.54	0.10	24
JCD0502024JB1A0E	B	24	0.08	4800	0.36	12.7	3.56	0.14	28
JCD0502024LB1A0E	B	24	0.10	5600	0.42	14.8	4.57	0.18	32
JCD0502024MB1A0E	B	24	0.12	6400	0.50	17.6	6.35	0.25	36
JCD0502024HB1A0E	B	24	0.12	7000	0.57	20.3	7.62	0.30	38

*Bearing system B:two ball bearing



*All models can be customized. Please contact your JARO representative for further information.

*Specs are subject to change without notice. Please visit JARO website at <https://jarothermal.com> for update information.



DC FAN



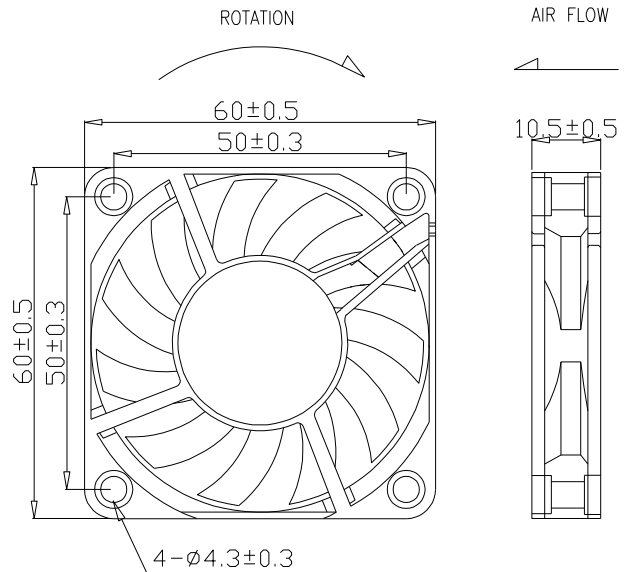
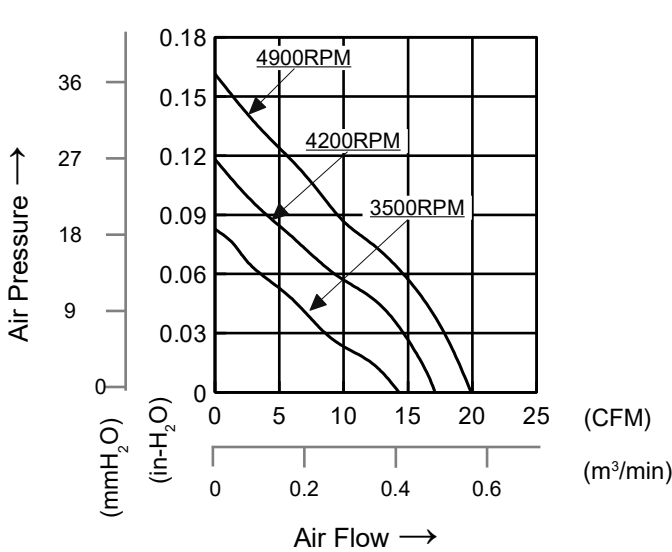
60x60x10mm

- MOTOR : DC single phase brushless motor
- FRAME : PBT (94V-0) ; IMPELLER : PBT(94V-0)
- OPERATING TEMP.: -10°C~70°C
- STORAGE TEMP.: -40°C~70°C
- WEIGHT : 37g



JARO Part Number	*Bearing System B / F	Rated Voltage V	Rated Current A	Rated Speed RPM	Maximum Air Flow		Maximum Static Pressure		Sound Level dBA
					m ³ /min	CFM	mm-H ₂ O	In-H ₂ O	
JCD0601005L_1A0E	B / F	5	0.30	3500	0.56	14.3	2.03	0.08	28
JCD0601005M_1A0E	B / F	5	0.38	4200	0.67	17.1	3.05	0.12	33
JCD0601005H_1A1E	B / F	5	0.42	4900	0.78	19.9	4.06	0.16	37
JCD0601012L_1A0E	B / F	12	0.14	3500	0.56	14.3	2.03	0.08	28
JCD0601012M_1A0E	B / F	12	0.17	4200	0.67	17.1	3.05	0.12	33
JCD0601012U_1A0E	B / F	12	0.20	4900	0.78	19.9	4.06	0.16	37
JCD0601024L_1A0E	B / F	24	0.05	3500	0.56	14.3	2.03	0.08	28
JCD0601024M_1A0E	B / F	24	0.08	4200	0.67	17.1	3.05	0.12	33
JCD0601024H_1A0E	B / F	24	0.10	4900	0.78	19.9	4.06	0.16	37

*Bearing system B:two ball bearing F:fluid bearing



*All models can be customized. Please contact your JARO representative for further information.

*Specs are subject to change without notice. Please visit JARO website at <https://jarothermal.com> for update information.



DC FAN



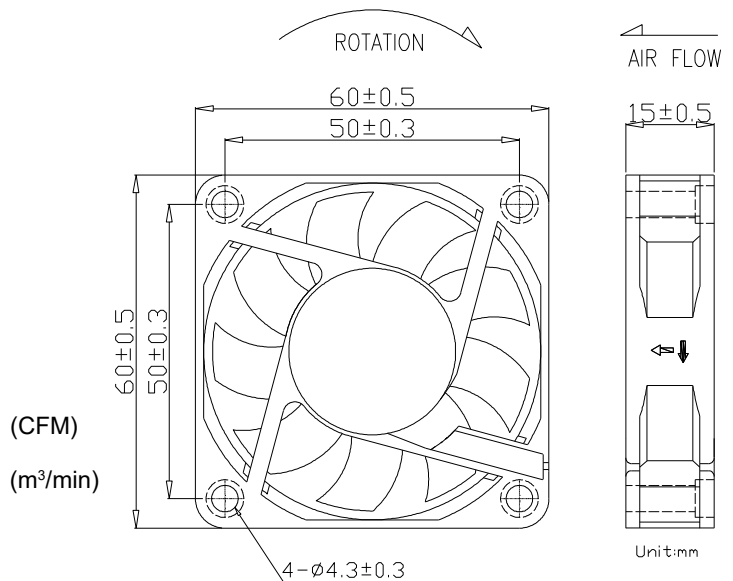
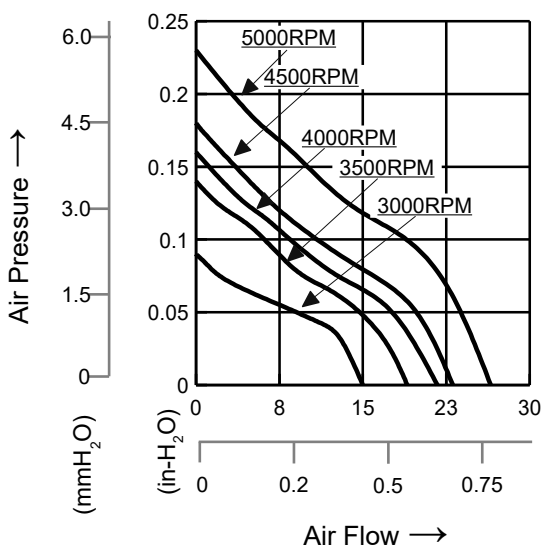
60x60x15mm

- MOTOR : DC single phase brushless motor
- FRAME : PBT (94V-0) ; IMPELLER : PBT(94V-0)
- OPERATING TEMP.: -10°C~70°C
- STORAGE TEMP.: -40°C~70°C
- WEIGHT : 44g



JARO Part Number	*Bearing System B / F	Rated Voltage V	Rated Current A	Rated Speed RPM	Maximum Air Flow		Maximum Static Pressure		Sound Level dBA
					m ³ /min	CFM	mm-H ₂ O	In-H ₂ O	
JCD0601512J_1A0E	B / F	12	0.06	3000	0.43	15.0	2.29	0.09	24
JCD0601512L_1A0E	B / F	12	0.08	3500	0.54	19.0	3.56	0.14	29
JCD0601512M_1A0E	B / F	12	0.10	4000	0.62	21.7	4.06	0.16	32
JCD0601512H_1A0E	B / F	12	0.12	4500	0.65	23.1	4.57	0.18	35
JCD0601512U_1A0E	B / F	12	0.26	5000	0.75	26.5	5.84	0.23	37
JCD0601524L_1A1E	B / F	24	0.06	3500	0.54	19.0	3.56	0.14	29
JCD0601524M_1A0E	B / F	24	0.08	4000	0.62	21.7	4.06	0.16	32
JCD0601524H_1A0E	B / F	24	0.10	4500	0.65	23.1	4.57	0.18	35
JCD0601524H_1A0E	B / F	24	0.11	5000	0.75	26.5	5.84	0.23	37

*Bearing system B:two ball bearing F:fluid bearing



*All models can be customized. Please contact your JARO representative for further information.

*Specs are subject to change without notice. Please visit JARO website at <https://jarothermal.com> for update information.



DC FAN



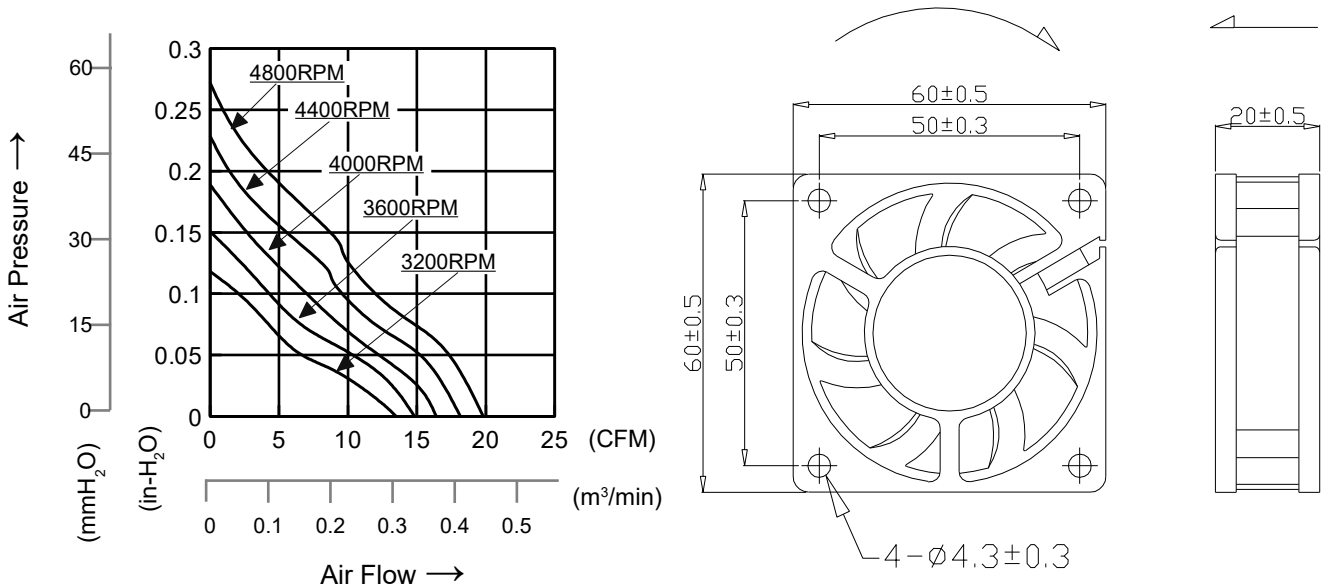
60x60x20mm

- MOTOR : DC single phase brushless motor
- FRAME : PBT (94V-0) ; IMPELLER : PBT(94V-0)
- OPERATING TEMP.: -10°C~70°C
- STORAGE TEMP.: -40°C~70°C
- WEIGHT : 50g



JARO Part Number	*Bearing System	Rated Voltage	Rated Current	Rated Speed	Maximum Air Flow		Maximum Static Pressure		Sound Level
	B / F	V	A	RPM	m ³ /min	CFM	mm-H ₂ O	In-H ₂ O	dBA
JCD0602012JB1A0E	B	12	0.07	3200	0.38	13.5	3.05	0.12	24
JCD0602012LB1A0E	B	12	0.09	3600	0.42	14.8	3.81	0.15	26
JCD0602012MB1A0E	B	12	0.11	4000	0.46	16.4	4.83	0.19	29
JCD0602012HB1A0E	B	12	0.13	4400	0.51	18.1	5.84	0.23	31
JCD0602012UB1A0E	B	12	0.17	4800	0.56	19.6	6.86	0.27	33

*Bearing system B:two ball bearing



*All models can be customized. Please contact your JARO representative for further information.

*Specs are subject to change without notice. Please visit JARO website at <https://jarothermal.com> for update information.



DC FAN



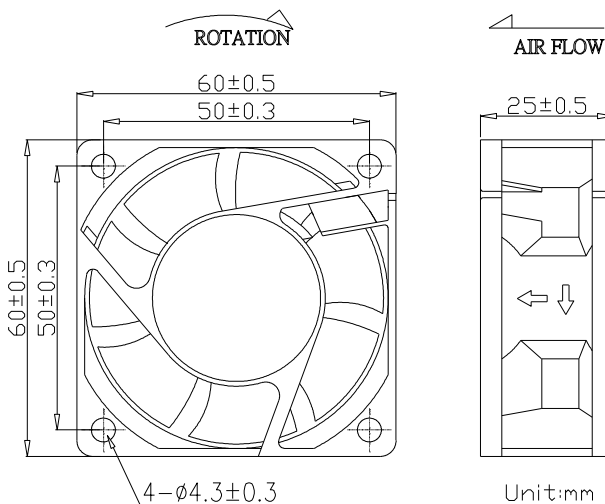
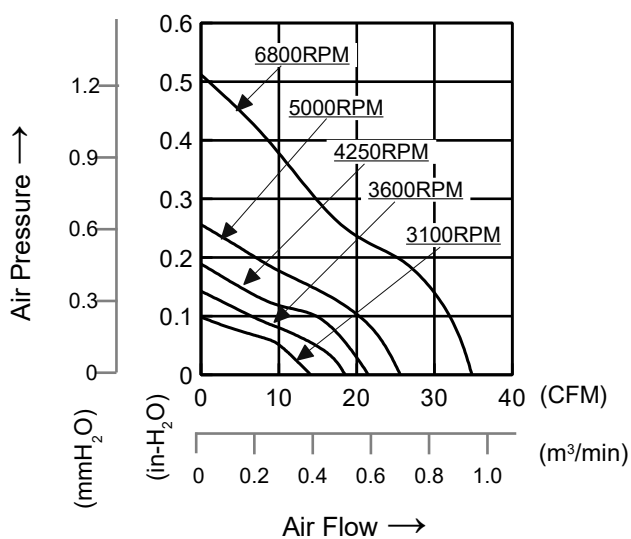
60x60x25mm

- MOTOR : DC single phase brushless motor
- FRAME : PBT (94V-0) ; IMPELLER : PBT(94V-0)
- OPERATING TEMP.: -10°C~70°C
- STORAGE TEMP.: -40°C~70°C
- WEIGHT : 57g



JARO Part Number	*Bearing System	Rated Voltage	Rated Current	Rated Speed	Maximum Air Flow		Maximum Static Pressure		Sound Level
	B / F	V	A	RPM	m ³ /min	CFM	mm-H ₂ O	In-H ₂ O	dBA
JCD0602512JB1A0E	B	12	0.10	3100	0.40	14.1	2.54	0.10	26
JCD0602512LB1A0E	B	12	0.12	3600	0.52	18.5	3.56	0.14	31
JCD0602512MB1A0E	B	12	0.16	4250	0.61	21.5	4.83	0.19	34
JCD0602512HB1A0E	B	12	0.35	5000	0.73	25.6	6.60	0.26	40
JCD0602512UB1A0E	B	12	0.40	6800	0.99	34.8	12.95	0.51	47
JCD0602524JB1A0E	B	24	0.06	3100	0.40	14.1	2.54	0.10	26
JCD0602524LB1A0E	B	24	0.08	3600	0.52	18.5	3.56	0.14	31
JCD0602524MB1A0E	B	24	0.11	4250	0.61	21.5	4.83	0.19	34
JCD0602524HB1A0E	B	24	0.20	5000	0.73	25.6	6.60	0.26	40
JCD0602524UB1A0E	B	24	0.25	6800	0.99	34.8	12.95	0.51	47
JCD0602548JB1A0E	B	48	0.05	3100	0.40	14.1	2.54	0.10	26
JCD0602548LB1A0E	B	48	0.06	3600	0.52	18.5	3.56	0.14	31
JCD0602548MB1A0E	B	48	0.07	4250	0.61	21.5	4.83	0.19	34
JCD0602548HB1A0E	B	48	0.12	5000	0.73	25.6	6.60	0.26	40

*Bearing system B:two ball bearing



*All models can be customized. Please contact your JARO representative for further information.

*Specs are subject to change without notice. Please visit JARO website at <https://jarothermal.com> for update information.



DC FAN



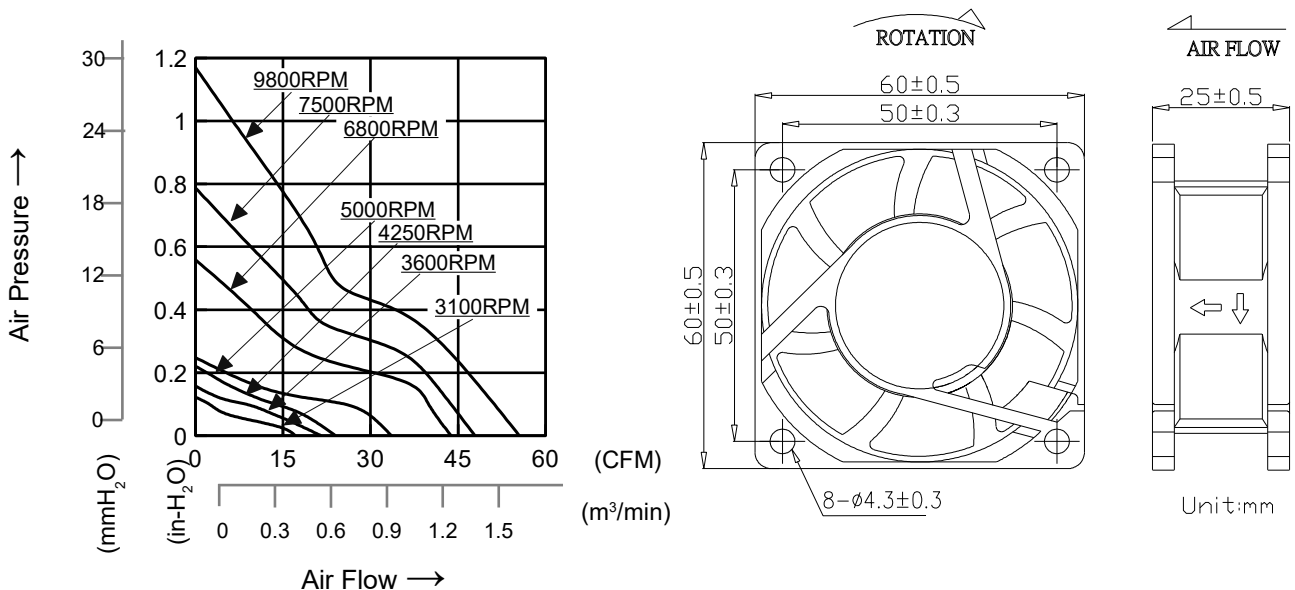
60x60x25mm

- MOTOR : DC single phase brushless motor
- FRAME : PBT (94V-0) ; IMPELLER : PBT(94V-0)
- OPERATING TEMP.: -10°C~70°C
- STORAGE TEMP.: -40°C~70°C
- WEIGHT : 60g



JARO Part Number	*Bearing System	Rated Voltage	Rated Current	Rated Speed	Maximum Air Flow		Maximum Static Pressure		Sound Level
	B / F	V	A	RPM	m ³ /min	CFM	mm-H ₂ O	In-H ₂ O	dBA
JCD0602512JB1A0F	B	12	0.08	3100	0.48	17.1	3.05	0.12	26
JCD0602512LB1A0F	B	12	0.12	3600	0.61	21.5	4.06	0.16	31
JCD0602512MB1A0F	B	12	0.15	4250	0.68	24.0	5.59	0.22	34
JCD0602512HB1A0F	B	12	0.28	5000	0.95	33.6	6.35	0.25	40
JCD0602512UB1A0F	B	12	0.45	6800	1.24	43.8	14.22	0.56	56
JCD0602512VB1A0F	B	12	0.48	7500	1.36	47.9	20.07	0.79	63
JCD0602512WB1A0F	B	12	0.54	9800	1.57	55.5	29.72	1.17	66
JCD0602524JB1A0F	B	24	0.06	3100	0.48	17.1	3.05	0.12	26
JCD0602524LB1A0F	B	24	0.06	3600	0.61	21.5	4.06	0.16	31
JCD0602524MB1A0F	B	24	0.08	4250	0.68	24.0	5.59	0.22	34
JCD0602524HB1A0F	B	24	0.16	5000	0.95	33.6	6.35	0.25	40
JCD0602524UB1A0F	B	24	0.28	6800	1.24	43.8	14.22	0.56	56
JCD0602548LB1A0F	B	48	0.06	4250	0.68	24.0	5.59	0.22	34
JCD0602548MB1A0F	B	48	0.10	5000	0.95	33.6	6.35	0.25	40
JCD0602548HB1A0F	B	48	0.17	6800	1.24	43.8	14.22	0.56	56

*Bearing system B:two ball bearing



*All models can be customized. Please contact your JARO representative for further information.

*Specs are subject to change without notice. Please visit JARO website at <https://jarothermal.com> for update information.



DC FAN



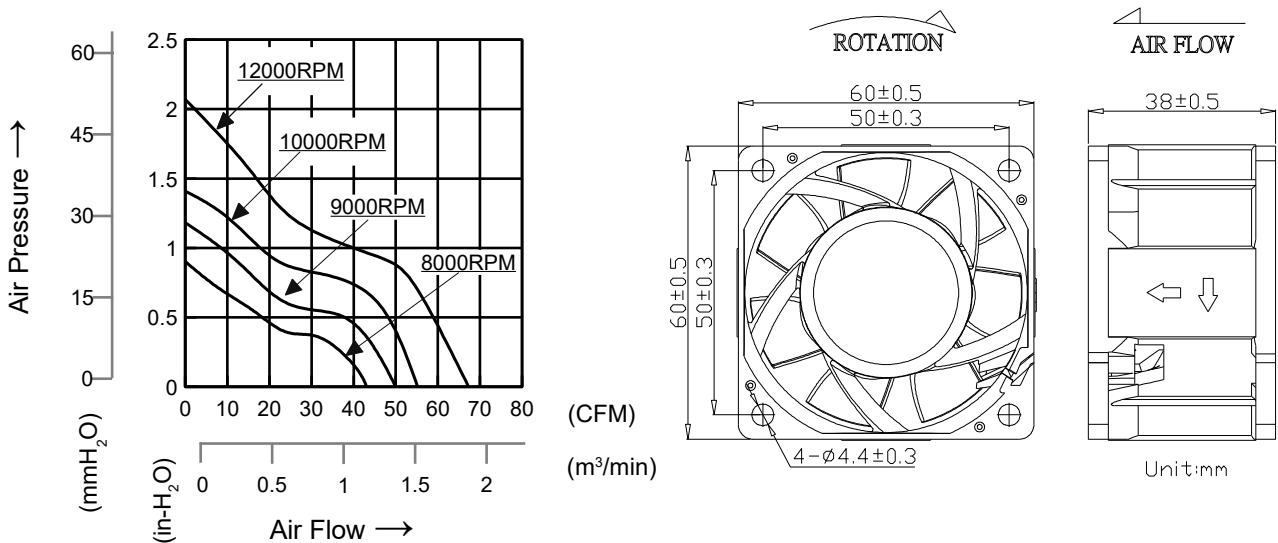
60x60x38mm

- MOTOR : DC single phase brushless motor
- FRAME : PBT (94V-0) ; IMPELLER : PBT(94V-0)
- OPERATING TEMP.: -10°C~70°C
- STORAGE TEMP.: -40°C~70°C
- WEIGHT : 145g



JARO Part Number	*Bearing System B / F	Rated Voltage V	Rated Current A	Rated Speed RPM	Maximum Air Flow		Maximum Static Pressure		Sound Level
					m ³ /min	CFM	mm-H ₂ O	In-H ₂ O	dBA
JCD0603812IB1A0B	B	12	0.52	8000	1.22	43.1	22.86	0.90	51
JCD0603812JB1A0B	B	12	0.68	9000	1.44	50.8	30.23	1.19	54
JCD0603812LB1A0B	B	12	1.00	10000	1.56	55.2	35.81	1.41	57
JCD0603812MB1A0B	B	12	1.38	12000	1.91	67.3	52.58	2.07	62
JCD0603824LB1A0B	B	24	0.22	8000	1.22	43.1	22.86	0.90	51
JCD0603824MB1A0B	B	24	0.40	9000	1.44	50.8	30.23	1.19	54
JCD0603824HB1A0B	B	24	0.53	10000	1.56	55.2	35.81	1.41	57
JCD0603824UB1A0B	B	24	0.75	12000	1.91	67.3	52.58	2.07	62

*Bearing system B:two ball bearing



*All models can be customized. Please contact your JARO representative for further information.

*Specs are subject to change without notice. Please visit JARO website at <https://jarothermal.com> for update information.



DC FAN



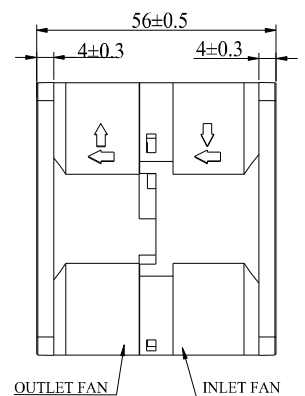
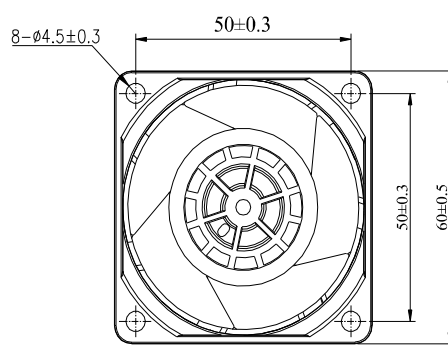
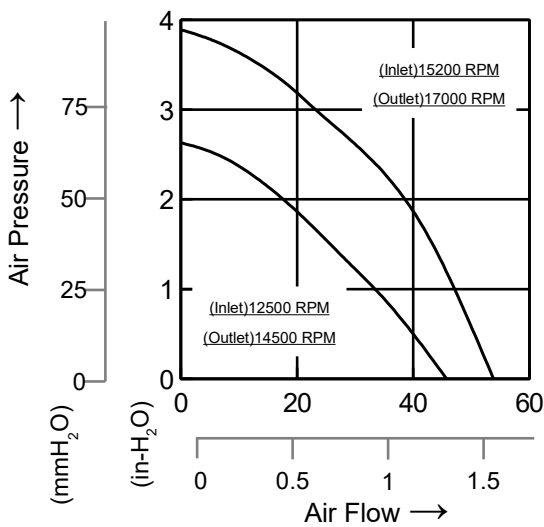
60x60x56mm

- MOTOR : DC single phase brushless motor
- FRAME : PBT (94V-0) ; IMPELLER : PBT(94V-0)
- OPERATING TEMP.: -10°C~70°C
- STORAGE TEMP.: -40°C~70°C
- WEIGHT : 180g



JARO Part Number	*Bearing System	Rated Voltage	Rated Current	Rated Speed	Maximum Air Flow		Maximum Static Pressure		Sound Level
	B / F	V	A	RPM	m ³ /min	CFM	mm-H ₂ O	In-H ₂ O	dBA
JCD0605612HB1A0B	B	12	1.00	(Inlet)12500 (Outlet)14500	1.30	45.76	66.80	2.63	63
JCD0605612UB1A0B	B	12	1.45	(Inlet)15200 (Outlet)17000	1.52	53.82	98.81	3.89	69

*Bearing system B:two ball bearing



*All models can be customized. Please contact your JARO representative for further information.

*Specs are subject to change without notice. Please visit JARO website at <https://jarothermal.com> for update information.



DC FAN



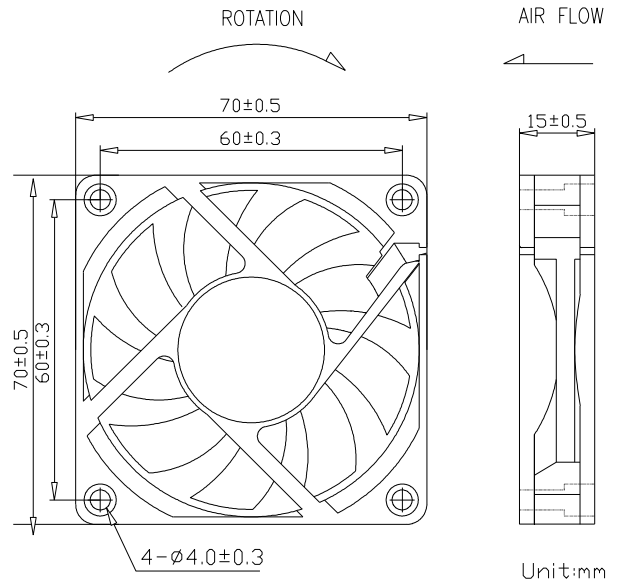
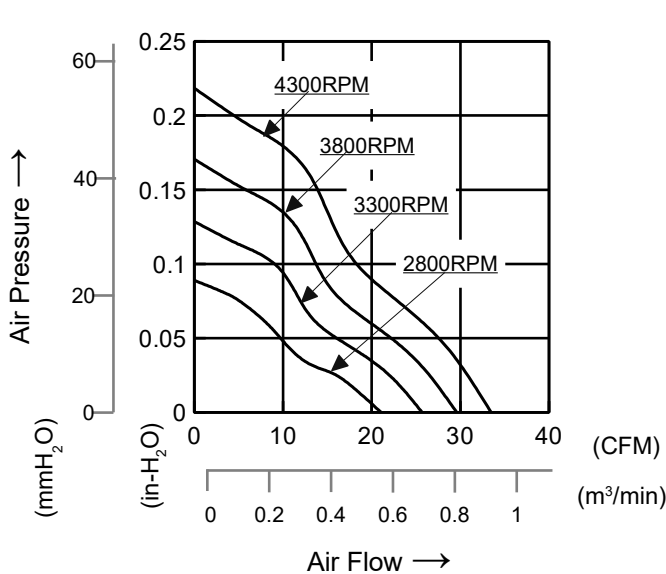
70x70x15mm

- MOTOR : DC single phase brushless motor
- FRAME : PBT (94V-0) ; IMPELLER : PBT(94V-0)
- OPERATING TEMP.: -10°C~70°C
- STORAGE TEMP.: -40°C~70°C
- WEIGHT : 50g



JARO Part Number	*Bearing System	Rated Voltage	Rated Current	Rated Speed	Maximum Air Flow		Maximum Static Pressure		Sound Level
	B / F	V	A	RPM	m ³ /min	CFM	mm-H ₂ O	In-H ₂ O	dBA
JCD0701512JB1A0E	B	12	0.10	2800	0.60	21.1	2.29	0.09	27
JCD0701512LB1A0E	B	12	0.12	3300	0.73	25.7	3.30	0.13	31
JCD0701512MB1A0E	B	12	0.17	3800	0.84	29.6	4.32	0.17	35
JCD0701512HB1A0E	B	12	0.25	4300	0.95	33.5	5.59	0.22	39
JCD0701524MB1A0E	B	24	0.10	3800	0.84	29.6	4.32	0.17	35
JCD0701524HB1A0E	B	24	0.12	4300	0.95	33.5	5.59	0.22	39

*Bearing system B:two ball bearing



*All models can be customized. Please contact your JARO representative for further information.

*Specs are subject to change without notice. Please visit JARO website at <https://jarothermal.com> for update information.



DC FAN



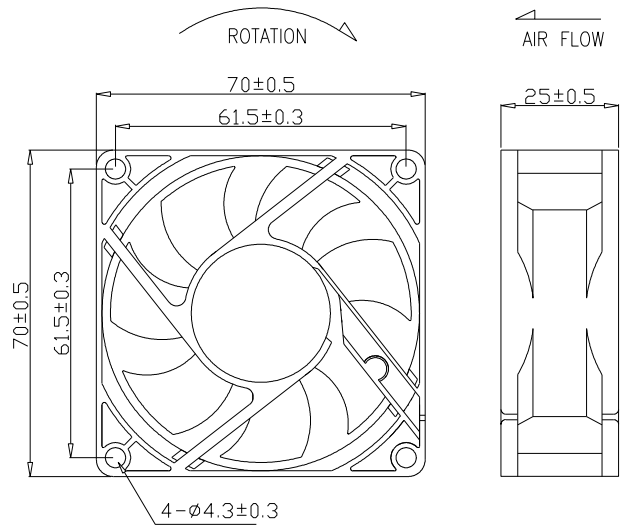
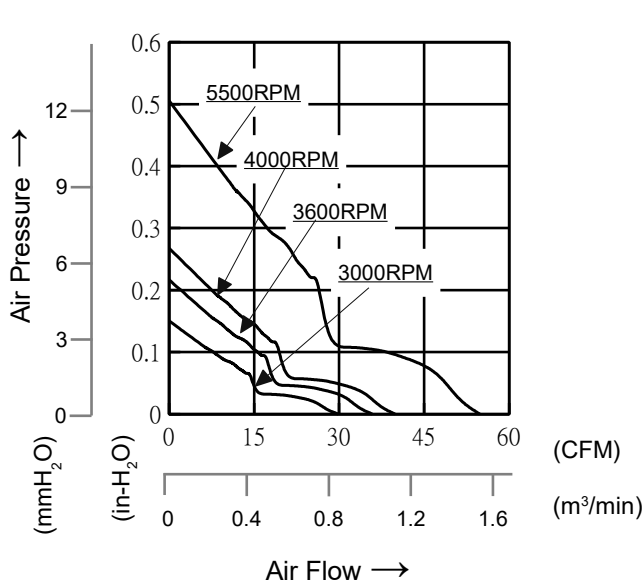
70x70x25mm

- MOTOR : DC single phase brushless motor
- FRAME : PBT (94V-0) ; IMPELLER : PBT(94V-0)
- OPERATING TEMP.: -10°C~70°C
- STORAGE TEMP.: -40°C~70°C
- WEIGHT : 74g



JARO Part Number	*Bearing System	Rated Voltage	Rated Current	Rated Speed	Maximum Air Flow		Maximum Static Pressure		Sound Level
	B / F	V	A	RPM	m ³ /min	CFM	mm-H ₂ O	In-H ₂ O	dBA
JCD0702512LB1A0E	B	12	0.07	3000	0.85	30.0	3.81	0.15	27
JCD0702512MB1A0E	B	12	0.09	3600	1.02	35.6	5.59	0.22	32
JCD0702512HB1A0E	B	12	0.13	4000	1.13	39.9	6.86	0.27	37
JCD0702512UB1A0E	B	12	0.16	5500	1.55	54.8	12.70	0.50	45
JCD0702524LB1A0E	B	24	0.05	3000	0.85	30.0	3.81	0.15	27
JCD0702524MB1A0E	B	24	0.06	3600	1.02	35.6	5.59	0.22	32
JCD0702524HB1A0E	B	24	0.08	4000	1.13	39.9	6.86	0.27	37
JCD0702524UB1A0E	B	24	0.35	5500	1.55	54.8	12.70	0.50	45
JCD0702548LB1A0E	B	48	0.04	3000	0.85	30.0	3.81	0.15	27
JCD0702548MB1A0E	B	48	0.05	3600	1.02	35.6	5.59	0.22	32
JCD0702548HB1A0E	B	48	0.07	4000	1.13	39.9	6.86	0.27	37

*Bearing system B:two ball bearing



*All models can be customized. Please contact your JARO representative for further information.

*Specs are subject to change without notice. Please visit JARO website at <https://jarothermal.com> for update information.



DC FAN



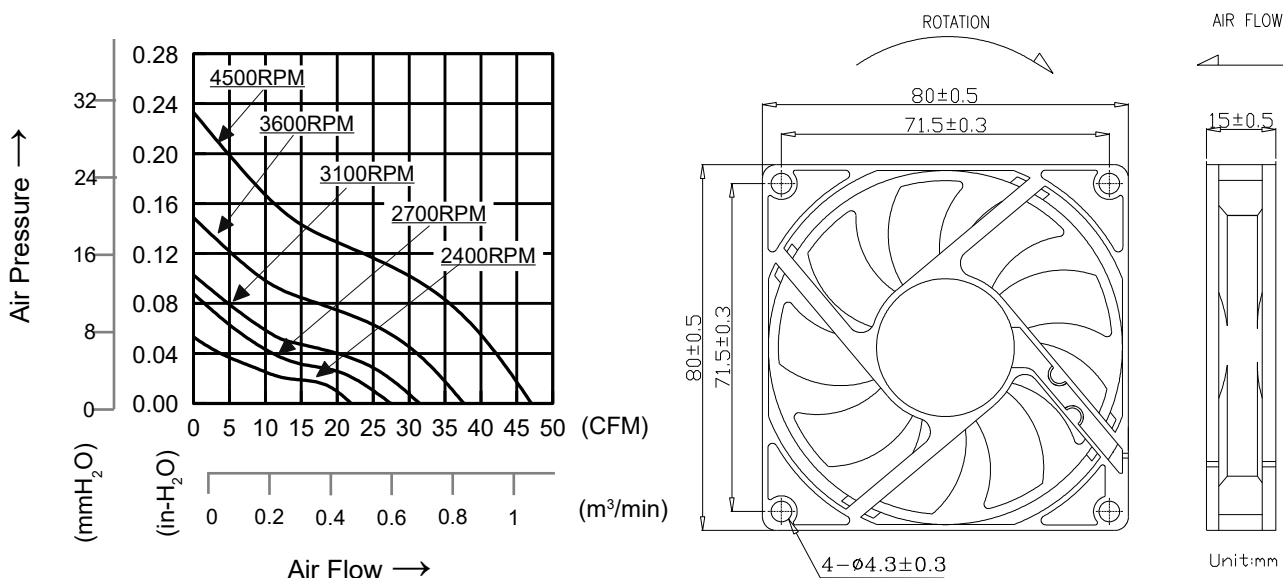
80x80x15mm

- MOTOR : DC single phase brushless motor
- FRAME : PBT (94V-0) ; IMPELLER : PBT(94V-0)
- OPERATING TEMP.: -10°C~70°C
- STORAGE TEMP.: -40°C~70°C
- WEIGHT : 54g



JARO Part Number	*Bearing System	Rated Voltage	Rated Current	Rated Speed	Maximum Air Flow		Maximum Static Pressure		Sound Level
	B / F	V	A	RPM	m ³ /min	CFM	mm-H ₂ O	In-H ₂ O	dBA
JCD0801512J_1A0E	B / F	12	0.06	2400	0.62	22.0	1.27	0.05	25
JCD0801512L_1A0E	B / F	12	0.10	2700	0.78	27.5	2.29	0.09	30
JCD0801512M_1A0E	B / F	12	0.12	3100	0.89	31.5	2.54	0.10	32
JCD0801512H_1A0E	B / F	12	0.16	3600	1.07	37.6	3.81	0.15	36
JCD0801512U_1A0E	B / F	12	0.30	4500	1.28	45.2	5.33	0.21	43
JCD0801524J_1A0E	B / F	24	0.04	2400	0.62	22.0	1.27	0.05	25
JCD0801524L_1A0E	B / F	24	0.06	2700	0.78	27.5	2.29	0.09	30
JCD0801524M_1A0E	B / F	24	0.08	3100	0.89	31.5	2.54	0.10	32
JCD0801524H_1A0E	B / F	24	0.10	3600	1.07	37.6	3.81	0.15	36

*Bearing system B:two ball bearing F:fluid bearing



*All models can be customized. Please contact your JARO representative for further information.

*Specs are subject to change without notice. Please visit JARO website at <https://jarothermal.com> for update information.



DC FAN



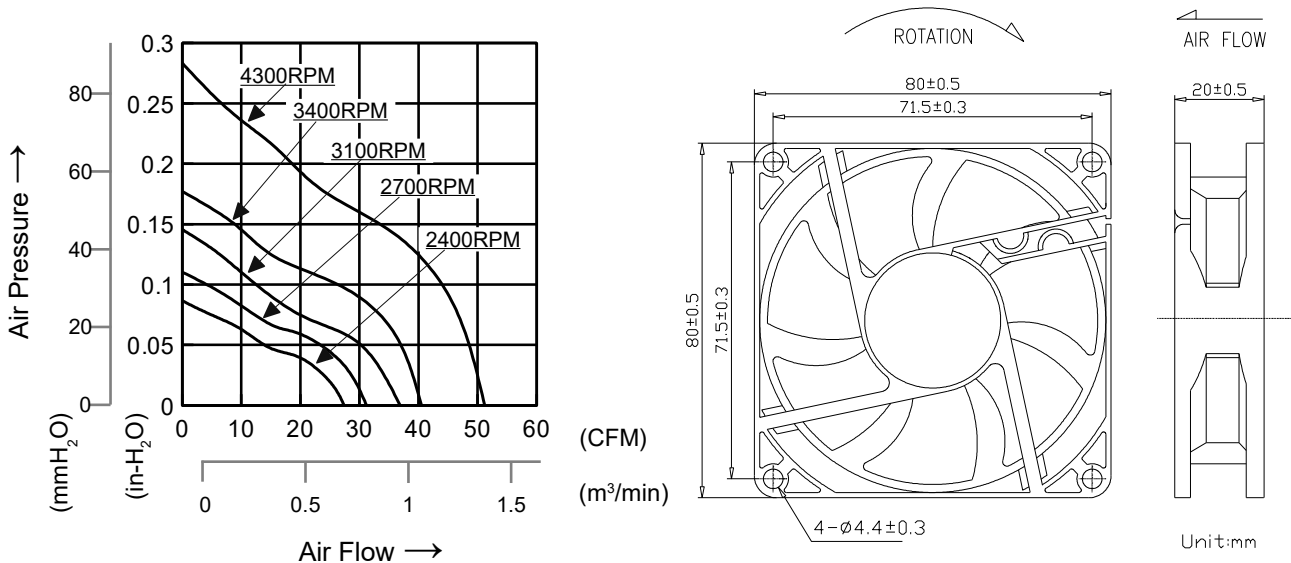
80x80x20mm

- MOTOR : DC single phase brushless motor
- FRAME : PBT (94V-0) ; IMPELLER : PBT(94V-0)
- OPERATING TEMP.: -10°C~70°C
- STORAGE TEMP.: -40°C~70°C
- WEIGHT : 76g



JARO Part Number	*Bearing System	Rated Voltage	Rated Current	Rated Speed	Maximum Air Flow		Maximum Static Pressure		Sound Level
	B / F	V	A	RPM	m ³ /min	CFM	mm-H ₂ O	In-H ₂ O	dBA
JCD0802012JB1A0E	B	12	0.13	2400	0.78	27.4	2.29	0.09	25
JCD0802012LB1A0E	B	12	0.16	2700	0.88	31.2	2.79	0.11	29
JCD0802012MB1A0E	B	12	0.18	3100	1.04	36.9	3.81	0.15	34
JCD0802012HB1A0E	B	12	0.24	3400	1.15	40.5	4.57	0.18	36
JCD0802012UB1A0E	B	12	0.30	4300	1.45	51.2	7.11	0.28	43
JCD0802024JB1A0E	B	24	0.07	2400	0.78	27.4	2.29	0.09	25
JCD0802024MB1A0E	B	24	0.12	3100	1.04	36.9	3.81	0.15	34
JCD0802024UB1A0E	B	24	0.20	4300	1.45	51.2	7.11	0.28	43

*Bearing system B:two ball bearing



*All models can be customized. Please contact your JARO representative for further information.

*Specs are subject to change without notice. Please visit JARO website at <https://jarothermal.com> for update information.



DC FAN



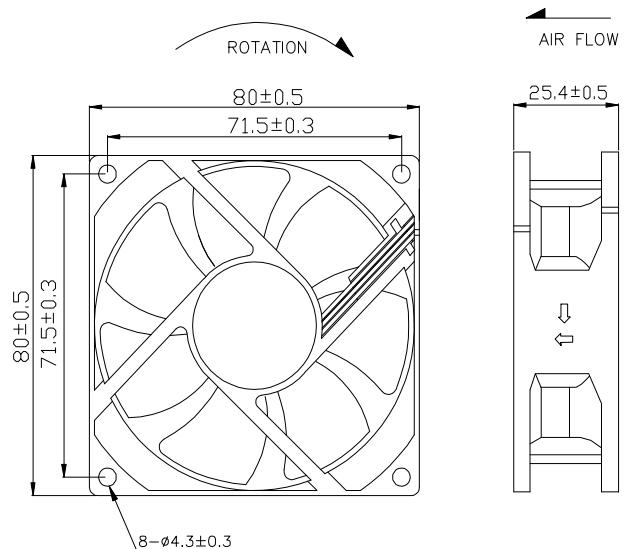
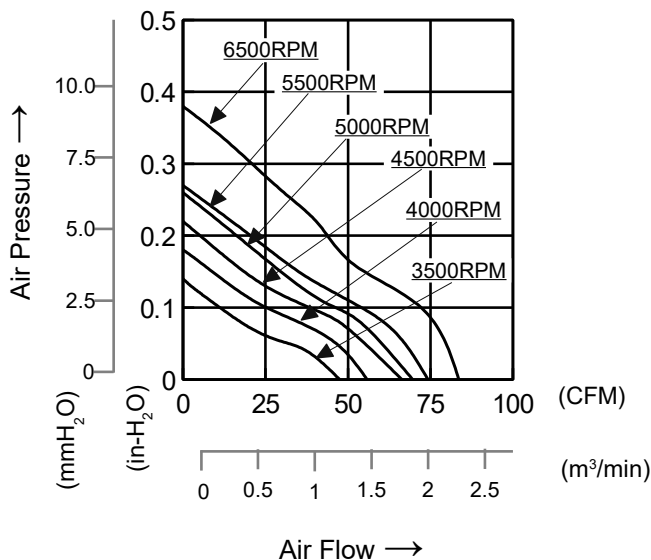
80x80x25mm

- MOTOR : DC single phase brushless motor
- FRAME : PBT (94V-0) ; IMPELLER : PBT(94V-0)
- OPERATING TEMP.: -10°C~70°C
- STORAGE TEMP.: -40°C~70°C
- WEIGHT : 82g



JARO Part Number	*Bearing System	Rated Voltage	Rated Current	Rated Speed	Maximum Air Flow		Maximum Static Pressure		Sound Level
	B / F	V	A	RPM	m ³ /min	CFM	mm-H ₂ O	In-H ₂ O	dBA
JCD0802512JB1A0D	B	12	0.20	3500	1.35	47.5	3.56	0.14	35
JCD0802512IB1A0D	B	12	0.32	4000	1.58	55.8	4.57	0.18	37
JCD0802512LB1A0D	B	12	0.40	4500	1.88	66.4	5.59	0.22	42
JCD0802512MB1A0D	B	12	0.65	5000	1.98	69.9	6.60	0.26	44
JCD0802512HB1A0D	B	12	0.81	5500	2.10	74.3	6.86	0.27	46
JCD0802512UB1A0D	B	12	1.00	6500	2.37	83.6	9.65	0.38	50
JCD0802524JB1A0D	B	24	0.12	3500	1.35	47.5	3.56	0.14	35
JCD0802524IB1A0D	B	24	0.16	4000	1.58	55.8	4.57	0.18	37
JCD0802524LB1A0D	B	24	0.22	4500	1.88	66.4	5.59	0.22	42
JCD0802524MB1A0D	B	24	0.32	5000	1.98	69.9	6.60	0.26	44
JCD0802524HB1A0D	B	24	0.45	5500	2.10	74.3	6.86	0.27	46
JCD0802524UB1A0D	B	24	0.51	6500	2.37	83.6	9.65	0.38	50
JCD0802548JB1A0D	B	48	0.10	3500	1.35	47.5	3.56	0.14	35
JCD0802548IB1A0D	B	48	0.15	4000	1.58	55.8	4.57	0.18	37
JCD0802548LB1A0D	B	48	0.17	4500	1.88	66.4	5.59	0.22	42
JCD0802548MB1A0D	B	48	0.19	5000	1.98	69.9	6.60	0.26	44
JCD0802548HB1A0D	B	48	0.29	5500	2.10	74.3	6.86	0.27	46
JCD0802548UB1A0D	B	48	0.60	6500	2.37	83.6	9.65	0.38	50

*Bearing system B: two ball bearing



*All models can be customized. Please contact your JARO representative for further information.

*Specs are subject to change without notice. Please visit JARO website at <https://jarothermal.com> for update information.



DC FAN



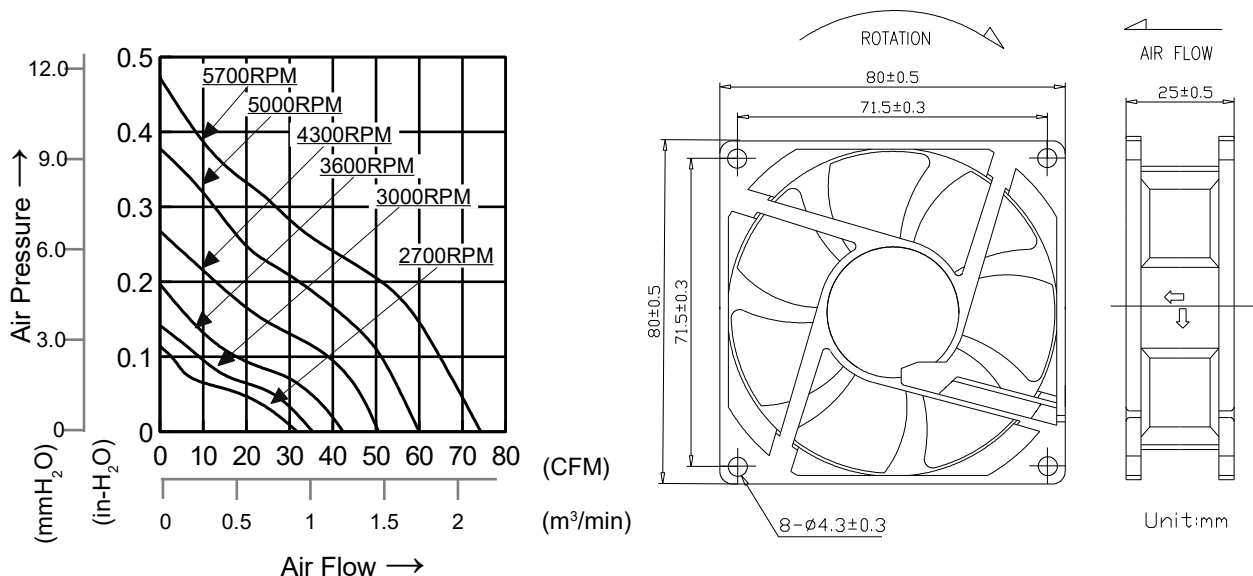
80x80x25mm

- MOTOR : DC single phase brushless motor
- FRAME : PBT (94V-0) ; IMPELLER : PBT(94V-0)
- OPERATING TEMP.: -10°C~70°C
- STORAGE TEMP.: -40°C~70°C
- WEIGHT : 80g



JARO Part Number	*Bearing System	Rated Voltage V	Rated Current A	Rated Speed RPM	Maximum Air Flow		Maximum Static Pressure		Sound Level dBA
					m ³ /min	CFM	mm-H ₂ O	In-H ₂ O	
JCD0802505U_1A0E	B / F	5	0.30	2700	0.90	31.8	2.79	0.11	29
JCD0802512J_1A0E	B / F	12	0.17	2700	0.90	31.8	2.79	0.11	29
JCD0802512L_1A0E	B / F	12	0.19	3000	1.00	35.4	3.56	0.14	33
JCD0802512M_1A0E	B / F	12	0.23	3600	1.20	42.4	5.08	0.20	38
JCD0802512H_1A0E	B / F	12	0.32	4300	1.43	50.5	6.86	0.27	43
JCD0802512UB1A0E	B	12	0.50	5000	1.85	65.2	10.40	0.42	44
JCD0802512VB1A0E	B	12	0.65	5700	2.11	74.3	13.52	0.55	47
JCD0802524J_1A0E	B / F	24	0.08	2700	0.90	31.8	2.79	0.11	29
JCD0802524L_1A0E	B / F	24	0.11	3000	1.00	35.4	3.56	0.14	33
JCD0802524M_1A0E	B / F	24	0.16	3600	1.20	42.4	5.08	0.20	38
JCD0802524H_1A0E	B / F	24	0.23	4300	1.43	50.5	6.86	0.27	43
JCD0802524UB1A0E	B	24	0.25	5000	1.69	60.0	9.65	0.38	48
JCD0802548M_1A0E	B / F	48	0.06	3000	1.00	35.4	3.56	0.14	33
JCD0802548H_1A0E	B / F	48	0.09	3600	1.20	42.4	5.08	0.20	38
JCD0802548U_1A0E	B / F	48	0.20	4300	1.43	50.5	6.86	0.27	43
JCD0802548VB1A0E	B	48	0.21	5000	1.69	60.0	9.65	0.38	48

*Bearing system B:two ball bearing F:fluid bearing



*All models can be customized. Please contact your JARO representative for further information.

*Specs are subject to change without notice. Please visit JARO website at <https://jarothermal.com> for update information.



DC FAN



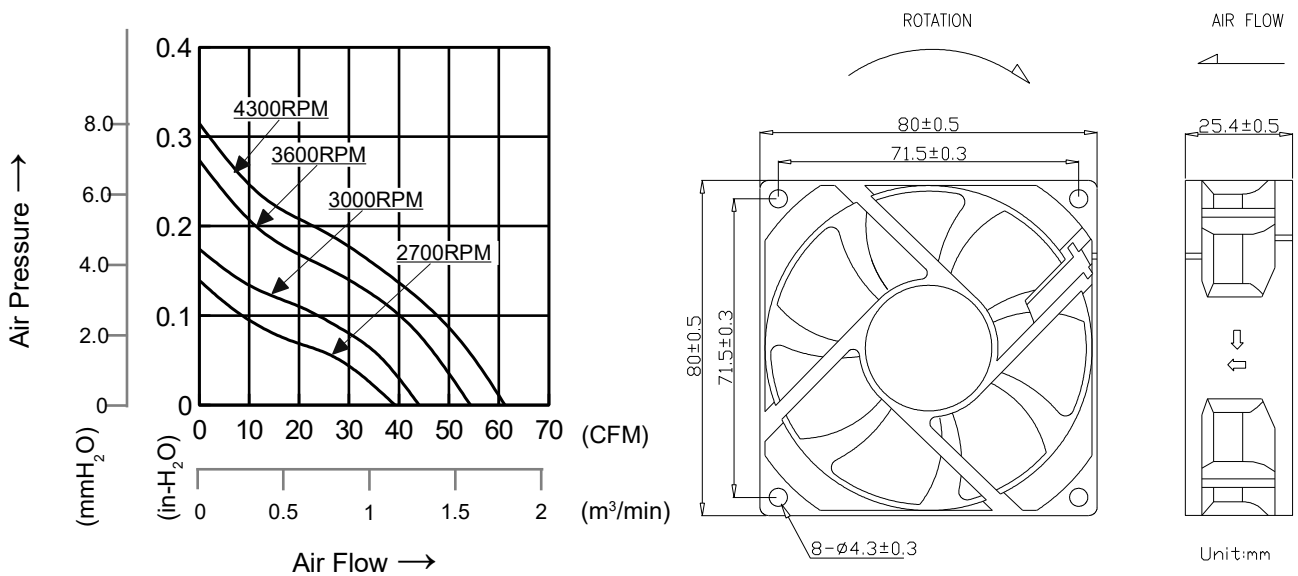
80x80x25mm

- MOTOR : DC single phase brushless motor
- FRAME : PBT (94V-0) ; IMPELLER : PBT(94V-0)
- OPERATING TEMP.: -10°C~70°C
- STORAGE TEMP.: -40°C~70°C
- WEIGHT : 85g



JARO Part Number	*Bearing System B / F	Rated Voltage V	Rated Current A	Rated Speed RPM	Maximum Air Flow		Maximum Static Pressure		Sound Level dBA
					m ³ /min	CFM	mm-H ₂ O	In-H ₂ O	
JCD0802512L_1A0C	B / F	12	0.14	2700	0.98	34.6	3.05	0.12	28
JCD0802512M_1A0C	B / F	12	0.20	3000	1.09	38.5	4.32	0.17	31
JCD0802512H_1A0C	B / F	12	0.24	3600	1.54	54.3	7.11	0.28	36
JCD0802512U_1A0C	B / F	12	0.44	4300	1.73	61.2	8.13	0.32	40
JCD0802524J_1A0C	B / F	24	0.08	2700	0.98	34.6	3.05	0.12	28
JCD0802524L_1A0C	B / F	24	0.11	3000	1.09	38.5	4.32	0.17	31
JCD0802524M_1A0C	B / F	24	0.15	3600	1.54	54.3	7.11	0.28	36
JCD0802524H_1A0C	B / F	24	0.20	4300	1.73	61.2	8.13	0.32	40
JCD0802548J_1A0C	B / F	48	0.05	2700	0.98	34.6	3.05	0.12	28
JCD0802548L_1A0C	B / F	48	0.07	3000	1.09	38.5	4.32	0.17	31
JCD0802548M_1A0C	B / F	48	0.10	3600	1.54	54.3	7.11	0.28	36
JCD0802548H_1A0C	B / F	48	0.14	4300	1.73	61.2	8.13	0.32	40

*Bearing system B:two ball bearing F:fluid bearing



*All models can be customized. Please contact your JARO representative for further information.

*Specs are subject to change without notice. Please visit JARO website at <https://jarothermal.com> for update information.



DC FAN



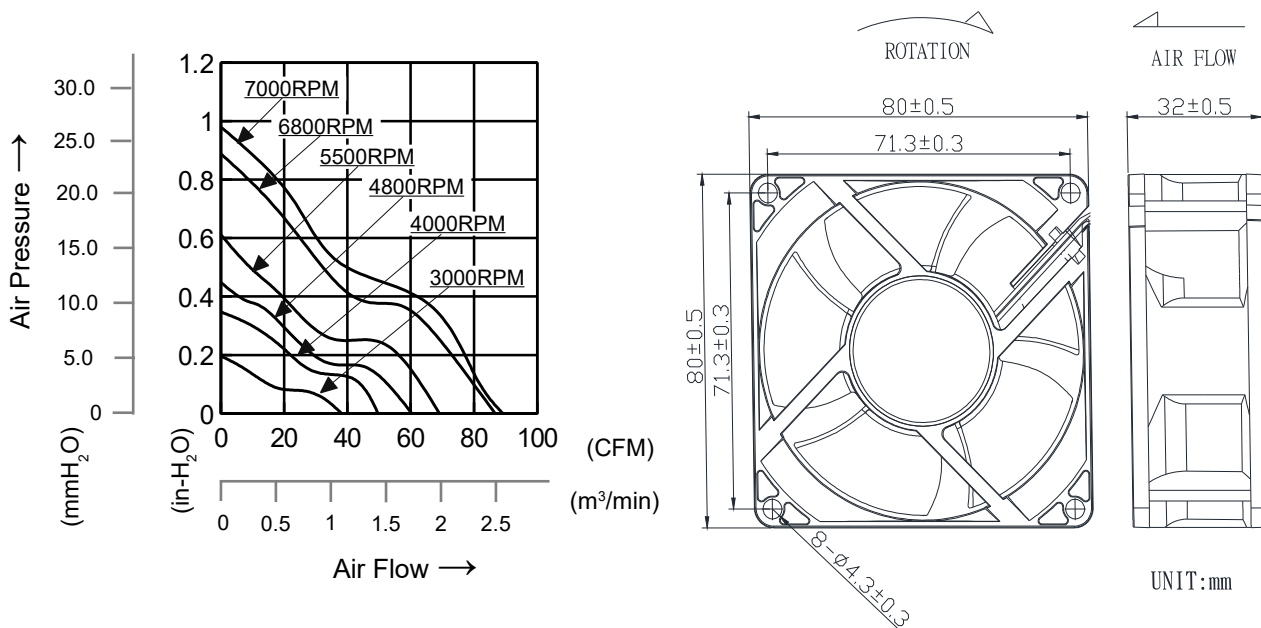
80x80x32mm

- MOTOR : DC single phase brushless motor
- FRAME : PBT (94V-0) ; IMPELLER : PBT(94V-0)
- OPERATING TEMP.: -10°C~70°C
- STORAGE TEMP.: -40°C~70°C
- WEIGHT : 120g



JARO Part Number	*Bearing System	Rated Voltage	Rated Current	Rated Speed	Maximum Air Flow		Maximum Static Pressure		Sound Level
	B / F	V	A	RPM	m ³ /min	CFM	mm-H ₂ O	In-H ₂ O	dBA
JCD0803212JB1A0E	B	12	0.15	3000	1.08	38.2	5.02	0.20	31
JCD0803212LB1A0E	B	12	0.20	4000	1.41	49.7	8.81	0.35	39
JCD0803212MB1A0E	B	12	0.35	4800	1.71	60.4	11.38	0.45	45
JCD0803212HB1A0E	B	12	0.50	5500	1.96	69.1	15.51	0.61	48
JCD0803212UB1A0E	B	12	0.80	6800	2.46	86.7	22.58	0.89	54
JCD0803224MB1A0E	B	24	0.15	4800	1.71	60.4	11.38	0.45	45
JCD0803224HB1A0E	B	24	0.25	5500	1.96	69.1	15.51	0.61	48
JCD0803224UB1A0E	B	24	0.35	7000	2.53	89.2	24.88	0.98	55

*Bearing system B: two ball bearing



*All models can be customized. Please contact your JARO representative for further information.

*Specs are subject to change without notice. Please visit JARO website at <https://jarothermal.com> for update information.



DC FAN



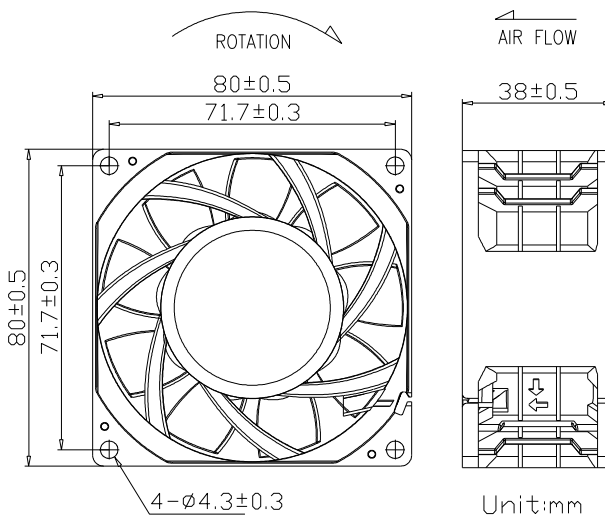
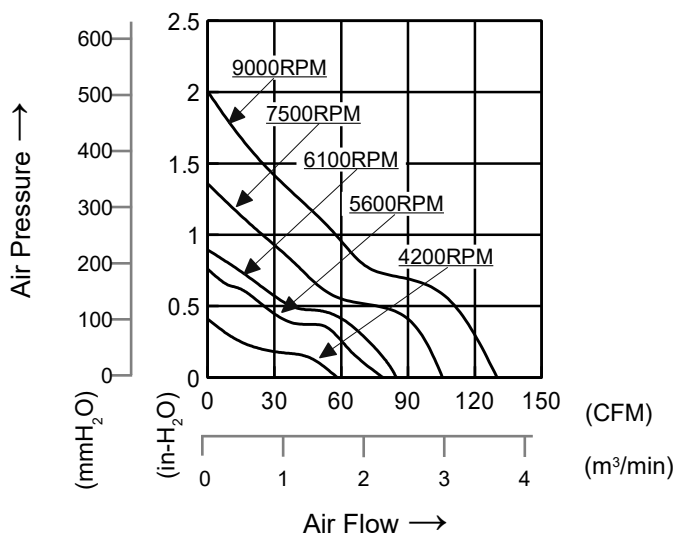
80x80x38mm

- MOTOR : DC single phase brushless motor
- FRAME : PBT (94V-0) ; IMPELLER : PBT(94V-0)
- OPERATING TEMP.: -10°C~70°C
- STORAGE TEMP.: -40°C~70°C
- WEIGHT : 210g



JARO Part Number	*Bearing System	Rated Voltage	Rated Current	Rated Speed	Maximum Air Flow		Maximum Static Pressure		Sound Level
	B / F	V	A	RPM	m ³ /min	CFM	mm-H ₂ O	In-H ₂ O	dBA
JCD0803812LB1A0B	B	12	0.40	4200	1.65	58.2	10.41	0.41	45
JCD0803812MB1A0B	B	12	0.76	5600	2.23	78.8	19.30	0.76	53
JCD0803812HB1A0B	B	12	1.00	6100	2.40	84.8	22.61	0.89	56
JCD0803812UB1A0B	B	12	1.50	7500	2.99	105.5	34.54	1.36	62
JCD0803812VB1A0B	B	12	2.70	9000	3.68	130.0	50.80	2.00	66
JCD0803824LB1A0B	B	24	0.25	4200	1.65	58.2	10.41	0.41	45
JCD0803824MB1A0B	B	24	0.35	5600	2.23	78.8	19.30	0.76	53
JCD0803824HB1A0B	B	24	0.45	6100	2.40	84.8	22.61	0.89	56
JCD0803824UB1A0B	B	24	0.82	7500	2.99	105.5	34.54	1.36	62
JCD0803824VB1A0B	B	24	1.40	9000	3.68	130.0	50.80	2.00	66
JCD0803848LB1A0B	B	48	0.23	4200	1.65	58.2	10.41	0.41	45
JCD0803848MB1A0B	B	48	0.33	5600	2.23	78.8	19.30	0.76	53
JCD0803848HB1A0B	B	48	0.51	6100	2.40	84.8	22.61	0.89	56
JCD0803848UB1A0B	B	48	0.58	7500	2.99	105.5	34.54	1.36	62
JCD0803848VB1A0B	B	48	0.90	9000	3.68	130.0	50.80	2.00	66

*Bearing system B:two ball bearing

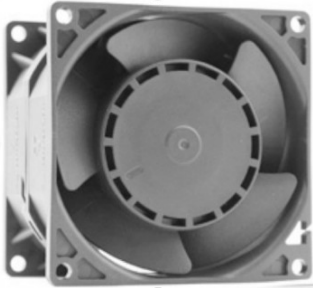


*All models can be customized. Please contact your JARO representative for further information.

*Specs are subject to change without notice. Please visit JARO website at <https://jarothermal.com> for update information.



DC FAN



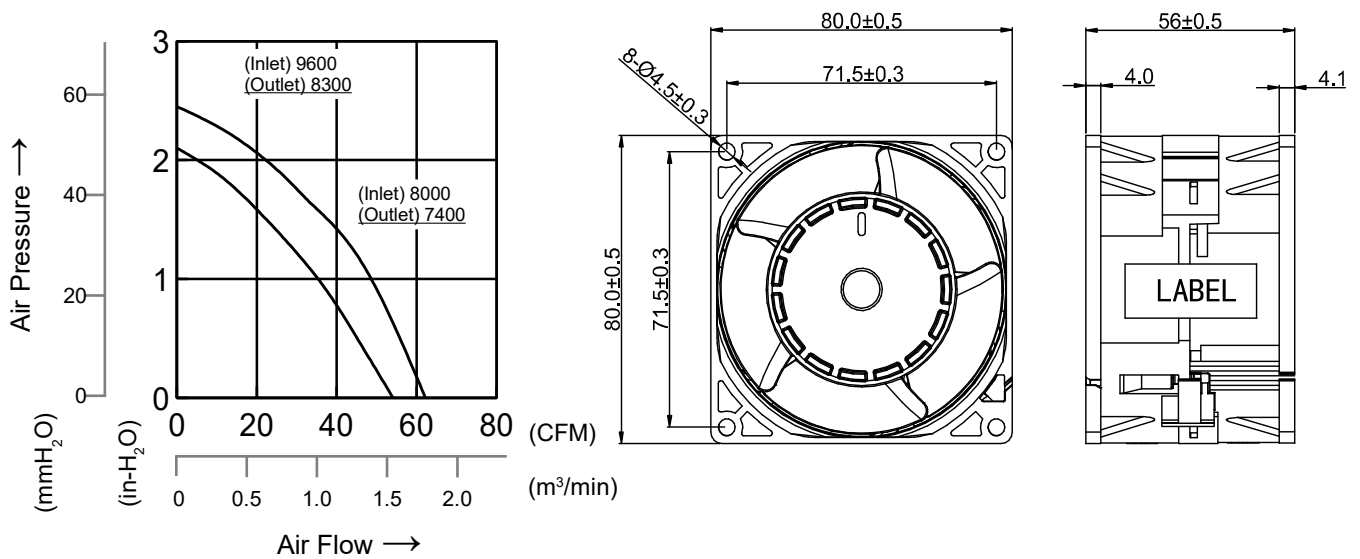
80x80x56mm

- MOTOR : DC single phase brushless motor
- FRAME : PBT (94V-0) ; IMPELLER : PBT(94V-0)
- OPERATING TEMP.: -10°C~70°C
- STORAGE TEMP.: -40°C~70°C
- WEIGHT : 308g



JARO Part Number	*Bearing System	Rated Voltage	Rated Current	Rated Speed	Maximum Air Flow		Maximum Static Pressure		Sound Level
	B / F	V	A	RPM	m ³ /min	CFM	mm-H ₂ O	In-H ₂ O	dBA
JCD0805612MB1A0B	B	12	1.10	(Inlet) 8000 (Outlet) 7400	1.53	54.1	53.3	2.10	64
JCD0805612HB1A0B	B	12	1.30	(Inlet) 9600 (Outlet) 8300	1.76	62.2	62.2	2.45	68

*Bearing system B:two ball bearing



*All models can be customized. Please contact your JARO representative for further information.

*Specs are subject to change without notice. Please visit JARO website at <https://jarothermal.com> for update information.



DC FAN



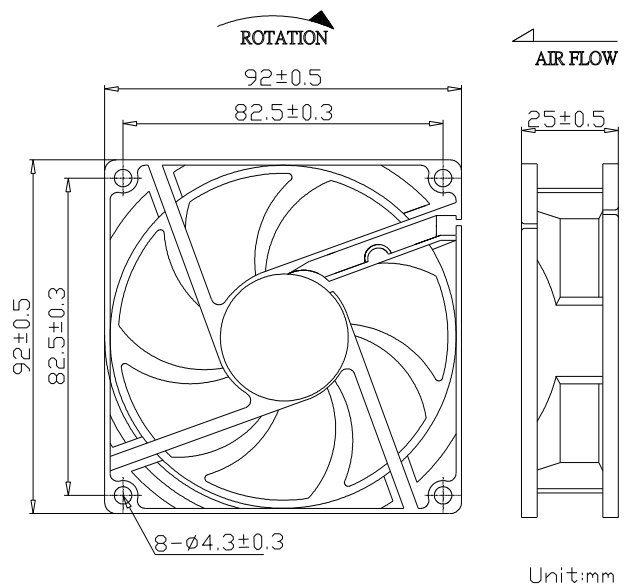
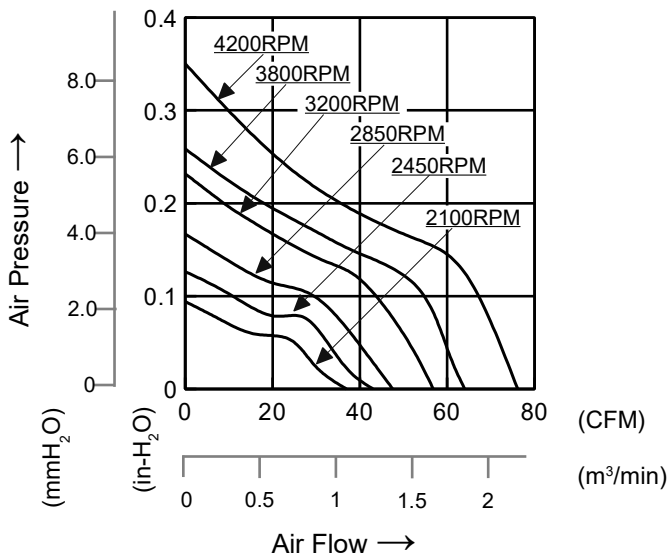
92x92x25mm

- MOTOR : DC single phase brushless motor
- FRAME : PBT (94V-0) ; IMPELLER : PBT(94V-0)
- OPERATING TEMP.: -10°C~70°C
- STORAGE TEMP.: -40°C~70°C
- WEIGHT : 85g



JARO Part Number	*Bearing System B / F	Rated Voltage V	Rated Current A	Rated Speed RPM	Maximum Air Flow		Maximum Static Pressure		Sound Level dBA
					m ³ /min	CFM	mm-H ₂ O	In-H ₂ O	
JCD0922512J_1A0E	B / F	12	0.12	2100	1.05	37.0	2.29	0.09	25
JCD0922512L_1A0E	B / F	12	0.14	2450	1.22	43.0	3.30	0.13	30
JCD0922512M_1A0E	B / F	12	0.17	2850	1.35	47.5	4.32	0.17	34
JCD0922512H_1A0E	B / F	12	0.20	3200	1.61	56.8	5.84	0.23	38
JCD0922512U_1A0E	B / F	12	0.35	3800	1.81	64.0	6.60	0.26	45
JCD0922512V_1A0E	B / F	12	0.41	4200	2.16	76.1	8.89	0.35	49
JCD0922524J_1A0E	B / F	24	0.06	2100	1.05	37.0	2.29	0.09	25
JCD0922524L_1A0E	B / F	24	0.08	2450	1.22	43.0	3.30	0.13	30
JCD0922524M_1A0E	B / F	24	0.10	2850	1.35	47.5	4.32	0.17	34
JCD0922524H_1A0E	B / F	24	0.15	3200	1.61	56.8	5.84	0.23	38
JCD0922524U_1A0E	B / F	24	0.20	3800	1.81	64.0	6.60	0.26	45
JCD0922524V_1A0E	B / F	24	0.22	4200	2.16	76.1	8.89	0.35	49
JCD0922548J_1A0E	B / F	48	0.05	2100	1.05	37.0	2.29	0.09	25
JCD0922548L_1A0E	B / F	48	0.06	2450	1.22	43.0	3.30	0.13	30
JCD0922548M_1A0E	B / F	48	0.08	2850	1.35	47.5	4.32	0.17	34
JCD0922548H_1A0E	B / F	48	0.10	3200	1.61	56.8	5.84	0.23	38

*Bearing system B:two ball bearing F:fluid bearing



*All models can be customized. Please contact your JARO representative for further information.

*Specs are subject to change without notice. Please visit JARO website at <https://jarothermal.com> for update information.



DC FAN



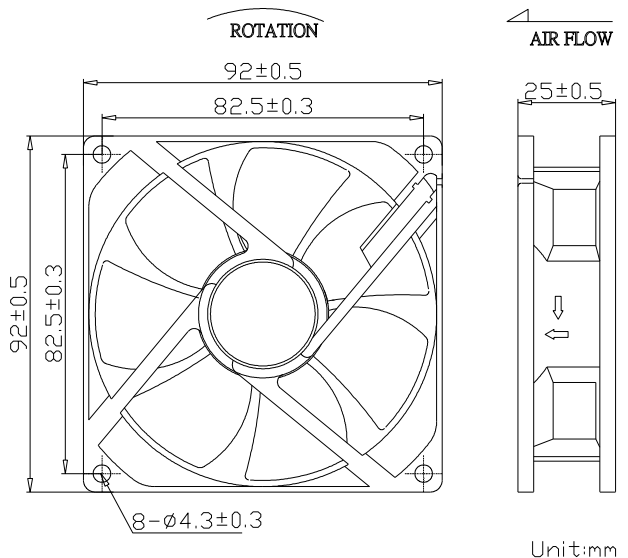
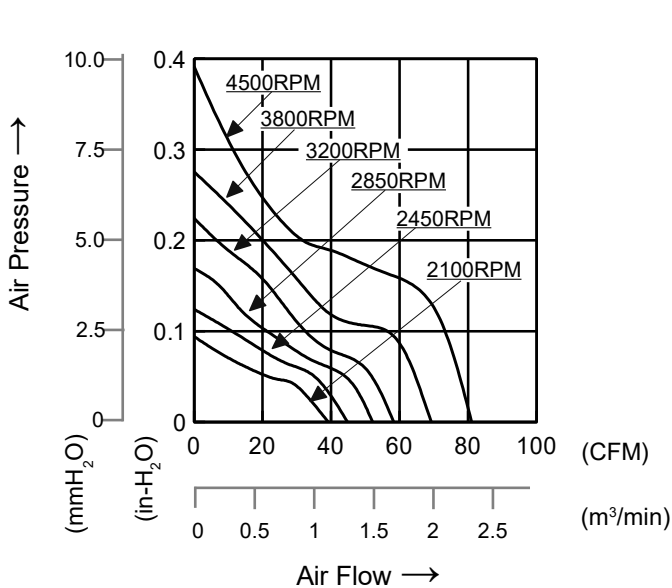
92x92x25mm

- MOTOR : DC single phase brushless motor
- FRAME : PBT (94V-0) ; IMPELLER : PBT(94V-0)
- OPERATING TEMP.: -10°C~70°C
- STORAGE TEMP.: -40°C~70°C
- WEIGHT : 89g



JARO Part Number	*Bearing System B / F	Rated Voltage V	Rated Current A	Rated Speed RPM	Maximum Air Flow		Maximum Static Pressure		Sound Level dBA
					m ³ /min	CFM	mm-H ₂ O	In-H ₂ O	
JCD0922512J_1A0C	B / F	12	0.09	2100	1.11	39.2	2.29	0.09	25
JCD0922512L_1A0C	B / F	12	0.11	2450	1.27	44.8	3.05	0.12	30
JCD0922512M_1A0C	B / F	12	0.14	2850	1.48	52.1	4.32	0.17	34
JCD0922512H_1A0C	B / F	12	0.20	3200	1.65	58.3	5.59	0.22	38
JCD0922512U_1A0C	B / F	12	0.30	3800	1.96	69.2	7.11	0.28	45
JCD0922512V_1A0C	B / F	12	0.41	4500	2.29	81.0	10.16	0.40	49
JCD0922524J_1A0C	B / F	24	0.06	2100	1.11	39.2	2.29	0.09	25
JCD0922524L_1A0C	B / F	24	0.08	2450	1.27	44.8	3.05	0.12	30
JCD0922524M_1A0C	B / F	24	0.13	2850	1.48	52.1	4.32	0.17	34
JCD0922524H_1A0C	B / F	24	0.15	3200	1.65	58.3	5.59	0.22	38
JCD0922524U_1A0C	B / F	24	0.20	3800	1.96	69.2	7.11	0.28	45
JCD0922548J_1A0C	B / F	48	0.05	2100	1.11	39.2	2.29	0.09	25
JCD0922548L_1A0C	B / F	48	0.06	2450	1.27	44.8	3.05	0.12	30
JCD0922548M_1A0C	B / F	48	0.08	2850	1.48	52.1	4.32	0.17	34
JCD0922548H_1A0C	B / F	48	0.12	3200	1.65	58.3	5.59	0.22	38
JCD0922548U_1A0C	B / F	48	0.15	3800	1.96	69.2	7.11	0.28	45

*Bearing system B:two ball bearing F:fluid bearing



*All models can be customized. Please contact your JARO representative for further information.

*Specs are subject to change without notice. Please visit JARO website at <https://jarothermal.com> for update information.



DC FAN



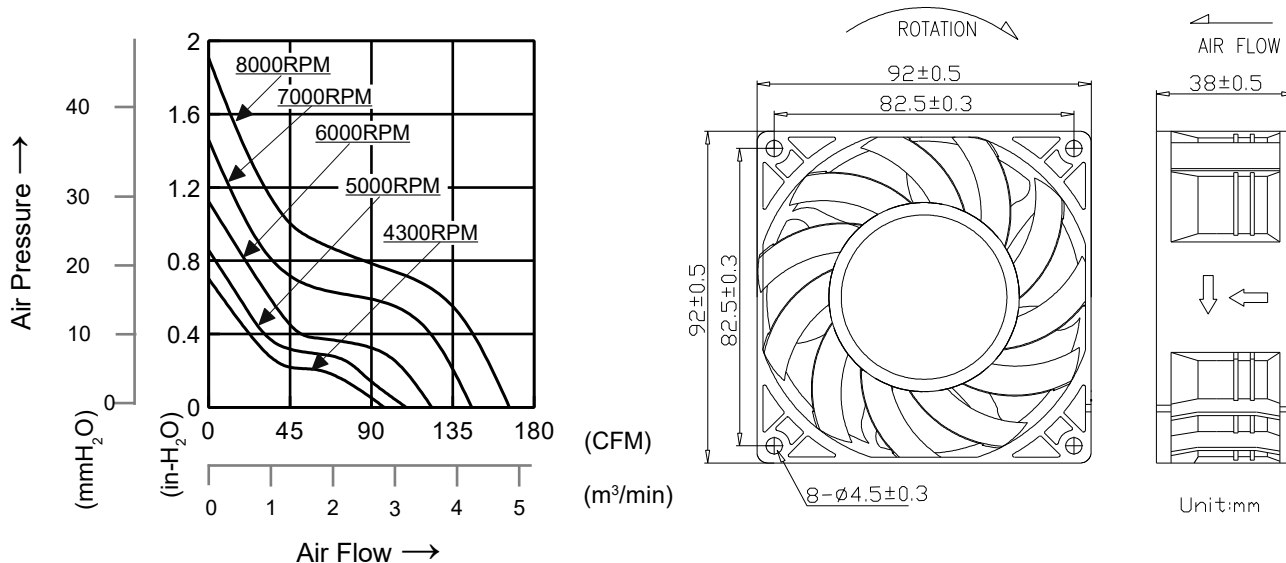
92x92x38mm

- MOTOR : DC single phase brushless motor
- FRAME : PBT (94V-0) ; IMPELLER : PBT(94V-0)
- OPERATING TEMP.: -10°C~70°C
- STORAGE TEMP.: -40°C~70°C
- WEIGHT : 200g



JARO	*Bearing System	Rated Voltage	Rated Current	Rated Speed	Maximum Air Flow		Maximum Static Pressure		Sound Level
Part Number	B / F	V	A	RPM	m ³ /min	CFM	mm-H ₂ O	In-H ₂ O	dBA
JCD0923812LB1A0B	B	12	0.50	4300	2.75	97.1	17.8	0.70	52
JCD0923812MB1A0B	B	12	0.90	5000	3.09	109.2	21.8	0.86	58
JCD0923812HB1A0B	B	12	1.20	6000	3.50	123.4	28.4	1.12	64
JCD0923812UB1A0B	B	12	2.50	7000	4.12	145.6	37.1	1.46	67
JCD0923812VB1A0B	B	12	2.95	8000	4.71	166.4	48.5	1.91	72
JCD0923824LB1A0B	B	24	0.35	4300	2.75	97.1	17.8	0.70	52
JCD0923824MB1A0B	B	24	0.45	5000	3.09	109.2	21.8	0.86	58
JCD0923824HB1A0B	B	24	0.76	6000	3.50	123.4	28.4	1.12	64
JCD0923824UB1A0B	B	24	1.10	7000	4.12	145.6	37.1	1.46	67
JCD0923824VB1A0B	B	24	1.70	8000	4.71	166.4	48.5	1.91	72
JCD0923848LB1A0B	B	48	0.24	4300	2.75	97.1	17.8	0.70	52
JCD0923848MB1A0B	B	48	0.28	5000	3.09	109.2	21.8	0.86	58
JCD0923848HB1A0B	B	48	0.41	6000	3.50	123.4	28.4	1.12	64
JCD0923848UB1A0B	B	48	0.72	7000	4.12	145.6	37.1	1.46	67

*Bearing system B:two ball bearing



*All models can be customized. Please contact your JARO representative for further information.

*Specs are subject to change without notice. Please visit JARO website at <https://jarothermal.com> for update information.



DC FAN



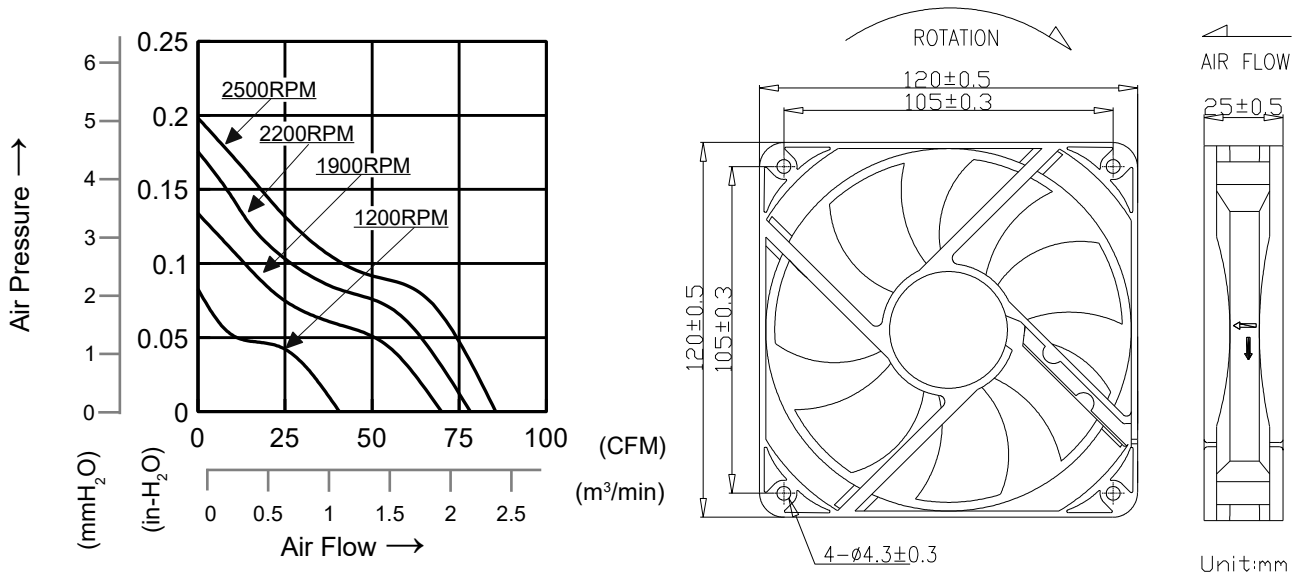
120x120x25mm

- MOTOR : DC single phase brushless motor
- FRAME : PBT (94V-0) ; IMPELLER : PBT(94V-0)
- OPERATING TEMP.: -10°C~70°C
- STORAGE TEMP.: -40°C~70°C
- WEIGHT : 152g



JARO Part Number	*Bearing System	Rated Voltage	Rated Current	Rated Speed	Maximum Air Flow		Maximum Static Pressure		Sound Level
	B / F	V	A	RPM	m ³ /min	CFM	mm-H ₂ O	In-H ₂ O	dBA
JCD1202512J_1A0E	B / F	12	0.08	1200	1.15	40.6	2.03	0.08	19
JCD1202512L_1A0E	B / F	12	0.18	1900	1.97	69.6	3.30	0.13	29
JCD1202512M_1A0E	B / F	12	0.20	2200	2.21	78.2	4.57	0.18	31
JCD1202512H_1A0E	B / F	12	0.28	2500	2.42	85.5	5.08	0.20	36
JCD1202524J_1A0E	B / F	24	0.05	1200	1.15	40.6	2.03	0.08	19
JCD1202524L_1A0E	B / F	24	0.10	1900	1.97	69.6	3.30	0.13	29
JCD1202524M_1A0E	B / F	24	0.18	2200	2.21	78.2	4.57	0.18	31
JCD1202524H_1A0E	B / F	24	0.26	2500	2.42	85.5	5.08	0.20	36

*Bearing system B:two ball bearing F:fluid bearing



*All models can be customized. Please contact your JARO representative for further information.

*Specs are subject to change without notice. Please visit JARO website at <https://jarothermal.com> for update information.



DC FAN



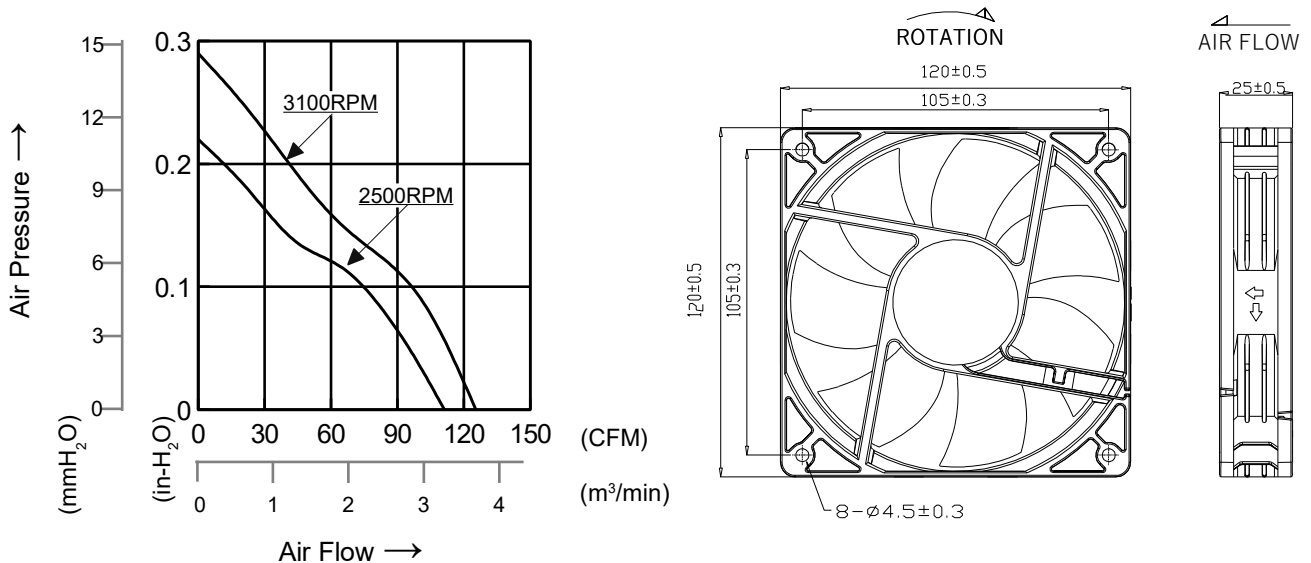
120x120x25mm

- MOTOR : DC single phase brushless motor
- FRAME : PBT (94V-0) ; IMPELLER : PBT(94V-0)
- OPERATING TEMP.: -10°C~70°C
- STORAGE TEMP.: -40°C~70°C
- WEIGHT : 155g



JARO Part Number	*Bearing System B / F	Rated Voltage V	Rated Current A	Rated Speed RPM	Maximum Air Flow		Maximum Static Pressure		Sound Level dBA
					m ³ /min	CFM	mm-H ₂ O	In-H ₂ O	
JCD1202512H_1A0D	B / F	12	0.28	2500	3.15	111.2	5.6	0.22	44
JCD1202512U_1A0D	B / F	12	0.47	3100	3.55	125.4	7.4	0.29	48
JCD1202524H_1A0D	B / F	24	0.25	2500	3.15	111.2	5.6	0.22	44
JCD1202524U_1A0D	B / F	24	0.30	3100	3.55	125.4	7.4	0.29	48
JCD1202548H_1A0D	B / F	48	0.10	2500	3.15	111.2	5.6	0.22	44
JCD1202548U_1A0D	B / F	48	0.12	3100	3.55	125.4	7.4	0.29	48

*Bearing system B:two ball bearing F:fluid bearing



*All models can be customized. Please contact your JARO representative for further information.

*Specs are subject to change without notice. Please visit JARO website at <https://jarothermal.com> for update information.



DC FAN



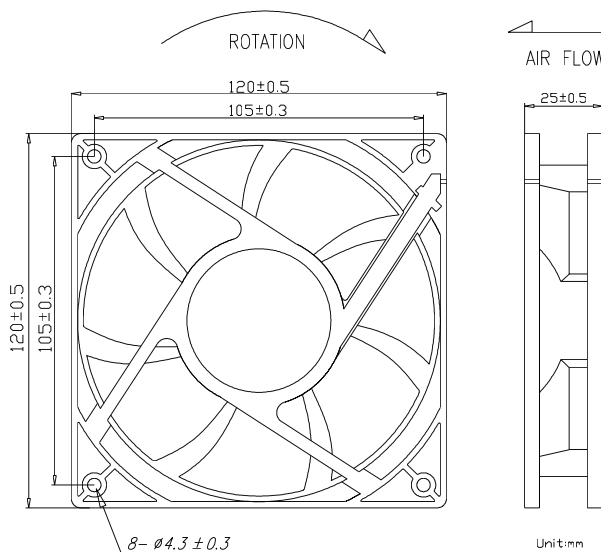
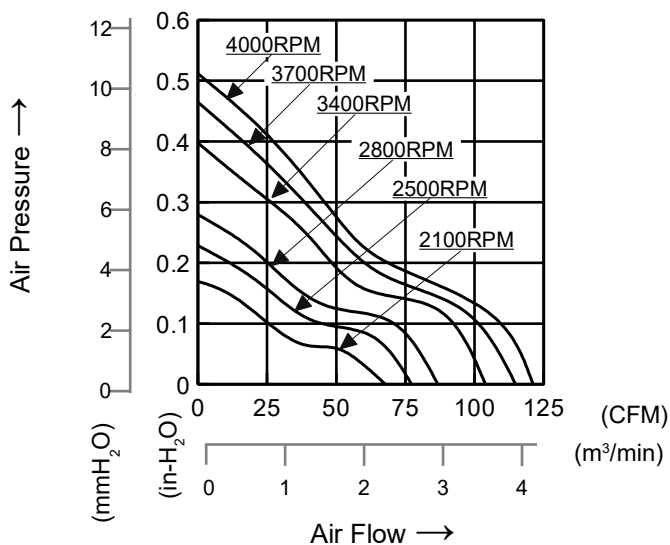
120x120x25mm

- MOTOR : DC single phase brushless motor
- FRAME : PBT (94V-0) ; IMPELLER : PBT(94V-0)
- OPERATING TEMP.: -10°C~70°C
- STORAGE TEMP.: -40°C~70°C
- WEIGHT : 230g



JARO Part Number	*Bearing System	Rated Voltage	Rated Current	Rated Speed	Maximum Air Flow		Maximum Static Pressure		Sound Level
	B / F	V	A	RPM	m ³ /min	CFM	mm-H ₂ O	In-H ₂ O	dBA
JCD1202512JB1A0C	B	12	0.20	2100	1.92	67.7	4.32	0.17	35
JCD1202512LB1A0C	B	12	0.30	2500	2.19	77.2	5.84	0.23	39
JCD1202512MB1A0C	B	12	0.48	2800	2.46	86.7	7.11	0.28	42
JCD1202512HB1A0C	B	12	0.50	3400	2.94	103.9	10.16	0.40	47
JCD1202512UB1A0C	B	12	0.62	3700	3.25	114.8	11.68	0.46	50
JCD1202512VB1A0C	B	12	0.65	4000	3.43	121.1	12.95	0.51	52
JCD1202524JB1A0C	B	24	0.12	2100	1.92	67.7	4.32	0.17	35
JCD1202524JB1A0C	B	24	0.17	2500	2.19	77.2	5.84	0.23	39
JCD1202524MB1A0C	B	24	0.23	2800	2.46	86.7	7.11	0.28	42
JCD1202524HB1A0C	B	24	0.28	3400	2.94	103.9	10.16	0.4	47
JCD1202524UB1A0C	B	24	0.30	3700	3.25	114.8	11.68	0.46	50
JCD1202524VB1A0C	B	24	0.40	4000	3.43	121.1	12.95	0.51	52
JCD1202548LB1A0C	B	48	0.10	2500	2.19	77.2	5.84	0.23	39
JCD1202548MB1A0C	B	48	0.11	2800	2.46	86.7	7.11	0.28	42
JCD1202548HB1A0C	B	48	0.12	3400	2.94	103.9	10.16	0.40	47

*Bearing system B:two ball bearing



*All models can be customized. Please contact your JARO representative for further information.

*Specs are subject to change without notice. Please visit JARO website at <https://jarothermal.com> for update information.



DC FAN



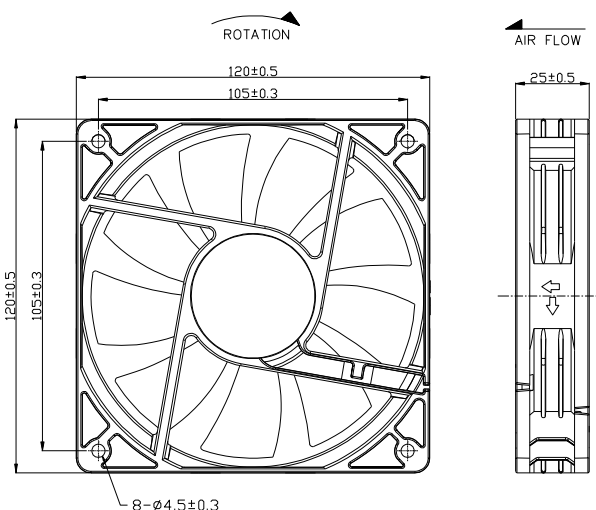
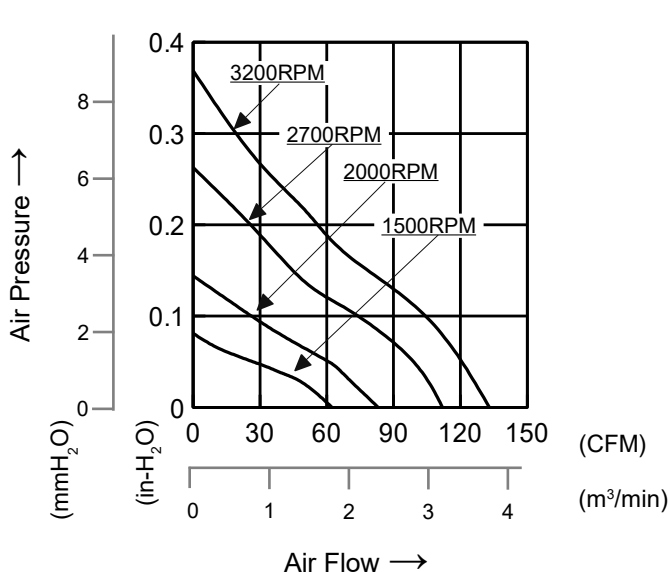
120x120x25mm

- MOTOR : DC single phase brushless motor
- FRAME : PBT (94V-0) ; IMPELLER : PBT(94V-0)
- OPERATING TEMP.: -10°C~70°C
- STORAGE TEMP.: -40°C~70°C
- WEIGHT : 230g



JARO Part Number	*Bearing System	Rated Voltage	Rated Current	Rated Speed	Maximum Air Flow		Maximum Static Pressure		Sound Level
	B / F	V	A	RPM	m ³ /min	CFM	mm-H ₂ O	In-H ₂ O	dBA
JCD1202512JB1A0T	B	12	0.15	1500	1.77	62.4	2.03	0.08	30
JCD1202512LB1A0T	B	12	0.25	2000	2.35	83.1	3.56	0.14	36
JCD1202512MB1A0T	B	12	0.40	2700	3.18	112.2	6.60	0.26	44
JCD1202512HB1A0T	B	12	0.65	3200	3.76	133.0	9.40	0.37	50
JCD1202524JB1A0T	B	24	0.10	1500	1.77	62.4	2.03	0.08	30
JCD1202524LB1A0T	B	24	0.15	2000	2.35	83.1	3.56	0.14	36
JCD1202524MB1A0T	B	24	0.20	2700	3.18	112.2	6.60	0.26	44
JCD1202524HB1A0T	B	24	0.35	3200	3.76	133.0	9.40	0.37	50

*Bearing system B:two ball bearing



*All models can be customized. Please contact your JARO representative for further information.

*Specs are subject to change without notice. Please visit JARO website at <https://jarothermal.com> for update information.



DC FAN



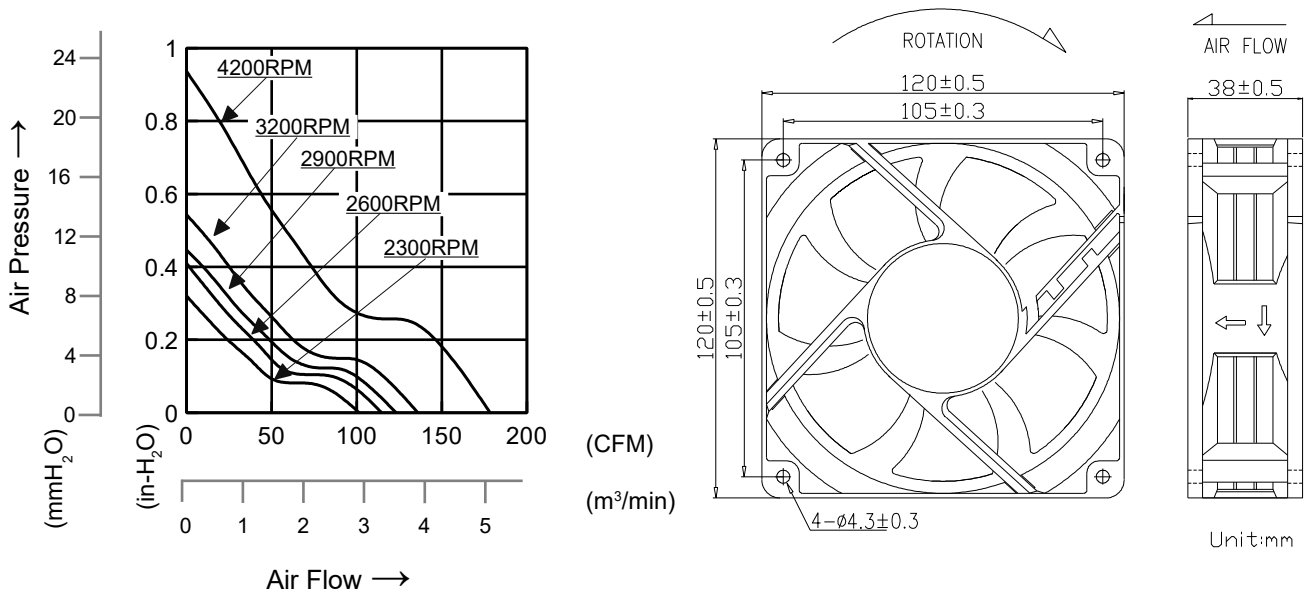
120x120x38mm

- MOTOR : DC single phase brushless motor
- FRAME : PBT (94V-0) ; IMPELLER : PBT(94V-0)
- OPERATING TEMP.: -10°C~70°C
- STORAGE TEMP.: -40°C~70°C
- WEIGHT : 260g



JARO Part Number	*Bearing System	Rated Voltage	Rated Current	Rated Speed	Maximum Air Flow		Maximum Static Pressure		Sound Level
	B / F	V	A	RPM	m ³ /min	CFM	mm-H ₂ O	In-H ₂ O	dBA
JCD1203812MB1A0E	B	12	0.18	2300	2.87	101.4	8.13	0.32	38
JCD1203812HB1A0E	B	12	0.40	2600	3.25	114.7	10.41	0.41	41
JCD1203812UB1A0E	B	12	0.75	2900	3.49	123.2	11.43	0.45	44
JCD1203812VB1A0E	B	12	0.80	3200	3.85	135.9	13.72	0.54	48
JCD1203812WB1A0E	B	12	1.55	4200	5.05	178.4	23.88	0.94	54
JCD1203824LB1A0E	B	24	0.14	2300	2.87	101.4	8.13	0.32	38
JCD1203824MB1A0E	B	24	0.30	2600	3.25	114.7	10.41	0.41	41
JCD1203824HB1A0E	B	24	0.48	2900	3.49	123.2	11.43	0.45	44
JCD1203824UB1A0E	B	24	0.62	3200	3.85	135.9	13.72	0.54	48
JCD1203824VB1A0E	B	24	0.85	4200	5.05	178.4	23.88	0.94	54
JCD1203848B1A0E	B	48	0.10	2300	2.87	101.4	8.13	0.32	38
JCD1203848JB1A0E	B	48	0.14	2600	3.25	114.7	10.41	0.41	41
JCD1203848LB1A0E	B	48	0.25	2900	3.49	123.2	11.43	0.45	44
JCD1203848MB1A0E	B	48	0.30	3200	3.85	135.9	13.72	0.54	48
JCD1203848HB1A0E	B	48	0.48	4200	5.05	178.4	23.88	0.94	54

*Bearing system B:two ball bearing



*All models can be customized. Please contact your JARO representative for further information.

*Specs are subject to change without notice. Please visit JARO website at <https://jarothermal.com> for update information.



DC FAN



Metal Frame

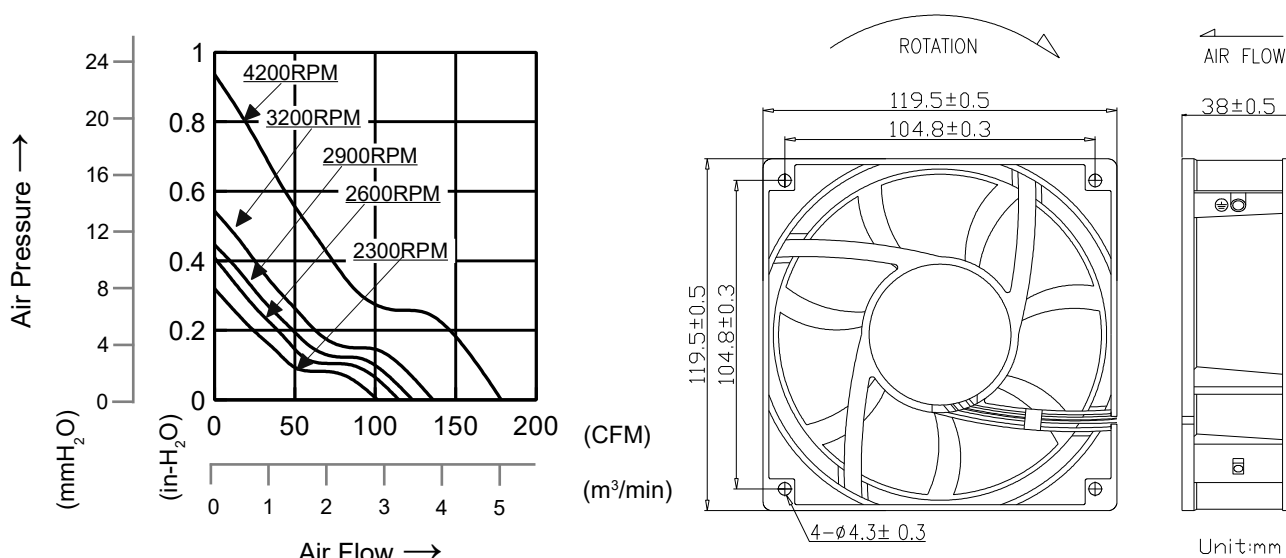
120x120x38mm

- MOTOR : DC single phase brushless motor
- FRAME : METAL ; IMPELLER : PBT(94V-0)
- OPERATING TEMP.: -10°C~70°C
- STORAGE TEMP.: -40°C~70°C
- WEIGHT : 320g



JARO Part Number	*Bearing System	Rated Voltage	Rated Current	Rated Speed	Maximum Air Flow		Maximum Static Pressure		Sound Level
	B / F	V	A	RPM	m ³ /min	CFM	mm-H ₂ O	In-H ₂ O	dBA
JCD1203812LB1A0F	B	12	0.40	2600	3.25	114.7	10.4	0.41	41
JCD1203812MB1A0F	B	12	0.50	2900	3.49	123.2	11.4	0.45	44
JCD1203812HB1A0F	B	12	0.80	3200	3.85	135.9	13.7	0.54	48
JCD1203812UB1A0F	B	12	1.60	4200	5.05	178.4	23.9	0.94	54
JCD1203824JB1A0F	B	24	0.18	2300	2.87	101.4	8.12	0.32	38
JCD1203824LB1A0F	B	24	0.25	2600	3.25	114.7	10.4	0.41	41
JCD1203824MB1A0F	B	24	0.40	2900	3.49	123.2	11.4	0.45	44
JCD1203824HB1A0F	B	24	0.46	3200	3.85	135.9	13.7	0.54	48
JCD1203824UB1A0F	B	24	0.80	4200	5.05	178.4	23.9	0.94	54
JCD1203848JB1A0F	B	48	0.09	2300	2.87	101.4	8.12	0.32	38
JCD1203848LB1A0F	B	48	0.18	2600	3.25	114.7	10.4	0.41	41
JCD1203848MB1A0F	B	48	0.20	2900	3.49	123.2	11.4	0.45	44
JCD1203848HB1A0F	B	48	0.30	3200	3.85	135.9	13.7	0.54	48
JCD1203848UB1A0F	B	48	0.53	4200	5.05	178.4	23.9	0.94	54

*Bearing system B:two ball bearing



*All models can be customized. Please contact your JARO representative for further information.

*Specs are subject to change without notice. Please visit JARO website at <https://jarothermal.com> for update information.



DC FAN



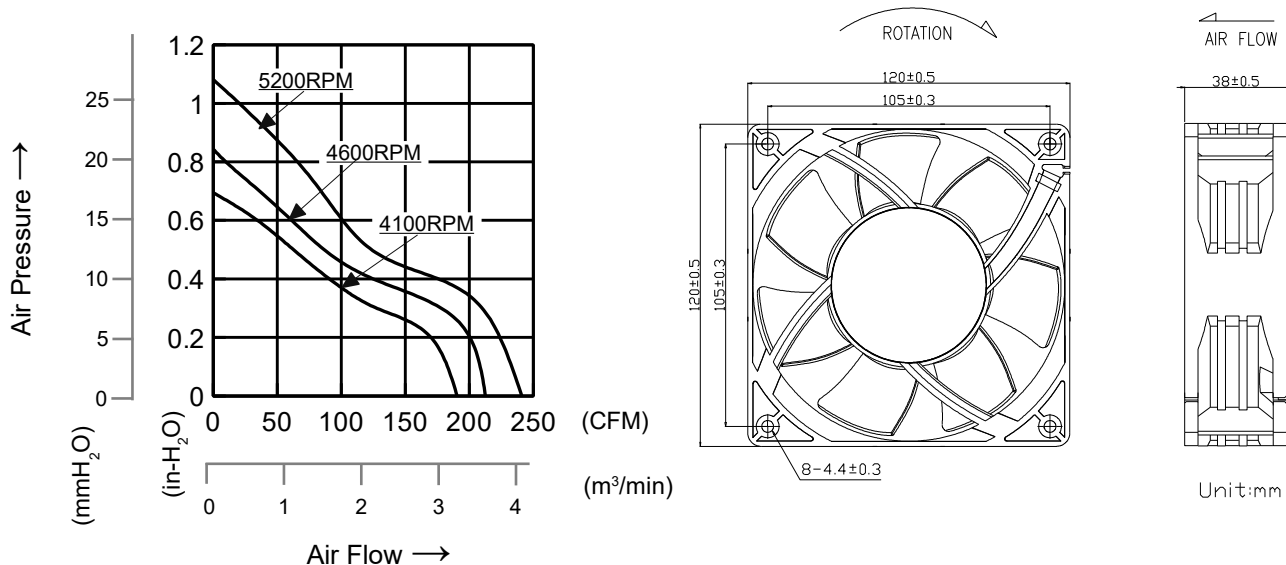
120x120x38mm

- MOTOR : DC single phase brushless motor
- FRAME : PBT (94V-0) ; IMPELLER : PBT(94V-0)
- OPERATING TEMP.: -10°C~70°C
- STORAGE TEMP.: -40°C~70°C
- WEIGHT : 280g



JARO Part Number	*Bearing System	Rated Voltage	Rated Current	Rated Speed	Maximum Air Flow		Maximum Static Pressure		Sound Level
	B / F	V	A	RPM	m ³ /min	CFM	mm-H ₂ O	In-H ₂ O	dBA
JCD1203812JB1A0D	B	12	1.50	4100	5.40	190.5	17.53	0.69	56
JCD1203812LB1A0D	B	12	1.75	4600	6.02	212.6	21.34	0.84	59
JCD1203824JB1A0D	B	24	0.70	4100	5.40	190.5	17.53	0.69	56
JCD1203824LB1A0D	B	24	0.85	4600	6.02	212.6	21.34	0.84	59
JCD1203824MB1A0D	B	24	1.45	5200	6.83	241.0	27.43	1.08	62
JCD1203848JB1A0D	B	48	0.41	4100	5.40	190.5	17.53	0.69	56
JCD1203848LB1A0D	B	48	0.47	4600	6.02	212.6	21.34	0.84	59
JCD1203848MB1A0D	B	48	0.55	5200	6.83	241.0	27.43	1.08	62

*Bearing system B:two ball bearing



*All models can be customized. Please contact your JARO representative for further information.

*Specs are subject to change without notice. Please visit JARO website at <https://jarothermal.com> for update information.



DC FAN



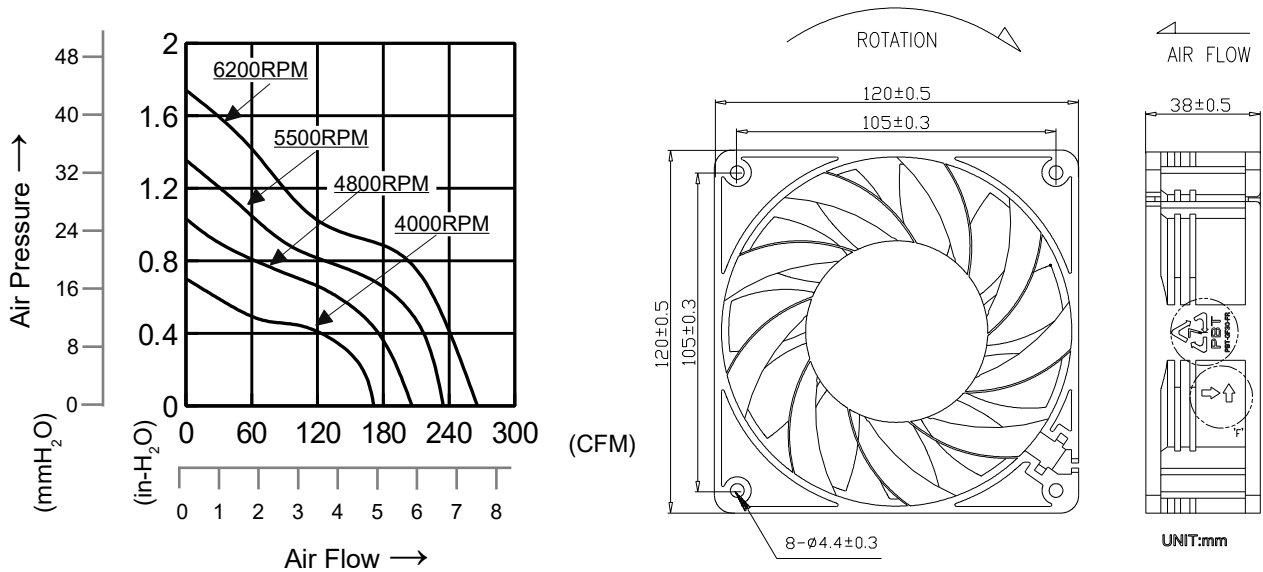
120x120x38mm

- MOTOR : DC single phase brushless motor
- FRAME : PBT (94V-0) ; IMPELLER : PBT(94V-0)
- OPERATING TEMP.: -10°C~70°C
- STORAGE TEMP.: -40°C~70°C
- WEIGHT : 450g



JARO Part Number	*Bearing System	Rated Voltage	Rated Current	Rated Speed	Maximum Air Flow		Maximum Static Pressure		Sound Level
	B / F	V	A	RPM	m ³ /min	CFM	mm-H ₂ O	In-H ₂ O	dBa
JCD1203812LB1A0B	B	12	2.00	4000	4.85	171.4	17.78	0.70	60
JCD1203812MB1A0B	B	12	2.50	4800	5.84	206.3	26.16	1.03	65
JCD1203812HB1A0B	B	12	3.88	5500	6.65	234.7	34.29	1.35	69
JCD1203824LB1A0B	B	24	1.30	4000	4.85	171.4	17.78	0.70	60
JCD1203824MB1A0B	B	24	1.80	4800	5.84	206.3	26.16	1.03	65
JCD1203824HB1A0B	B	24	2.50	5500	6.65	234.7	34.29	1.35	69
JCD1203824UB1A0B	B	24	2.72	6200	7.53	265.8	44.20	1.74	72
JCD1203848LB1A0B	B	48	0.60	4000	4.85	171.4	17.78	0.70	60
JCD1203848MB1A0B	B	48	0.90	4800	5.84	206.3	26.16	1.03	65
JCD1203848HB1A0B	B	48	1.20	5500	6.65	234.7	34.29	1.35	69
JCD1203848UB1A0B	B	48	1.30	6200	7.53	265.8	44.20	1.74	72

*Bearing system B:two ball bearing



*All models can be customized. Please contact your JARO representative for further information.

*Specs are subject to change without notice. Please visit JARO website at <https://jarothermal.com> for update information.



DC FAN



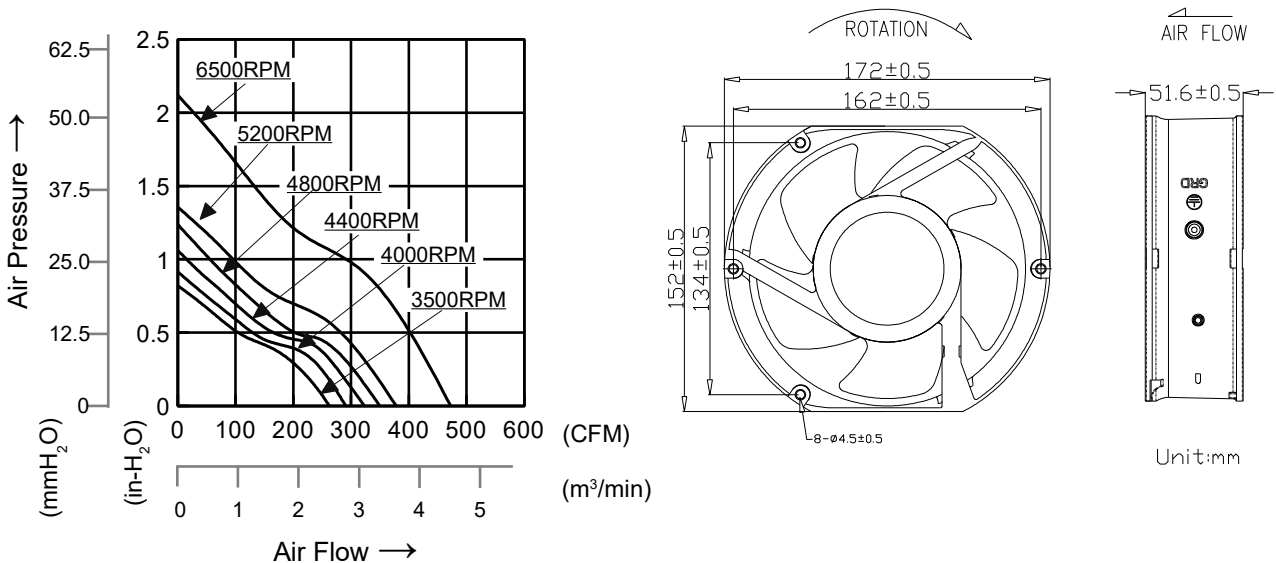
172x150x51mm

- MOTOR : DC single phase brushless motor
- FRAME : METAL ; IMPELLER : PBT(94V-0)
- OPERATING TEMP.: -10°C~70°C
- STORAGE TEMP.: -40°C~70°C
- WEIGHT : 610g



JARO Part Number	*Bearing System	Rated Voltage	Rated Current	Rated Speed	Maximum Air Flow		Maximum Static Pressure		Sound Level
	B / F	V	A	RPM	m ³ /min	CFM	mm-H ₂ O	In-H ₂ O	dBA
JCD1725124JB1A0E	B	24	0.75	3500	7.44	263.0	20.83	0.82	57
JCD1725124LB1A0E	B	24	1.00	4000	8.24	291.0	23.11	0.91	62
JCD1725124MB1A0E	B	24	1.40	4400	9.14	323.0	26.92	1.06	64
JCD1725124HB1A0E	B	24	1.60	4800	9.90	350.0	31.50	1.24	66
JCD1725124UB1A0E	B	24	2.40	5200	10.70	378.0	34.54	1.36	68
JCD1725148JB1A0E	B	48	0.50	3500	7.44	263.0	20.83	0.82	57
JCD1725148LB1A0E	B	48	0.50	4000	8.24	291.0	23.11	0.91	62
JCD1725148MB1A0E	B	48	0.70	4400	9.14	323.0	26.92	1.06	64
JCD1725148HB1A0E	B	48	0.80	4800	9.90	350.0	31.50	1.24	66
JCD1725148UB1A0E	B	48	1.00	5200	10.70	378.0	34.54	1.36	68
JCD1725148VB1A0E	B	48	2.30	6500	13.37	472.5	53.85	2.12	73

*Bearing system B:two ball bearing



*All models can be customized. Please contact your JARO representative for further information.

*Specs are subject to change without notice. Please visit JARO website at <https://jarothermal.com> for update information.



DC FAN



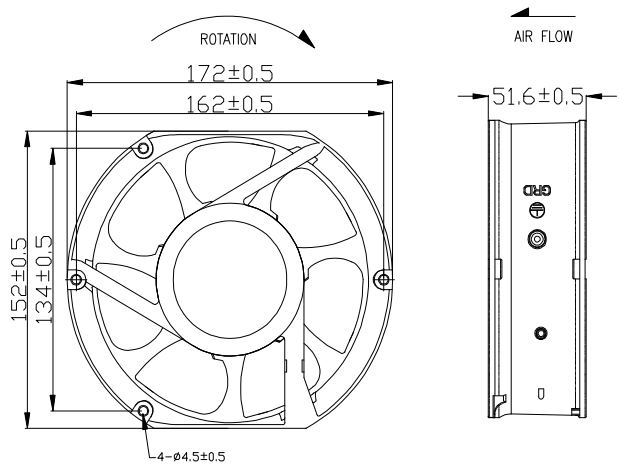
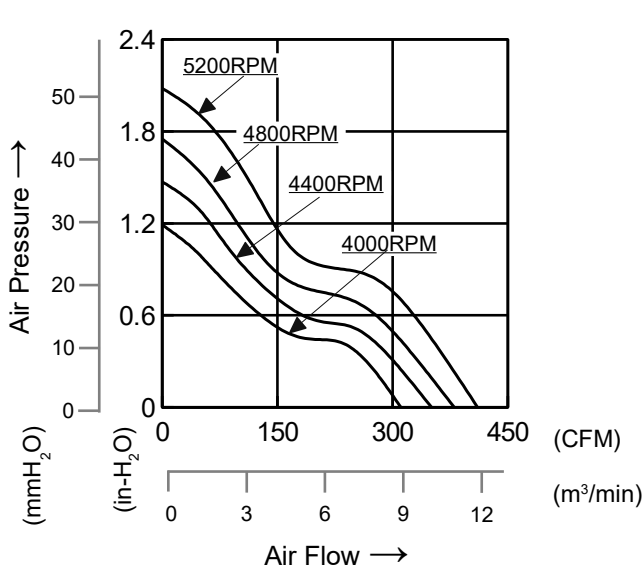
172x150x51mm

- MOTOR : DC single phase brushless motor
- FRAME : METAL ; IMPELLER : PBT(94V-0)
- OPERATING TEMP.: -10°C~70°C
- STORAGE TEMP.: -40°C~70°C
- WEIGHT : 700g



JARO Part Number	*Bearing System	Rated Voltage	Rated Current	Rated Speed	Maximum Air Flow		Maximum Static Pressure		Sound Level
	B / F	V	A	RPM	m ³ /min	CFM	mm-H ₂ O	In-H ₂ O	dBA
JCD1725124LB1A0F	B	24	1.00	4000	8.80	310.6	30.23	1.19	60
JCD1725124MB1A0F	B	24	1.40	4400	9.93	350.5	37.34	1.47	62
JCD1725124HB1A0F	B	24	1.60	4800	10.77	380.3	44.45	1.75	64
JCD1725124UB1A0F	B	24	2.40	5200	11.63	410.5	52.83	2.08	67
JCD1725148LB1A0F	B	24	0.71	4000	8.80	310.6	30.23	1.19	60
JCD1725148MB1A0F	B	48	0.88	4400	9.93	350.5	37.34	1.47	62
JCD1725148HB1A0F	B	48	1.22	4800	10.77	380.3	44.45	1.75	64
JCD1725148UB1A0F	B	48	1.52	5200	11.63	410.5	52.83	2.08	67

*Bearing system B:two ball bearing



*All models can be customized. Please contact your JARO representative for further information.

*Specs are subject to change without notice. Please visit JARO website at <https://jarothermal.com> for update information.



DC FAN



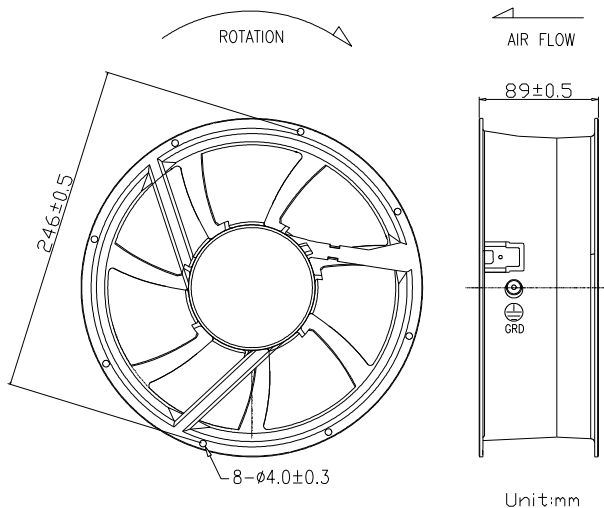
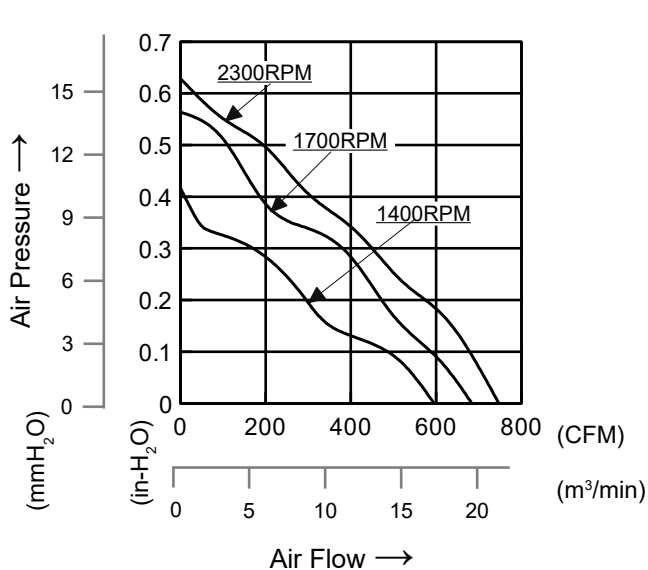
254x89mm

- MOTOR : DC single phase brushless motor
- FRAME : METAL ; IMPELLER : PBT(94V-0)
- OPERATING TEMP.: -10°C~70°C
- STORAGE TEMP.: -40°C~70°C
- WEIGHT : 1.6kg



JARO Part Number	*Bearing System	Rated Voltage	Rated Current	Rated Speed	Maximum Air Flow		Maximum Static Pressure		Sound Level
	B / F	V	A	RPM	m ³ /min	CFM	mm-H ₂ O	In-H ₂ O	dBA
JCD2548924L_1A0E	B	24	0.80	1400	16.85	595.0	12.45	0.49	59
JCD2548924M_1A0E	B	24	1.30	1700	19.37	684.0	14.22	0.56	63
JCD2548924H_1A0E	B	24	2.20	2300	21.16	747.0	16.00	0.63	71
JCD2548948L_1A0E	B	48	0.63	1400	16.85	595.0	12.45	0.49	59
JCD2548948M_1A0E	B	48	1.00	1700	19.37	684.0	14.22	0.56	63
JCD2548948H_1A0E	B	48	1.50	2300	21.16	747.0	16.00	0.63	71

*Bearing system B:two ball bearing



*All models can be customized. Please contact your JARO representative for further information.

*Specs are subject to change without notice. Please visit JARO website at <https://jarothermal.com> for update information.



DC BLOWER



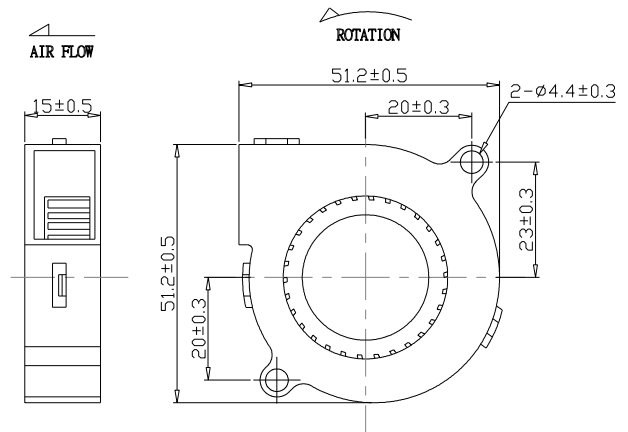
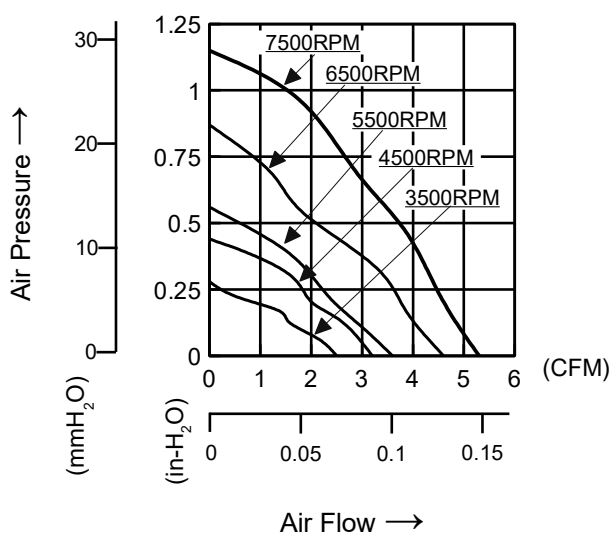
51x51x15mm

- MOTOR : DC single phase brushless motor
- FRAME : PBT (94V-0) ; IMPELLER : PBT(94V-0)
- OPERATING TEMP.: -10°C~70°C
- STORAGE TEMP.: -40°C~70°C
- WEIGHT : 30g



JAROB Part Number	*Bearing System	Rated Voltage	Rated Current	Rated Speed	Maximum Air Flow		Maximum Static Pressure		Sound Level
	B	V	A	RPM	m ³ /min	CFM	mm-H ₂ O	In-H ₂ O	dB(A)
JCB0511505LB1A0E	B	5	0.09	3500	0.07	2.5	7.0	0.28	27
JCB0511505MB1A0E	B	5	0.12	4500	0.09	3.2	11.20	0.44	33
JCB0511505HB1A0E	B	5	0.18	5500	0.10	3.6	14.10	0.55	37
JCB0511505UB1A0E	B	5	0.28	6500	0.13	4.6	22.00	0.87	45
JCB05115012LB1A0E	B	12	0.06	3500	0.07	2.5	7.0	0.28	27
JCB0511512MB1A0E	B	12	0.07	4500	0.09	3.2	11.20	0.44	33
JCB0511512HB1A0E	B	12	0.09	5500	0.10	3.6	14.10	0.55	37
JCB0511512UB1A0E	B	12	0.15	6500	0.13	4.6	22.00	0.87	45
JCB0511512VB1A0E	B	12	0.20	7500	0.15	5.3	29.28	1.15	45
JCB0511524MB1A0E	B	24	0.05	4500	0.09	3.2	11.20	0.44	33
JCB0511524HB1A0E	B	24	0.07	5500	0.10	3.6	14.10	0.55	37
JCB0511524UB1A0E	B	24	0.12	6500	0.13	4.6	22.00	0.87	45

*Bearing system B: two ball bearing



*All models can be customized. Please contact your JARO representative for further information.

*Specs are subject to change without notice. Please visit JARO website at <https://jarothermal.com> for update information.



DC BLOWER



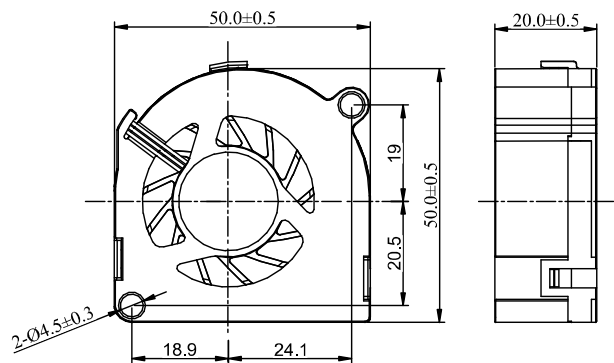
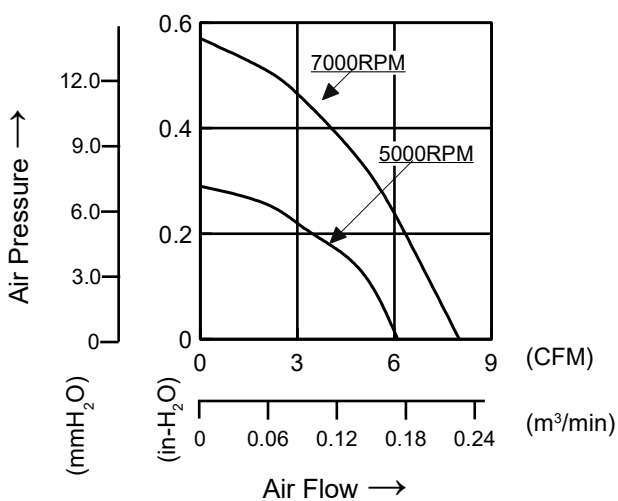
50x50x20mm

- MOTOR : DC single phase brushless motor
- FRAME : PBT (94V-0) ; IMPELLER : PBT(94V-0)
- OPERATING TEMP.: -10°C~70°C
- STORAGE TEMP.: -40°C~70°C
- WEIGHT : 38g



JARO Part Number	*Bearing System	Rated Voltage	Rated Current	Rated Speed	Maximum Air Flow		Maximum Static Pressure		Sound Level
	B / F	V	A	RPM	m ³ /min	CFM	mm-H ₂ O	In-H ₂ O	dBA
JCB0502005MB1A0E	B	5	0.18	5000	0.17	6.1	7.40	0.29	33
JCB0502012MB1A0E	B	12	0.08	5000	0.17	6.1	7.40	0.29	33
JCB0502012HB1A0E	B	12	0.21	7000	0.23	8.0	14.49	0.57	50

*Bearing system B:two ball bearing

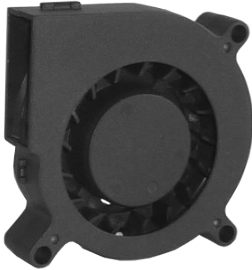


*All models can be customized. Please contact your JARO representative for further information.

*Specs are subject to change without notice. Please visit JARO website at <https://jarothermal.com> for update information.



DC BLOWER



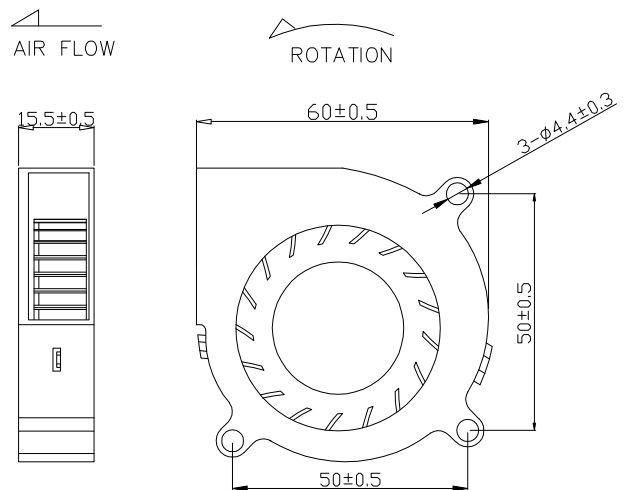
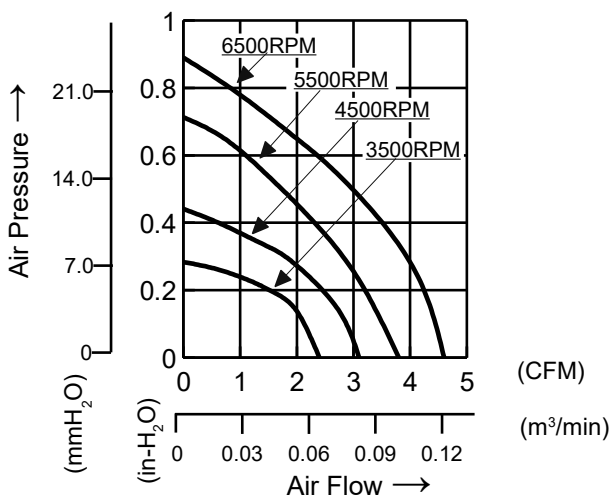
60x60x15mm

- MOTOR : DC single phase brushless motor
- FRAME : PBT (94V-0) ; IMPELLER : PBT(94V-0)
- OPERATING TEMP.: -10°C~70°C
- STORAGE TEMP.: -40°C~70°C
- WEIGHT : 40g



JARO Part Number	*Bearing System	Rated Voltage	Rated Current	Rated Speed	Maximum Air Flow		Maximum Static Pressure		Sound Level
	B	V	A	RPM	m ³ /min	CFM	mm-H ₂ O	In-H ₂ O	dBA
JCB0601512LB1A0E	B	12	0.07	3500	0.07	2.4	7.20	0.28	27
JCB0601512MB1A0E	B	12	0.09	4500	0.09	3.1	11.20	0.44	33
JCB0601512HB1A0E	B	12	0.11	5500	0.11	3.8	18.09	0.71	37
JCB0601512UB1A0E	B	12	0.13	6500	0.13	4.6	22.60	0.89	45

*Bearing system B:two ball bearing



*All models can be customized. Please contact your JARO representative for further information.

*Specs are subject to change without notice. Please visit JARO website at <https://jarothermal.com> for update information.



DC BLOWER



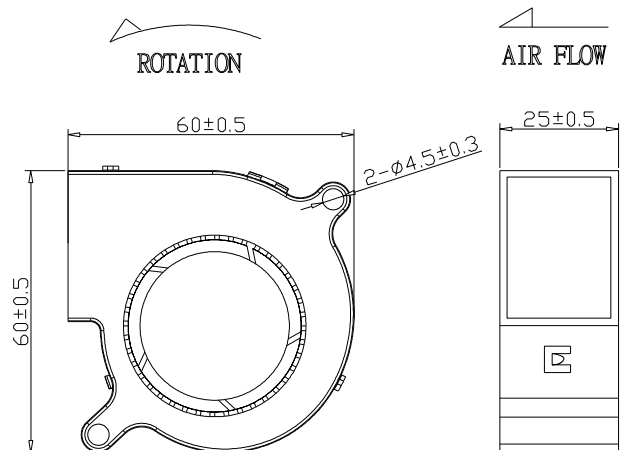
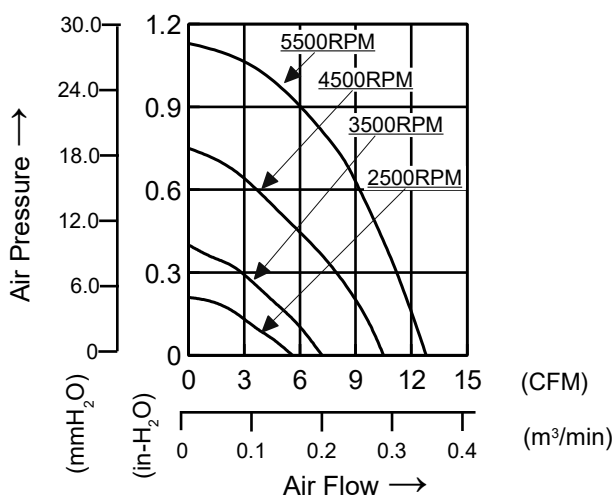
60x60x25mm

- MOTOR : DC single phase brushless motor
- FRAME : PBT (94V-0) ; IMPELLER : PBT(94V-0)
- OPERATING TEMP.: -10°C~70°C
- STORAGE TEMP.: -40°C~70°C
- WEIGHT : 45g



JARO Part Number	*Bearing System	Rated Voltage	Rated Current	Rated Speed	Maximum Air Flow		Maximum Static Pressure		Sound Level
	B / F	V	A	RPM	m ³ /min	CFM	mm-H ₂ O	In-H ₂ O	dBA
JCB0602512JB1A0E	B / F	12	0.10	2500	0.16	5.6	5.40	0.21	24
JCB0602512LB1A0E	B / F	12	0.25	3500	0.20	7.2	10.20	0.40	27
JCB0602512MB1A0E	B / F	12	0.40	4500	0.30	10.5	19.15	0.75	41
JCB0602512HB1A0E	B / F	12	0.50	5500	0.36	12.8	28.82	1.13	47

*Bearing system B:two ball bearing F:fluid bearing



*All models can be customized. Please contact your JARO representative for further information.

*Specs are subject to change without notice. Please visit JARO website at <https://jarothermal.com> for update information.



DC BLOWER



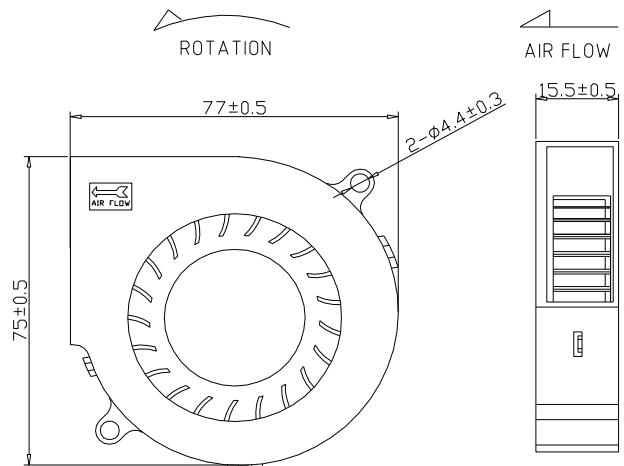
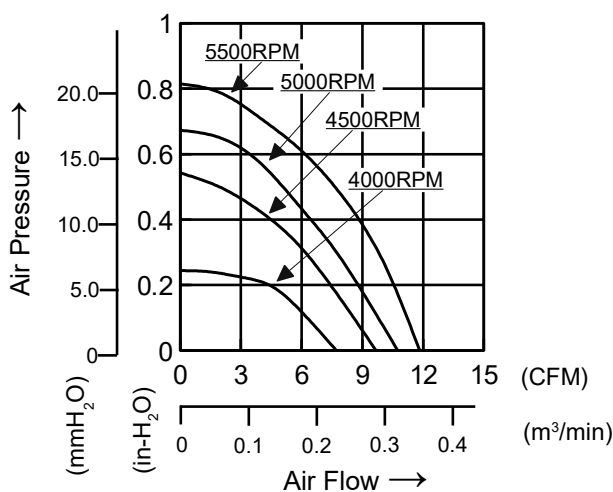
75x77x15mm

- MOTOR : DC single phase brushless motor
- FRAME : PBT (94V-0) ; IMPELLER : PBT(94V-0)
- OPERATING TEMP.: -10°C~70°C
- STORAGE TEMP.: -40°C~70°C
- WEIGHT : 45g



JARO Part Number	*Bearing System	Rated Voltage	Rated Current	Rated Speed	Maximum Air Flow		Maximum Static Pressure		Sound Level
	B	V	A	RPM	m ³ /min	CFM	mm-H ₂ O	In-H ₂ O	dBa
JCB0751512LB1A0E	B	12	0.21	4000	0.21	7.4	6.20	0.24	43
JCB0751512MB1A0E	B	12	0.32	4500	0.27	9.7	13.80	0.54	47
JCB0751512HB1A0E	B	12	0.40	5000	0.31	10.8	17.10	0.67	49
JCB0751512UB1A0E	B	12	0.50	5500	0.34	11.9	20.75	0.81	51

*Bearing system B:two ball bearing



*All models can be customized. Please contact your JARO representative for further information.

*Specs are subject to change without notice. Please visit JARO website at <https://jarothermal.com> for update information.



DC BLOWER



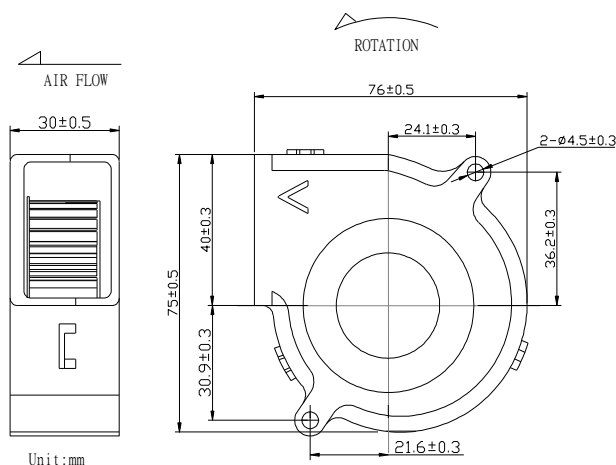
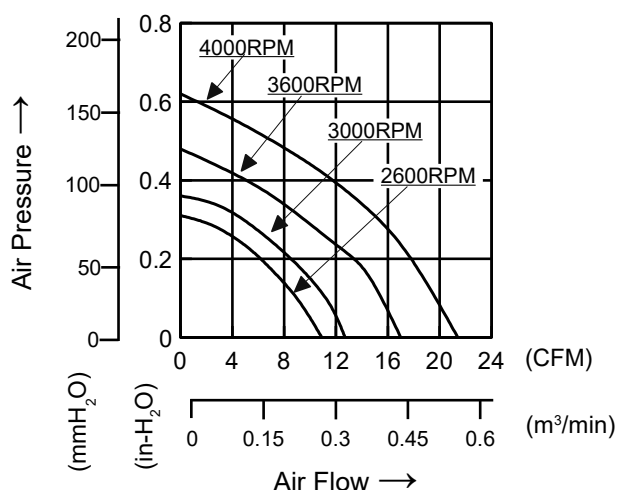
75x76x30mm

- MOTOR : DC single phase brushless motor
- FRAME : PBT (94V-0) ; IMPELLER : PBT(94V-0)
- OPERATING TEMP.: -10°C~70°C
- STORAGE TEMP.: -40°C~70°C
- WEIGHT :100g



JARO Part Number	*Bearing System	Rated Voltage	Rated Current	Rated Speed	Maximum Air Flow		Maximum Static Pressure		Sound Level
	B / F	V	A	RPM	m ³ /min	CFM	mm-H ₂ O	In-H ₂ O	dBA
JCB0753012JB1A0E	B / F	12	0.24	2600	0.31	10.9	7.87	0.31	32
JCB0753012LB1A0E	B / F	12	0.30	3000	0.36	12.7	9.14	0.36	41
JCB0753012MB1A0E	B / F	12	0.38	3600	0.48	17.0	12.19	0.48	48
JCB0753012HB1A0E	B / F	12	0.45	4000	0.61	21.4	15.75	0.62	51
JCB0753024JB1A0E	B / F	24	0.13	2600	0.31	10.9	7.87	0.31	32
JCB0753024LB1A0E	B / F	24	0.16	3000	0.36	12.7	9.14	0.36	41
JCB0753024MB1A0E	B / F	24	0.22	3600	0.48	17.0	12.19	0.48	48
JCB0753024HB1A0E	B / F	24	0.26	4000	0.61	21.4	15.75	0.62	51

*Bearing system B:two ball bearing F:fluid bearing



*All models can be customized. Please contact your JARO representative for further information.

*Specs are subject to change without notice. Please visit JARO website at <https://jarothermal.com> for update information.



DC BLOWER



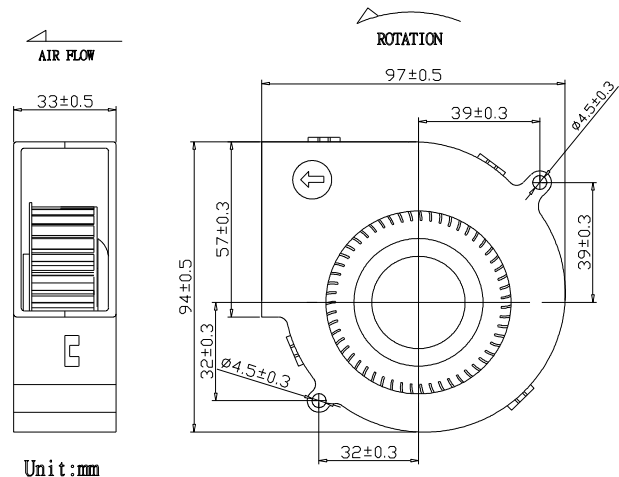
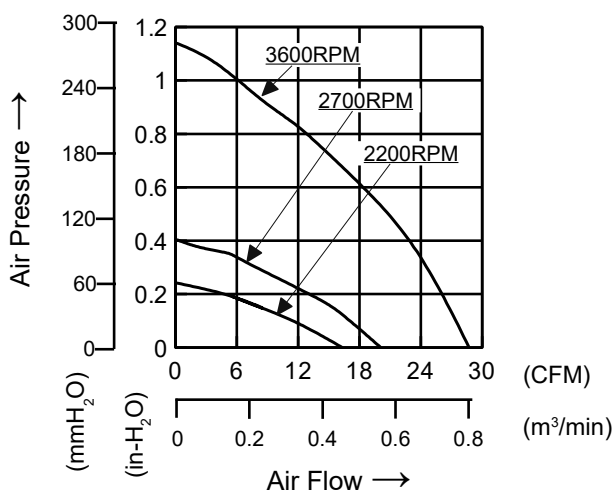
97x94x33mm

- MOTOR : DC single phase brushless motor
- FRAME : PBT (94V-0) ; IMPELLER : PBT(94V-0)
- OPERATING TEMP.: -10°C~70°C
- STORAGE TEMP.: -40°C~70°C
- WEIGHT : 150g



JARO Part Number	*Bearing System	Rated Voltage	Rated Current	Rated Speed	Maximum Air Flow		Maximum Static Pressure		Sound Level
	B	V	A	RPM	m ³ /min	CFM	mm-H ₂ O	In-H ₂ O	dBA
JCB0973312LB1A0E	B	12	0.21	2200	0.46	16.3	6.10	0.24	43
JCB0973312MB1A0E	B	12	0.32	2700	0.57	20.1	10.16	0.40	45
JCB0973312HB1A0E	B	12	0.60	3600	0.82	28.8	28.96	1.14	52
JCB0973324LB1A0E	B	24	0.14	2200	0.46	16.3	6.10	0.24	43
JCB0973324MB1A0E	B	24	0.18	2700	0.57	20.1	10.16	0.40	45
JCB0973324HB1A0E	B	24	0.32	3600	0.82	28.8	28.96	1.14	52

*Bearing system B:two ball bearing



*All models can be customized. Please contact your JARO representative for further information.

*Specs are subject to change without notice. Please visit JARO website at <https://jarothermal.com> for update information.



DC BLOWER



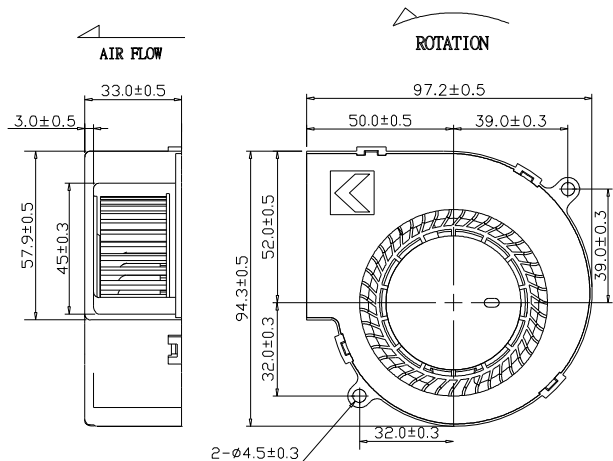
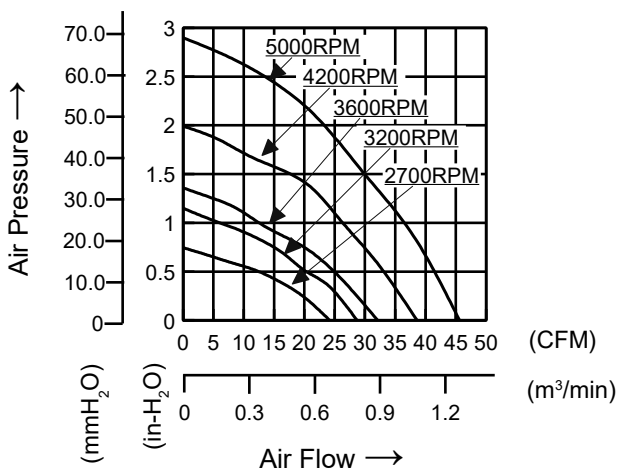
97x94x33mm

- MOTOR : DC single phase brushless motor
- FRAME : PBT (94V-0) ; IMPELLER : PBT(94V-0)
- OPERATING TEMP.: -10°C~70°C
- STORAGE TEMP.: -40°C~70°C
- WEIGHT : 180g



JARO Part Number	*Bearing System	Rated Voltage	Rated Current	Rated Speed	Maximum Air Flow		Maximum Static Pressure		Sound Level
	B	V	A	RPM	m ³ /min	CFM	mm-H ₂ O	In-H ₂ O	dBA
JCB0973312LB1A0F	B	12	0.38	2700	0.69	24.2	18.9	0.75	48
JCB0973312MB1A0F	B	12	0.66	3200	0.82	28.7	29.2	1.15	52
JCB0973312HB1A0F	B	12	0.88	3600	0.91	32.1	34.5	1.36	55
JCB0973312UB1A0F	B	12	1.55	4200	1.09	38.6	50.6	1.99	59
JCB0973312VB1A0F	B	12	1.90	5000	1.29	45.6	73.6	2.90	63

*Bearing system B:two ball bearing



*All models can be customized. Please contact your JARO representative for further information.

*Specs are subject to change without notice. Please visit JARO website at <https://jarothermal.com> for update information.



DC BLOWER



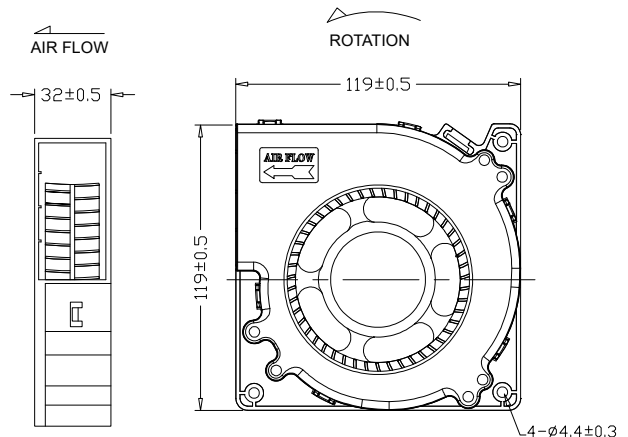
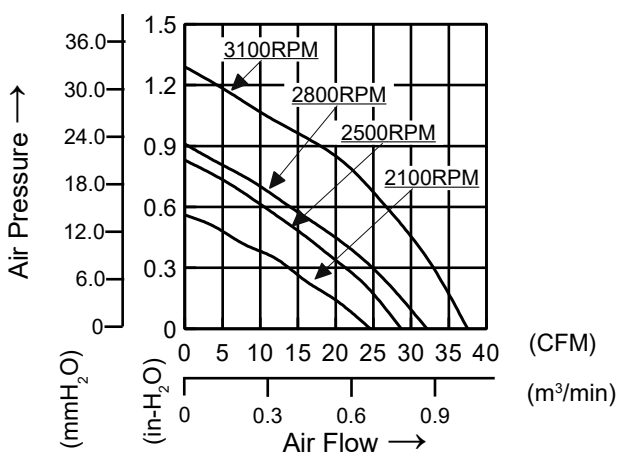
120x120x32mm

- MOTOR : DC single phase brushless motor
- FRAME : PBT (94V-0) ; IMPELLER : PBT(94V-0)
- OPERATING TEMP.: -10°C~70°C
- STORAGE TEMP.: -40°C~70°C
- WEIGHT : 180g



JARO Part Number	*Bearing System	Rated Voltage	Rated Current	Rated Speed	Maximum Air Flow		Maximum Static Pressure		Sound Level
	B	V	A	RPM	m ³ /min	CFM	mm-H ₂ O	In-H ₂ O	dBA
JCB1203212LB1A0E	B	12	0.40	2100	0.70	24.6	14.22	0.56	45
JCB1203212MB1A0E	B	12	0.58	2500	0.82	28.8	21.08	0.83	47
JCB1203212HB1A0E	B	12	1.11	2800	0.91	32.1	26.92	1.06	49
JCB1203212UB1A0E	B	12	1.25	3100	1.06	37.5	32.76	1.29	52

*Bearing system B:two ball bearing



*All models can be customized. Please contact your JARO representative for further information.

*Specs are subject to change without notice. Please visit JARO website at <https://jarothermal.com> for update information.



SLIM-LINE BLOWER

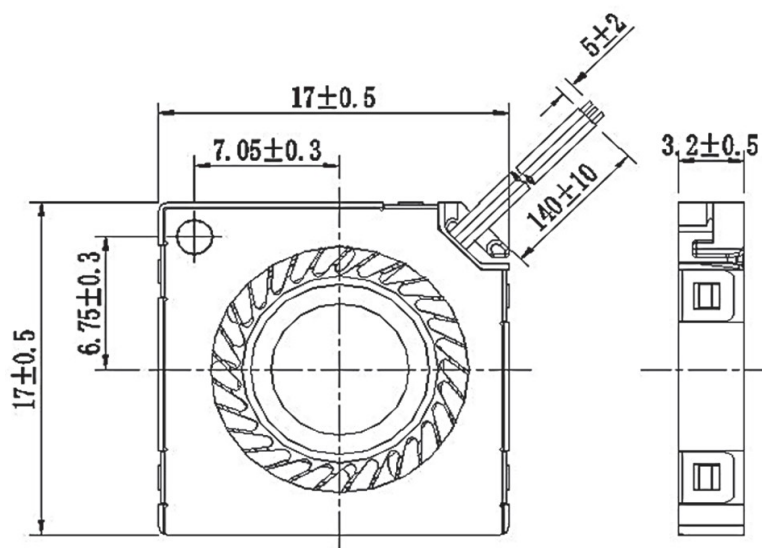
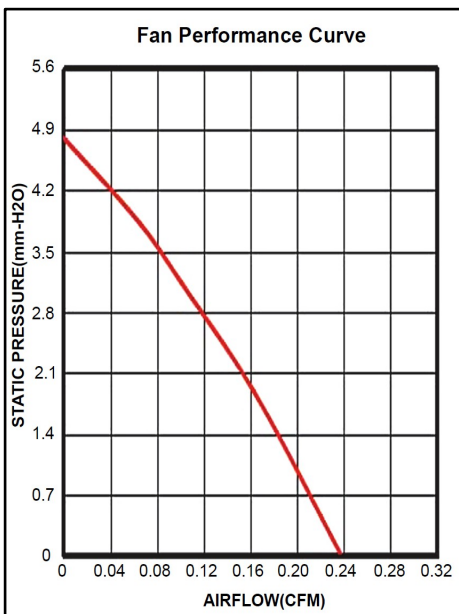


17x17x3.2mm

- MOTOR : DC single phase brushless motor
- FRAME : LCP (94V-0) ; IMPELLER : LCP(94V-0)
- COVER : SUS
- OPERATING TEMP.: -10°C~70°C
- STORAGE TEMP.: -40°C~70°C
- WEIGHT : 1.5g



JARO	Bearing System	Rated	Rated	Rated	Maximum		Maximum		Sound
		Voltage	Current	Speed	Air Flow		Static Pressure		Level (0.3M)
Part Number		V	A	RPM	m ³ /min	CFM	mm-H ₂ O	In-H ₂ O	dBA
JHB1703	AFB	3.3	0.09	12000	0.006	0.24	4.80	0.188	29.0



*All models can be customized. Please contact your JARO representative for further information.

*Specs are subject to change without notice. Please visit JARO website at <https://jarothermal.com> for update information.



SLIM-LINE BLOWER

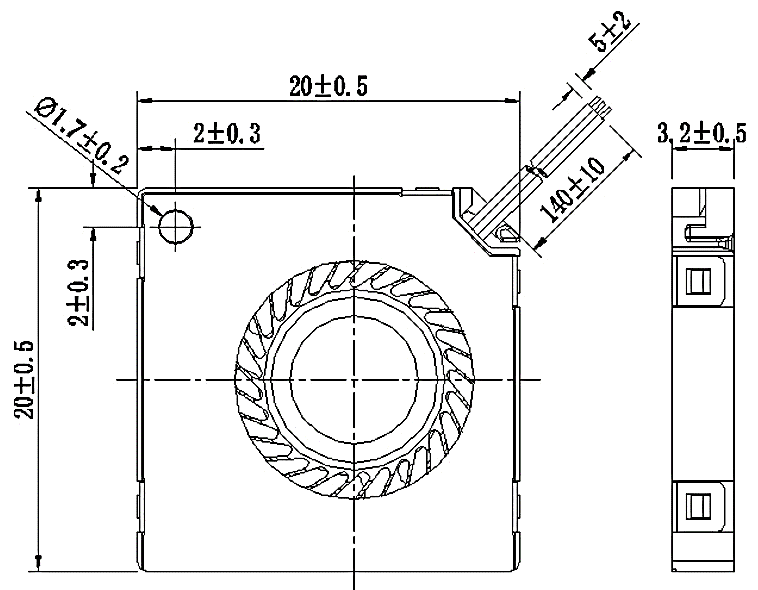
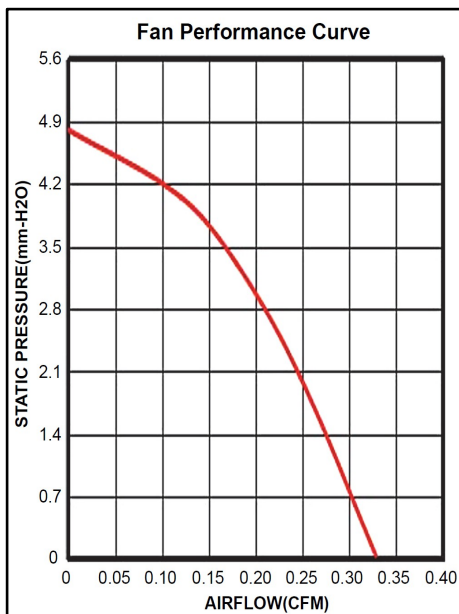


20x20x3.2mm

- MOTOR : DC single phase brushless motor
- FRAME : LCP (94V-0) ; IMPELLER : LCP(94V-0)
- COVER : SUS304
- OPERATING TEMP.: -10°C~70°C
- STORAGE TEMP.: -40°C~70°C
- WEIGHT : 1.8g



JARO	Bearing System	Rated	Rated	Rated	Maximum		Maximum		Sound
		Voltage	Current	Speed	Air Flow		Static Pressure		Level (0.3M)
Part Number		V	A	RPM	m ³ /min	CFM	mm-H ₂ O	In-H ₂ O	dBA
JHB2003	AFB	3.0	0.09	11000	0.009	0.33	4.80	0.188	26.9



*All models can be customized. Please contact your JARO representative for further information.

*Specs are subject to change without notice. Please visit JARO website at <https://jarothermal.com> for update information.



SLIM-LINE BLOWER

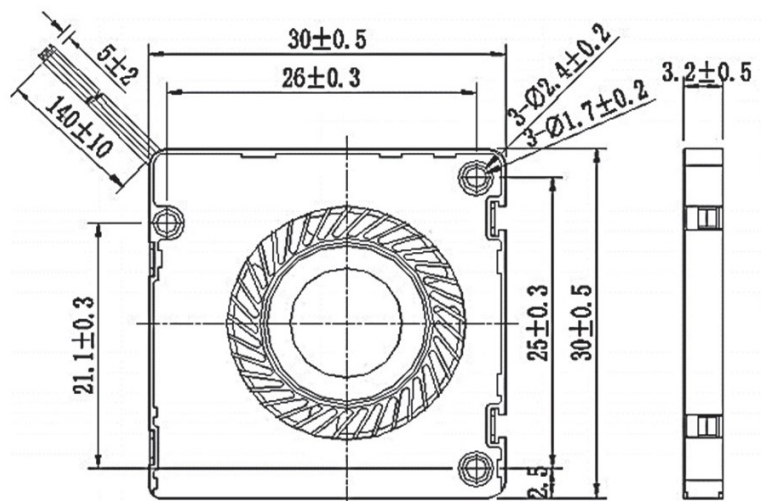
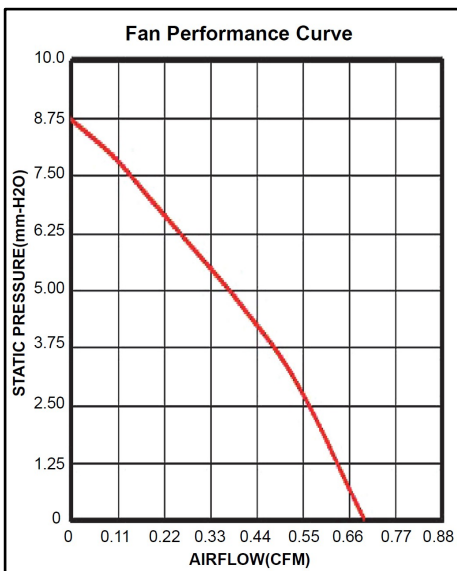


30x30x3.2mm

- MOTOR : DC three phase brushless motor
- FRAME : SUS ; IMPELLER : LCP(94V-0) ;
COVER : SUS+PBT(94V-0)
- OPERATING TEMP.: -10°C~70°C
- STORAGE TEMP.: -40°C~70°C
- WEIGHT : 5g



JARO	Bearing System	Rated	Rated	Rated	Maximum		Maximum		Sound
		Voltage	Current	Speed	Air Flow		Static Pressure		Level (0.3M)
Part Number		V	A	RPM	m ³ /min	CFM	mm-H ₂ O	In-H ₂ O	dBA
JHB3003	AFB	5.0	0.15	9500	0.019	0.70	8.70	0.342	34.1



*All models can be customized. Please contact your JARO representative for further information.

*Specs are subject to change without notice. Please visit JARO website at <https://jarothermal.com> for update information.



SLIM-LINE BLOWER

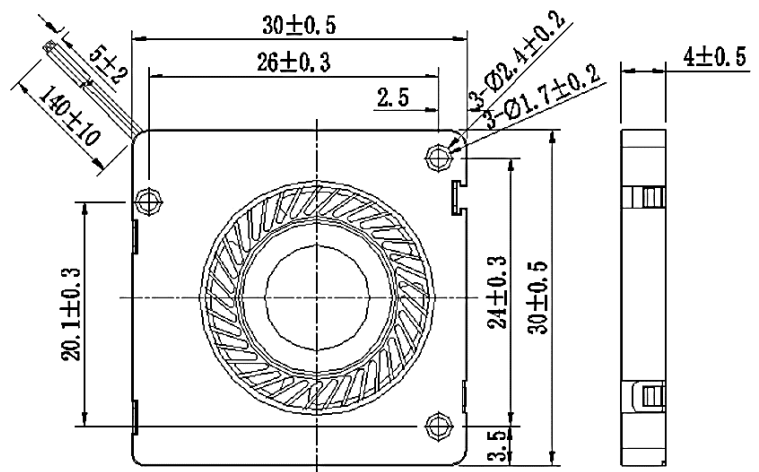
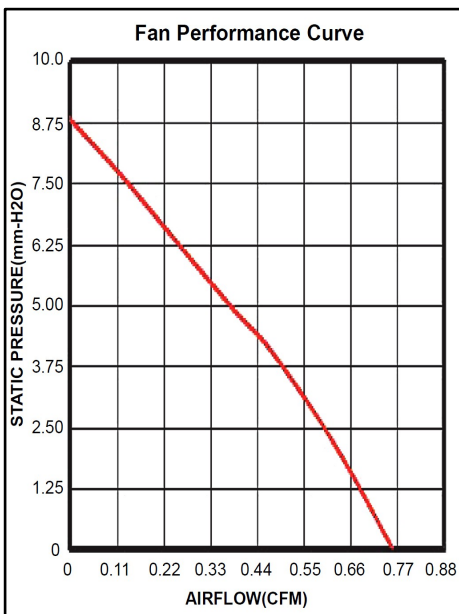


30x30x4mm

- MOTOR : DC three phase brushless motor
- FRAME : SUS ; IMPELLER : LCP(94V-0) ; COVER : PBT(94V-0)
- OPERATING TEMP.: -10°C~70°C
- STORAGE TEMP.: -40°C~70°C
- WEIGHT : 5g



JARO	Bearing System	Rated	Rated	Rated	Maximum		Maximum		Sound
		Voltage	Current	Speed	Air Flow		Static Pressure		Level (0.3M)
Part Number		V	A	RPM	m ³ /min	CFM	mm-H ₂ O	In-H ₂ O	dBA
JHB3004	AFB	5.0	0.15	9500	0.021	0.76	8.80	0.346	31.3



*All models can be customized. Please contact your JARO representative for further information.

*Specs are subject to change without notice. Please visit JARO website at <https://jarothermal.com> for update information.



SLIM-LINE BLOWER

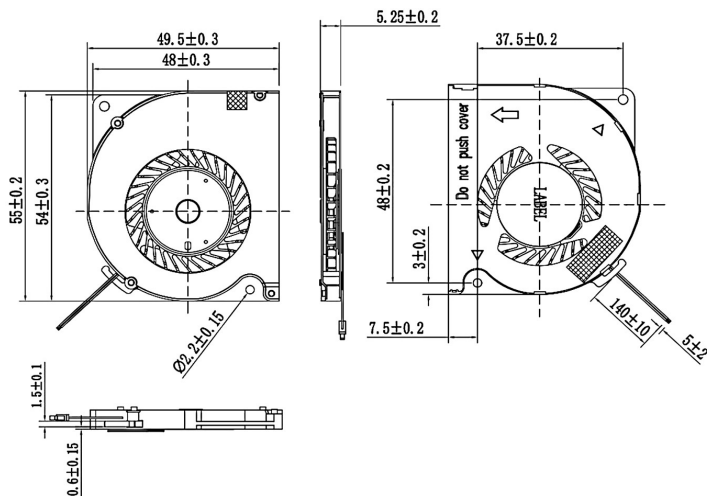
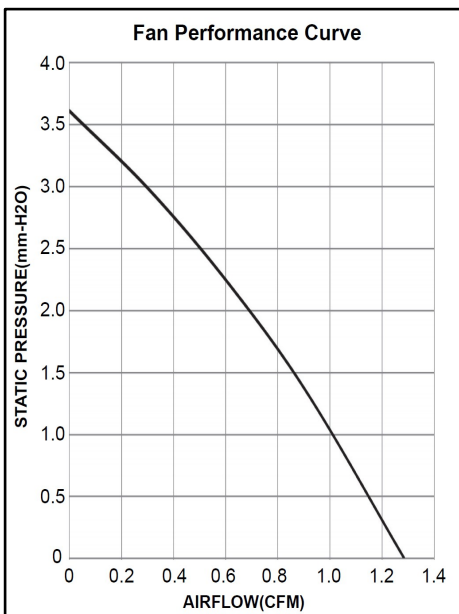


55x50x5.25mm

- MOTOR : DC single phase brushless motor
- FRAME : SECC+PBT (94V-0) ;
IMPELLER : LCP(94V-0) ; COVER : SECC
- OPERATING TEMP.: -10°C~70°C
- STORAGE TEMP.: -40°C~70°C
- WEIGHT : 17g



JARO	Bearing System	Rated	Rated	Rated	Maximum		Maximum		Sound
		Voltage	Current	Speed	Air Flow		Static Pressure		Level (0.5M)
Part Number		V	A	RPM	m ³ /min	CFM	mm-H ₂ O	In-H ₂ O	dBA
JHB0550505HA1A01	AFB	5.0	0.15	3100	0.036	1.29	3.61	0.142	21.2

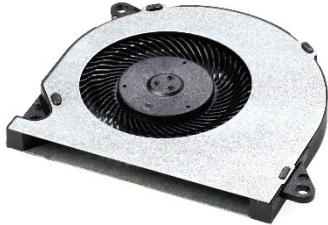


*All models can be customized. Please contact your JARO representative for further information.

*Specs are subject to change without notice. Please visit JARO website at <https://jarothermal.com> for update information.



SLIM-LINE BLOWER

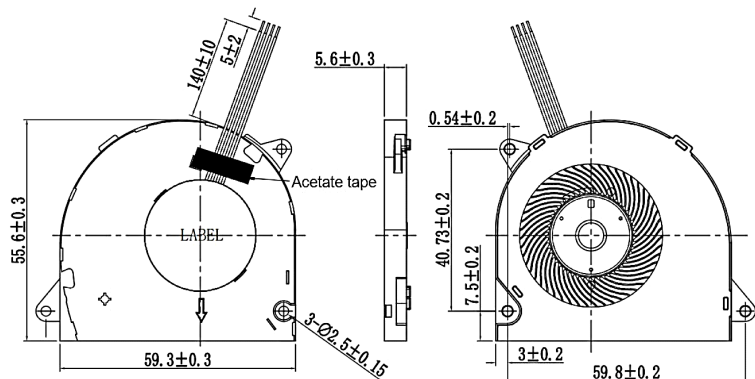
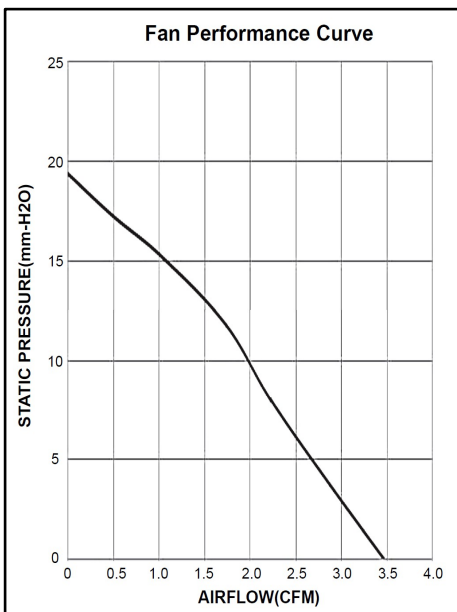


59.3x55.6x5.6mm

- MOTOR : DC single phase brushless motor
- FRAME : SGCC+PBT (94V-0) ;
IMPELLER : LCP(94V-0) ; COVER : SGCC
- OPERATING TEMP.: -10°C~70°C
- STORAGE TEMP.: -40°C~70°C
- WEIGHT : 20g



JARO	Bearing System	Rated	Rated	Rated	Maximum		Maximum		Sound
		Voltage	Current	Speed	Air Flow		Static Pressure		Level (0.5M)
Part Number		V	A	RPM	m ³ /min	CFM	mm-H ₂ O	In-H ₂ O	dBA
JHB0590505HABA01	AFB	5.0	0.40	6700	0.098	3.47	19.33	0.761	41.1



*All models can be customized. Please contact your JARO representative for further information.

*Specs are subject to change without notice. Please visit JARO website at <https://jarothermal.com> for update information.



SLIM-LINE BLOWER

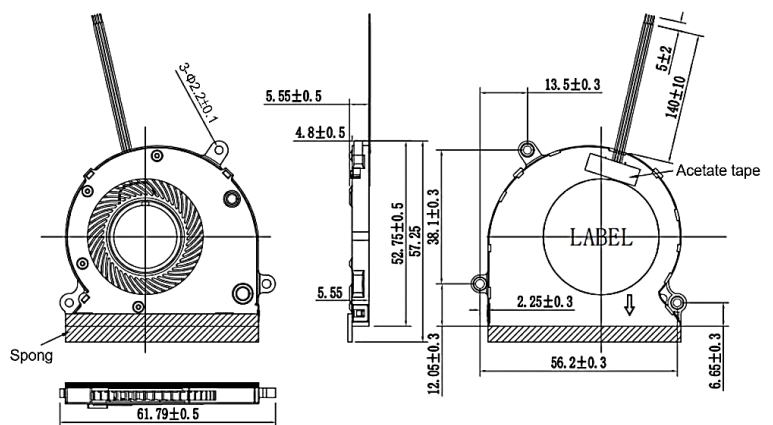
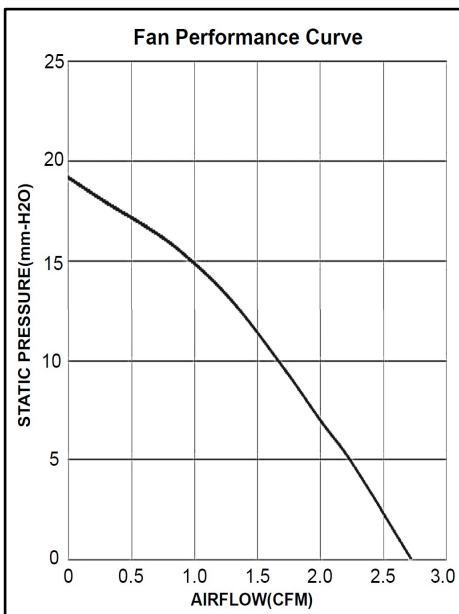


61.8x57.3x5.6mm

- MOTOR : DC three phase brushless motor
- FRAME : SECC+PBT (94V-0) ;
IMPELLER : PBT(94V-0) ; COVER : FW500
- OPERATING TEMP.: -10°C~70°C
- STORAGE TEMP.: -40°C~70°C
- WEIGHT : 17g



JARO	Bearing System	Rated	Rated	Rated	Maximum		Maximum		Sound
		Voltage	Current	Speed	Air Flow		Static Pressure		Level (0.5M)
Part Number		V	A	RPM	m ³ /min	CFM	mm-H ₂ O	In-H ₂ O	dBA
JHB0610505HABA01	AFB	5.0	0.50	7400	0.075	2.68	19.90	0.783	42.8



*All models can be customized. Please contact your JARO representative for further information.

*Specs are subject to change without notice. Please visit JARO website at <https://jarothermal.com> for update information.



SLIM-LINE BLOWER

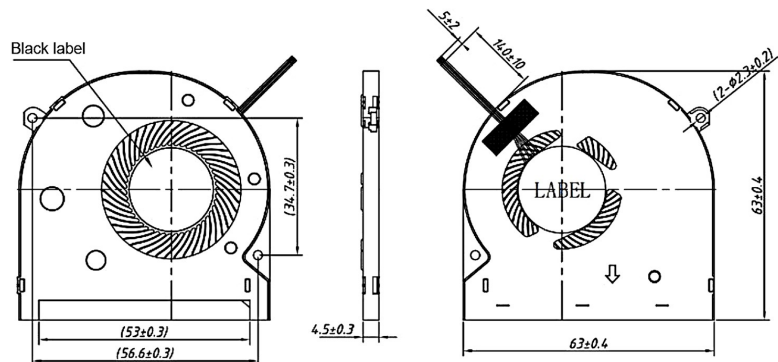
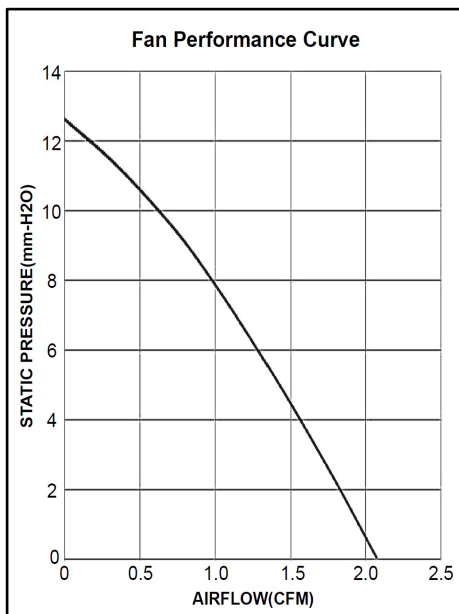


63x63x4mm

- MOTOR : DC three phase brushless motor
- FRAME : SECC+PBT (94V-0) ;
IMPELLER : LCP(94V-0) ; COVER : SECC
- OPERATING TEMP.: -10°C~70°C
- STORAGE TEMP.: -40°C~70°C
- WEIGHT : 26g



JARO	Bearing System	Rated	Rated	Rated	Maximum		Maximum		Sound
		Voltage	Current	Speed	Air Flow		Static Pressure		Level (0.5M)
Part Number		V	A	RPM	m ³ /min	CFM	mm-H ₂ O	In-H ₂ O	dBA
JHB0630405HABA01	AFB	5.0	0.50	5700	0.060	2.15	12.84	0.505	35.4



*All models can be customized. Please contact your JARO representative for further information.

*Specs are subject to change without notice. Please visit JARO website at <https://jarothermal.com> for update information.



SLIM-LINE BLOWER

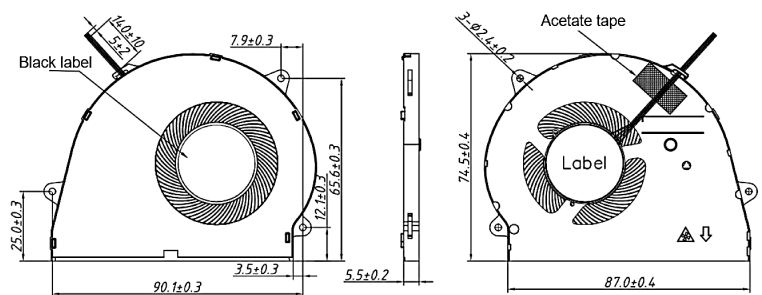
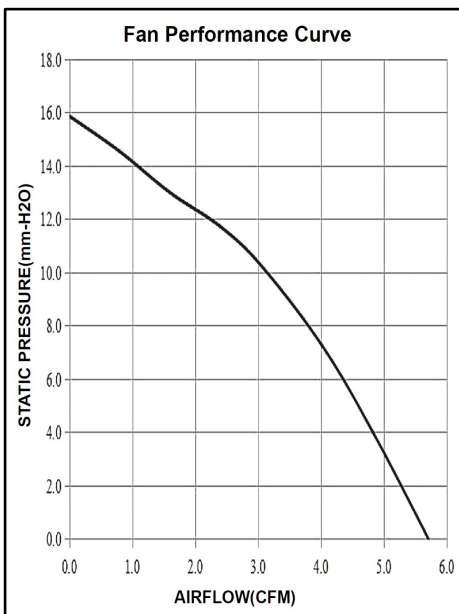


87x74.5x5.5mm

- MOTOR : DC three phase brushless motor
- FRAME : FW500+PBT (94V-0) ;
IMPELLER : LCP(94V-0) ; COVER : SECC
- OPERATING TEMP.: -10°C~70°C
- STORAGE TEMP.: -40°C~70°C
- WEIGHT : 46g



JARO	Bearing System	Rated	Rated	Rated	Maximum		Maximum		Sound
		Voltage	Current	Speed	Air Flow		Static Pressure		Level (0.5M)
Part Number		V	A	RPM	m ³ /min	CFM	mm-H ₂ O	In-H ₂ O	dBA
JHB0870605HABA01	AFB	5.0	0.50	4500	0.161	5.70	15.87	0.624	41.85



*All models can be customized. Please contact your JARO representative for further information.

*Specs are subject to change without notice. Please visit JARO website at <https://jarothermal.com> for update information.



SLIM-LINE BLOWER

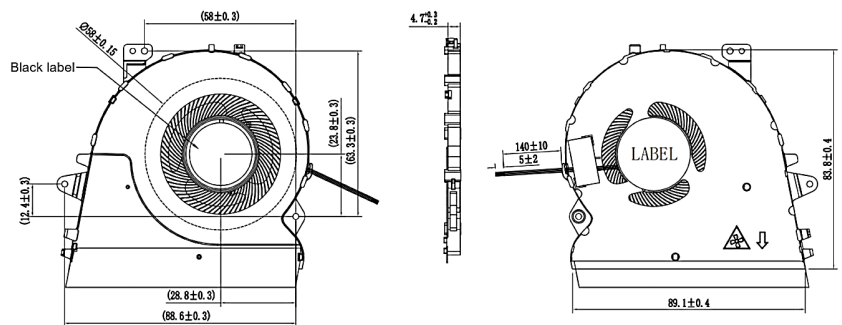
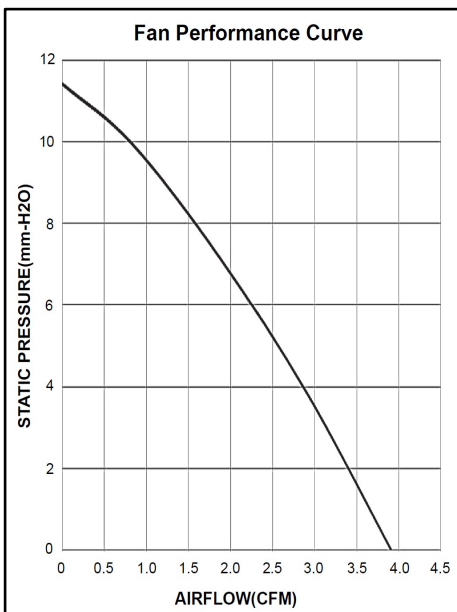


89.1x83.8x4.7mm

- MOTOR : DC three phase brushless motor
- FRAME : SGCC+PBT (94V-0) ;
IMPELLER : LCP(94V-0) ; COVER : FW500
- OPERATING TEMP.: -10°C~70°C
- STORAGE TEMP.: -40°C~70°C
- WEIGHT : 38g



JARO	Bearing System	Rated	Rated	Rated	Maximum		Maximum		Sound
		Voltage	Current	Speed	Air Flow		Static Pressure		Level (0.5M)
Part Number		V	A	RPM	m ³ /min	CFM	mm-H ₂ O	In-H ₂ O	dBA
JHB0890405HABA01	AFB	5.0	0.45	3400	0.110	3.91	11.4	0.448	38.0



*All models can be customized. Please contact your JARO representative for further information.

*Specs are subject to change without notice. Please visit JARO website at <https://jarothermal.com> for update information.



AC FAN

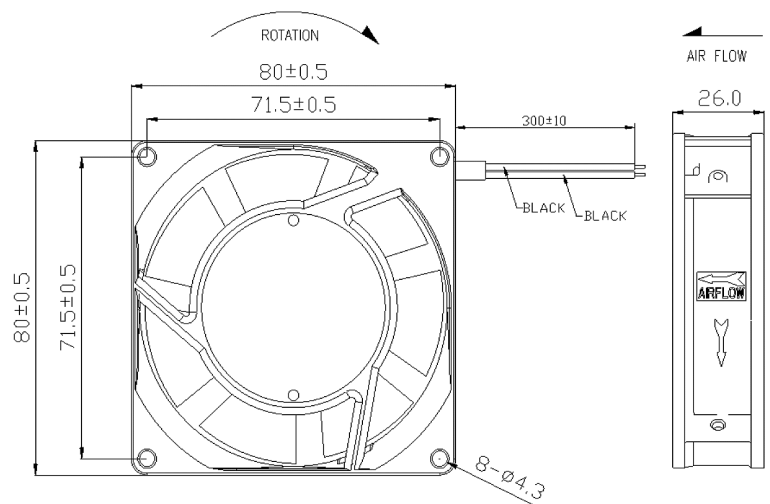
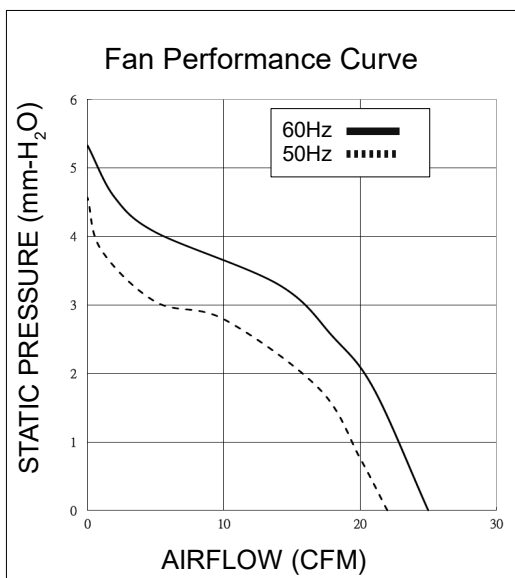


80x80x25mm

- MOTOR : INNER ROTOR, SHADED POLE AC MOTOR
- FRAME : Aluminum Alloy ; IMPELLER : PBT (94V-0)
- OPERATING TEMP.: -10°C~70°C
- STORAGE TEMP.: -40°C~70°C
- INSULATION : Class 'B' or 'F'
- CONNECTION : Lead wires ; Terminal
- WEIGHT : 260g



JARO	Bearing System	Rated Voltage VAC	Frequency (Hz)	Rated Power W	Rated Speed (RPM)	Maximum Air Flow		Maximum Static Pressure		Sound
						m ³ /min	CFM	mm-H ₂ O	In-H ₂ O	Level
Part Number										dBA
JCA0802511HB0E	BALL	110	50/60	13/11	2500 / 3000	0.62 / 0.71	22.0 / 25.0	4.5 / 5.3	0.18 / 0.21	28/29
JCA0802522HB0E	BALL	230	50/60	13/11	2500 / 3000	0.62 / 0.71	22.0 / 25.0	4.5 / 5.3	0.18 / 0.21	28/29



*All models can be customized. Please contact your JARO representative for further information.

*Specs are subject to change without notice. Please visit JARO website at <https://jarothermal.com> for update information.



AC FAN

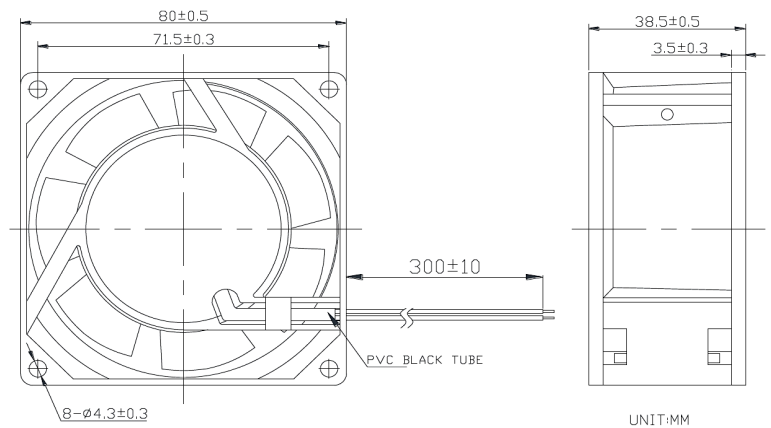
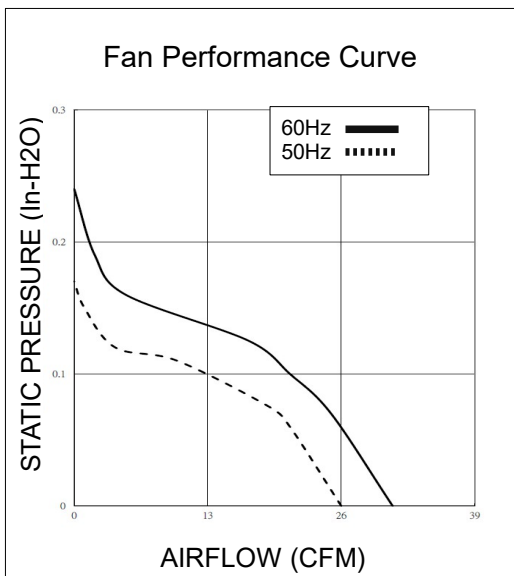


80x80x38mm

- MOTOR : INNER ROTOR, SHADED POLE AC MOTOR
- FRAME : Aluminum Alloy ; IMPELLER : PBT (94V-0)
- OPERATING TEMP.: -10°C~70°C
- STORAGE TEMP.: -40°C~70°C
- INSULATION : Class 'B' or 'F'
- CONNECTION : Lead wires ; Terminal
- WEIGHT : 370g



JARO	Bearing System	Rated Voltage VAC	Frequency (Hz)	Rated Power W	Rated Speed (RPM)	Maximum Air Flow		Maximum Static Pressure		Sound
						m ³ /min	CFM	mm-H ₂ O	In-H ₂ O	Level
Part Number										dBA
JCA0803811HB0E	BALL	110	50/60	13/10	2450 / 2950	0.74 / 0.88	26 / 31	4.3 / 6.0	0.17 / 0.24	29/30
JCA0803822HB0E	BALL	230	50/60	13/10	2450 / 2950	0.74 / 0.88	26 / 31	4.3 / 6.0	0.17 / 0.24	29/30



*All models can be customized. Please contact your JARO representative for further information.

*Specs are subject to change without notice. Please visit JARO website at <https://jarothermal.com> for update information.



AC FAN

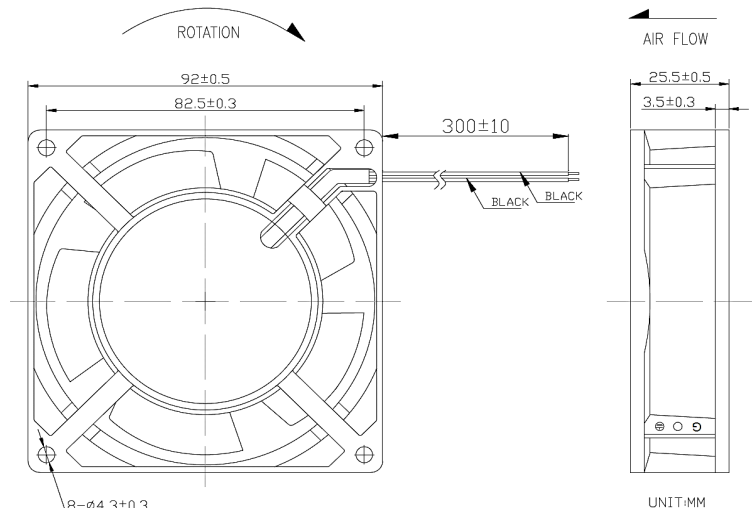
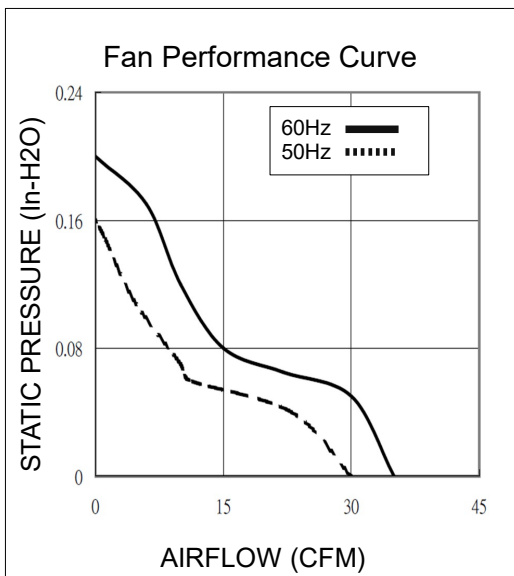


92x92x25mm

- MOTOR : INNER ROTOR, SHADED POLE AC MOTOR
- FRAME : Aluminum Alloy ; IMPELLER : PBT (94V-0)
- OPERATING TEMP.: -10°C~70°C
- STORAGE TEMP.: -40°C~70°C
- INSULATION : Class 'B' or 'F'
- CONNECTION : Lead wires ; Terminal
- WEIGHT : 290g



JARO	Bearing System	Rated Voltage VAC	Frequency (Hz)	Rated Power W	Rated Speed (RPM)	Maximum Air Flow		Maximum Static Pressure		Sound
						m ³ /min	CFM	mm-H ₂ O	In-H ₂ O	Level
Part Number										dBA
JCA0922511HB0E	BALL	110	50/60	15/13	2400 / 2800	0.85 / 0.99	30.0 / 35.0	4.0 / 5.0	0.16 / 0.20	30/31
JCA0922522HB0E	BALL	230	50/60	15/13	2400 / 2800	0.85 / 0.99	30.0 / 35.0	4.0 / 5.0	0.16 / 0.20	30/31



*All models can be customized. Please contact your JARO representative for further information.

*Specs are subject to change without notice. Please visit JARO website at <https://jarothermal.com> for update information.



AC FAN

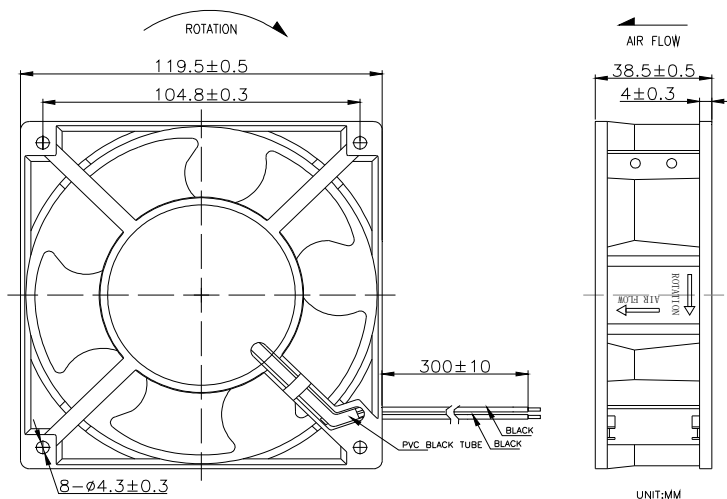
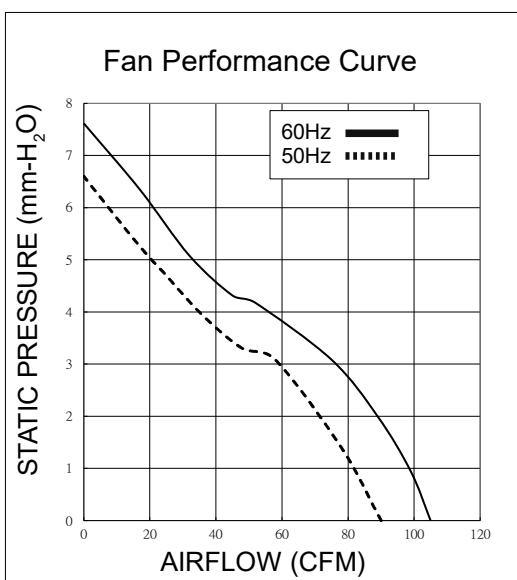


120x120x38mm

- MOTOR : INNER ROTOR, SHADED POLE AC MOTOR
- FRAME : Aluminum Alloy ; IMPELLER : PBT (94V-0)
- OPERATING TEMP.: -10°C~70°C
- STORAGE TEMP.: -40°C~70°C
- INSULATION : Class 'B' or 'F'
- CONNECTION : Lead wires ; Terminal
- WEIGHT : 530g



JARO	Bearing System	Rated Voltage VAC	Frequency (Hz)	Rated Power W	Rated Speed (RPM)	Maximum Air Flow		Maximum Static Pressure		Sound
						m ³ /min	CFM	mm-H ₂ O	In-H ₂ O	Level
Part Number										dB(A)
JCA1203811HB0E	BALL	110	50/60	21/19	2600 / 3000	2.57 / 2.97	91 / 105	6.35 / 7.62	0.25 / 0.30	43/44
JCA1203822HB0E	BALL	230	50/60	21/19	2600 / 3000	2.57 / 2.97	91 / 105	6.35 / 7.62	0.25 / 0.30	43/44



*All models can be customized. Please contact your JARO representative for further information.

*Specs are subject to change without notice. Please visit JARO website at <https://jarothermal.com> for update information.



AC FAN

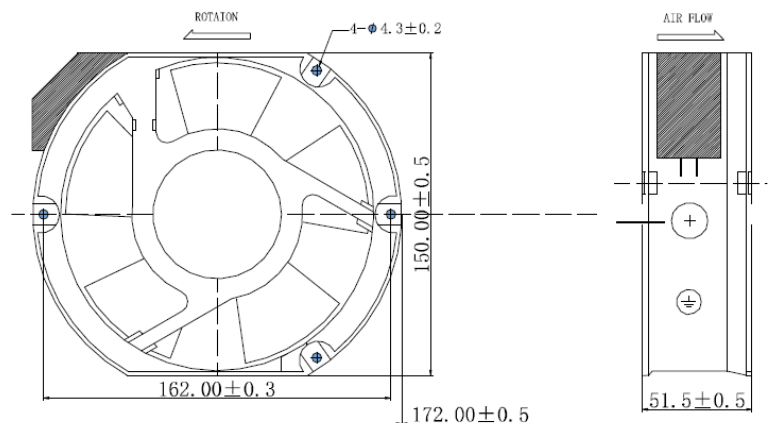
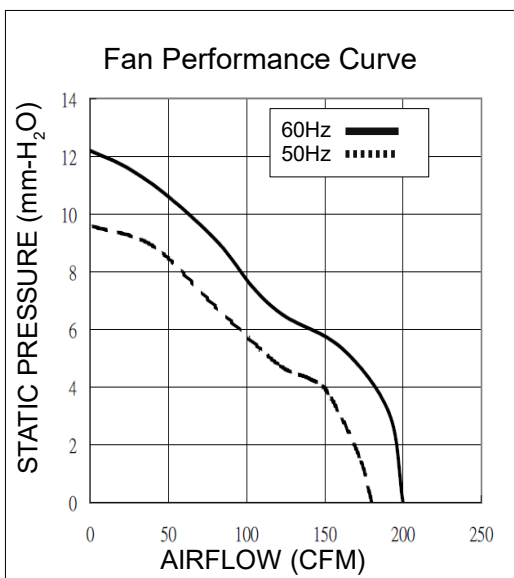


172x150x51mm

- MOTOR : INNER ROTOR, SHADED POLE AC MOTOR
- FRAME : Aluminum Alloy ; IMPELLER : PBT (94V-0)
- OPERATING TEMP.: -10°C~70°C
- STORAGE TEMP.: -40°C~70°C
- INSULATION : Class 'B' or 'F'
- CONNECTION : Lead wires ; Terminal
- WEIGHT : 260g



JARO	Bearing System	Rated Voltage VAC	Frequency (Hz)	Rated Power W	Rated Speed (RPM)	Maximum Air Flow		Maximum Static Pressure		Sound
						m ³ /min	CFM	mm-H ₂ O	In-H ₂ O	Level
Part Number										dB(A)
JCA1725111HB0E	BALL	110	50/60	36/34	2500 / 2500	5.10 / 5.62	180 / 198	9.6 / 12.2	0.38 / 0.48	50/50
JCA1725122HB0E	BALL	230	50/60	36/34	2500 / 2500	5.10 / 5.62	180 / 198	9.6 / 12.2	0.38 / 0.48	50/50



*All models can be customized. Please contact your JARO representative for further information.

*Specs are subject to change without notice. Please visit JARO website at <https://jarothermal.com> for update information.



DC CENTRIFUGAL FAN

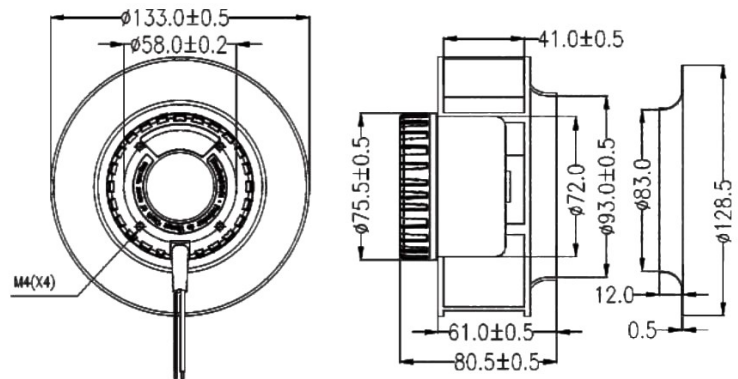
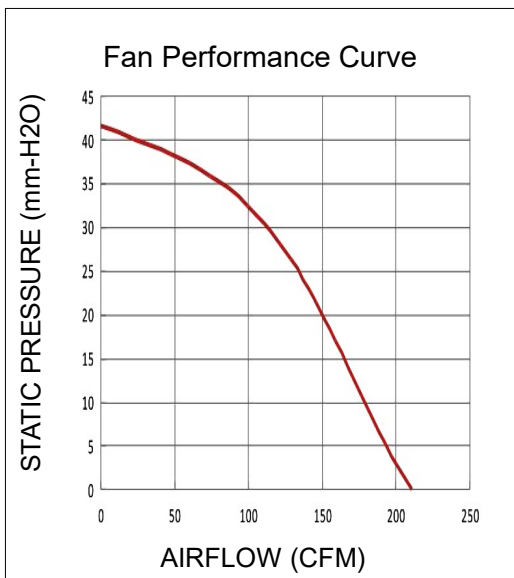


Φ133x80.5mm

- MOTOR : DC single phase brushless motor
- FRAME : Aluminum ; IMPELLER : Plastic(UL 94V-0)
- OPERATING TEMP.: -10°C~70°C
- STORAGE TEMP.: -40°C~75°C
- WEIGHT : 800g



JARO Part Number	Bearing System	Rated Voltage V	Rated Current A	Rated Speed RPM	Maximum Air Flow		Maximum Static Pressure		Sound Level dBA
					m ³ /h	CFM	mm-H ₂ O	In-H ₂ O	
JSD1338024HB1A01	BALL	24	5.0	4500	358.6	210.9	41.67	1.65	68
JSD1338048HB1A01	BALL	48	2.5	4500	358.6	210.9	41.67	1.65	68



*All models can be customized. Please contact your JARO representative for further information.

*Specs are subject to change without notice. Please visit JARO website at <https://jarothermal.com> for update information.



DC CENTRIFUGAL FAN

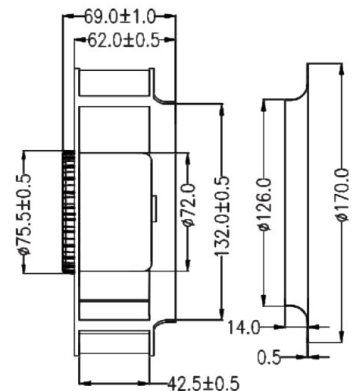
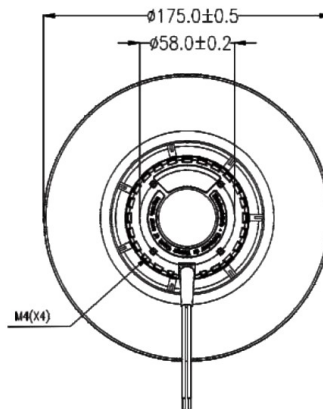
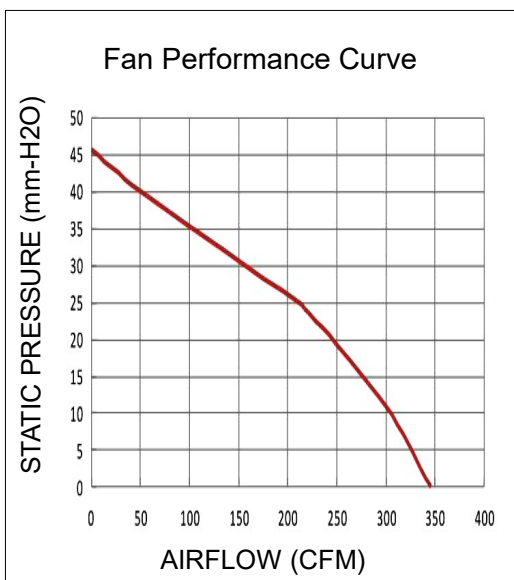


Φ175x69mm

- MOTOR : DC single phase brushless motor
- FRAME : Aluminum ; IMPELLER : Plastic(UL 94V-0)
- OPERATING TEMP.: -10°C~70°C
- STORAGE TEMP.: -40°C~75°C
- WEIGHT : 1300g



JARO Part Number	Bearing System	Rated Voltage V	Rated Current A	Rated Speed RPM	Maximum Air Flow		Maximum Static Pressure		Sound Level dBA
					m ³ /h	CFM	mm-H ₂ O	In-H ₂ O	
JSD1756924HBBA01	BALL	24	5.0	3500	578.6	345.7	45.7	1.8	72
JSD1756948HBBA01	BALL	48	2.5	3500	578.6	345.7	45.7	1.8	72



*All models can be customized. Please contact your JARO representative for further information.

*Specs are subject to change without notice. Please visit JARO website at <https://jarothermal.com> for update information.



DC CENTRIFUGAL FAN

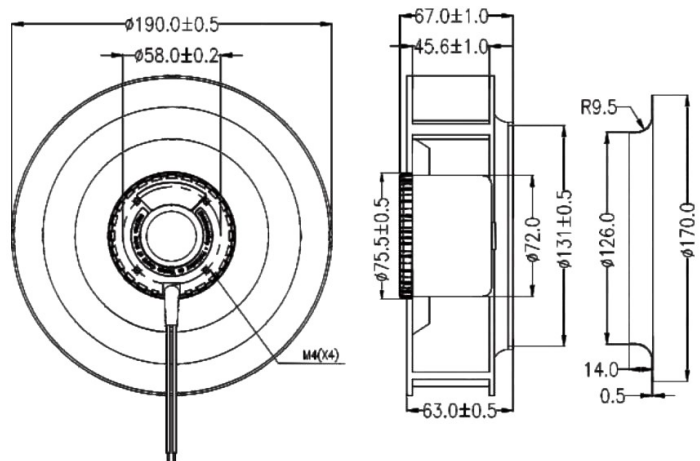
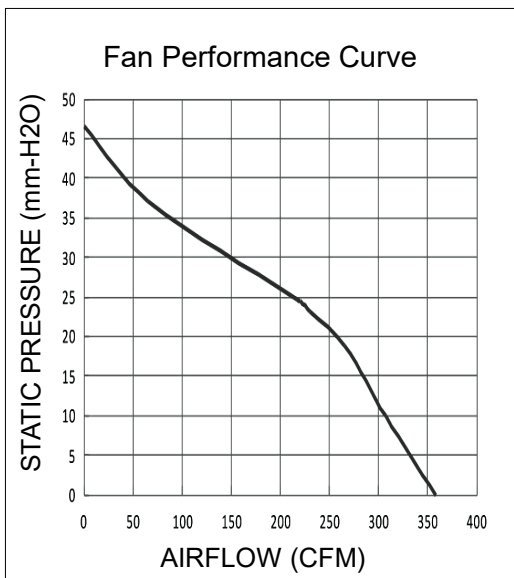


Φ190x67mm

- MOTOR : DC single phase brushless motor
- FRAME : Aluminum ; IMPELLER : Plastic(UL 94V-0)
- OPERATING TEMP.: -10°C~70°C
- STORAGE TEMP.: -40°C~75°C
- WEIGHT : 1300g



JARO Part Number	Bearing System	Rated Voltage V	Rated Current A	Rated Speed RPM	Maximum Air Flow		Maximum Static Pressure		Sound Level dBA
					m ³ /h	CFM	mm-H ₂ O	In-H ₂ O	
JSD1906724HBBA01	BALL	24	5.0	3000	608.9	358.2	46.6	1.9	71.4
JSD1906748HBBA01	BALL	48	2.5	3000	608.9	358.2	46.6	1.9	71.4



*All models can be customized. Please contact your JARO representative for further information.

*Specs are subject to change without notice. Please visit JARO website at <https://jarothermal.com> for update information.



DC CENTRIFUGAL FAN

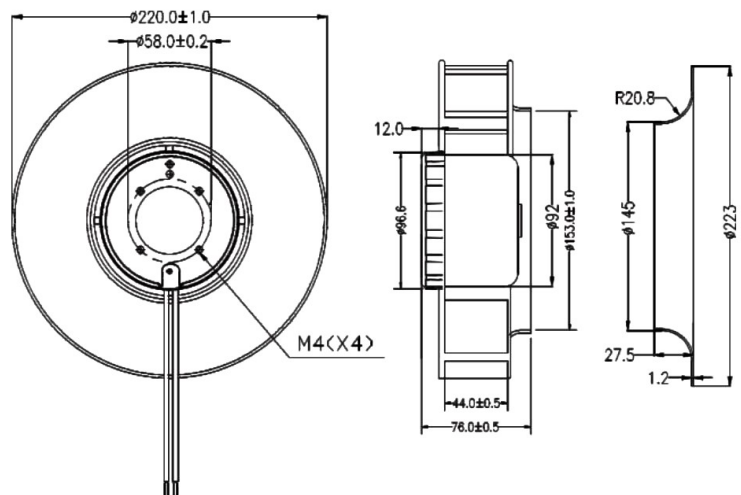
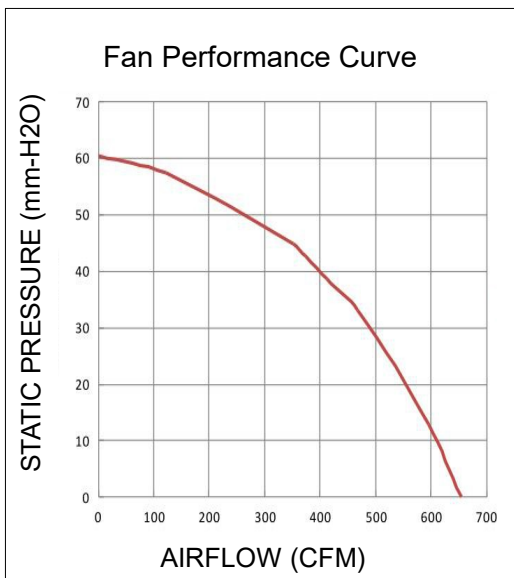


Φ220x76mm

- MOTOR : DC single phase brushless motor
- FRAME : Aluminum ; IMPELLER : Plastic(UL 94V-0)
- OPERATING TEMP.: -10°C~70°C
- STORAGE TEMP.: -40°C~75°C
- WEIGHT : 1450g



JARO Part Number	Bearing System	Rated Voltage V	Rated Current A	Rated Speed RPM	Maximum Air Flow		Maximum Static Pressure		Sound Level dBA
					m ³ /h	CFM	mm-H ₂ O	In-H ₂ O	
JSD2207624HBBA02	BALL	24	5.0	2200	1097.9	645.8	38.9	1.54	71
JSD2207648HBBA02	BALL	48	2.5	2200	1097.9	645.8	38.9	1.54	71



*All models can be customized. Please contact your JARO representative for further information.

*Specs are subject to change without notice. Please visit JARO website at <https://jarothermal.com> for update information.



DC CENTRIFUGAL FAN

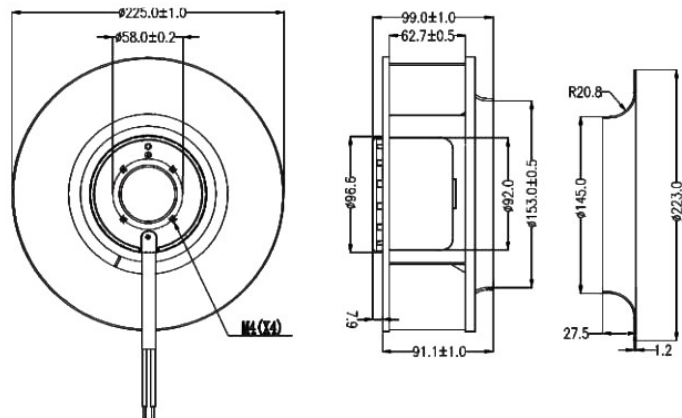
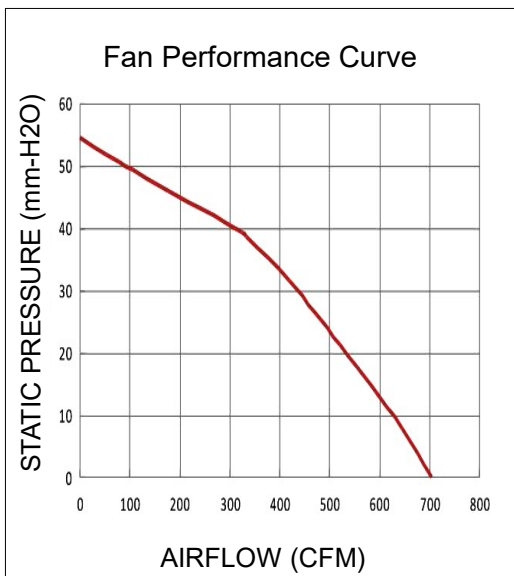


Φ225x99mm

- MOTOR : DC single phase brushless motor
- FRAME : Aluminum ; IMPELLER : Plastic(UL 94V-0)
- OPERATING TEMP.: -10°C~70°C
- STORAGE TEMP.: -40°C~75°C
- WEIGHT : 1500g



JARO Part Number	Bearing System	Rated Voltage V	Rated Current A	Rated Speed RPM	Maximum Air Flow		Maximum Static Pressure		Sound Level dBA
					m ³ /h	CFM	mm-H ₂ O	In-H ₂ O	
JSD2259924HBBA02	BALL	24	6.2	2800	1196.3	703.7	54.5	2.15	74.5
JSD2259948HBBA02	BALL	48	3.0	2800	1196.3	703.7	54.5	2.15	74.5



*All models can be customized. Please contact your JARO representative for further information.

*Specs are subject to change without notice. Please visit JARO website at <https://jarothermal.com> for update information.



DC CENTRIFUGAL FAN

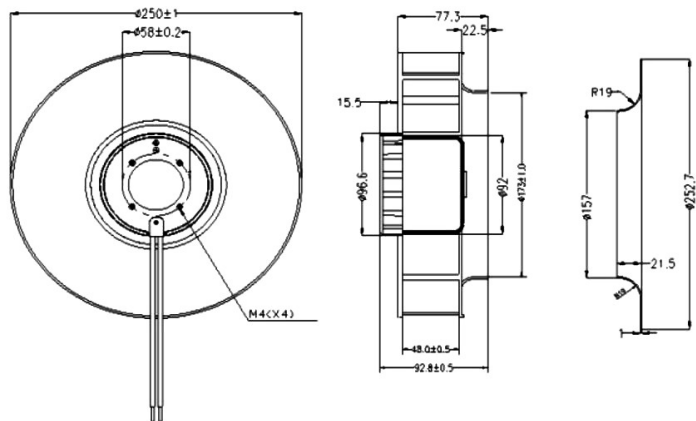
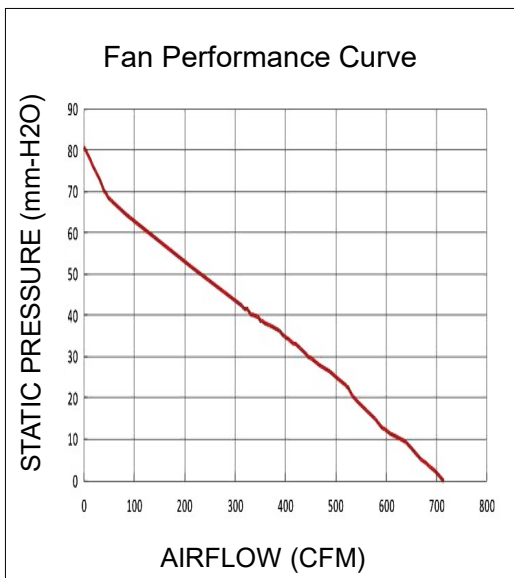


Φ250x92mm

- MOTOR : DC single phase brushless motor
- FRAME : Aluminum ; IMPELLER : Plastic(UL 94V-0)
- OPERATING TEMP.: -10°C~70°C
- STORAGE TEMP.: -40°C~75°C
- WEIGHT : 1500g



JARO Part Number	Bearing System	Rated Voltage V	Rated Current A	Rated Speed RPM	Maximum Air Flow		Maximum Static Pressure		Sound Level dBA
					m ³ /h	CFM	mm-H ₂ O	In-H ₂ O	
JSD2509224HBBA01	BALL	24	6.1	2800	1218.1	716.5	85.5	3.4	76
JSD2509248HBBA01	BALL	48	3.1	2800	1218.1	716.5	85.5	3.4	76



*All models can be customized. Please contact your JARO representative for further information.

*Specs are subject to change without notice. Please visit JARO website at <https://jarothermal.com> for update information.



DC CENTRIFUGAL FAN

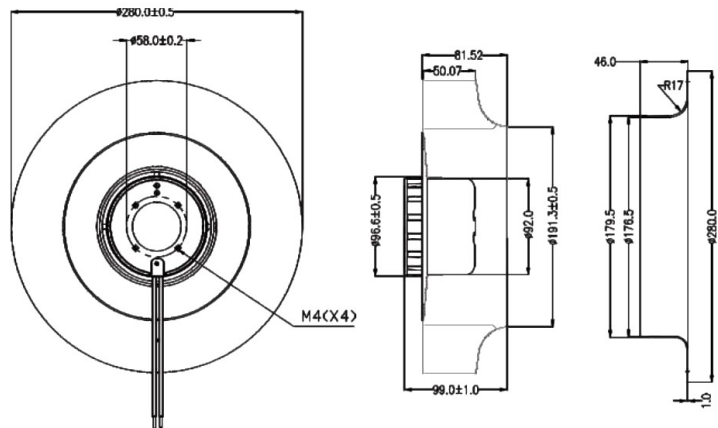
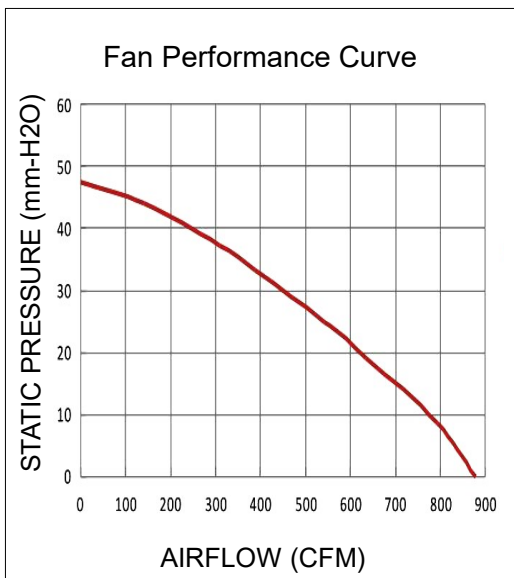


Φ280x99mm

- MOTOR : DC single phase brushless motor
- FRAME : Aluminum ; IMPELLER : Plastic(UL 94V-0)
- OPERATING TEMP.: -10°C~70°C
- STORAGE TEMP.: -40°C~75°C
- WEIGHT : 1600g



JARO Part Number	Bearing System	Rated Voltage V	Rated Current A	Rated Speed RPM	Maximum Air Flow		Maximum Static Pressure		Sound Level dBA
					m ³ /h	CFM	mm-H ₂ O	In-H ₂ O	
JSD2809924HBBA01	BALL	24	5.0	4500	358.6	210.9	41.67	1.65	68
JSD2809948HBBA01	BALL	48	2.5	4500	358.6	210.9	41.67	1.65	68



*All models can be customized. Please contact your JARO representative for further information.

*Specs are subject to change without notice. Please visit JARO website at <https://jarothermal.com> for update information.



DC CENTRIFUGAL FAN

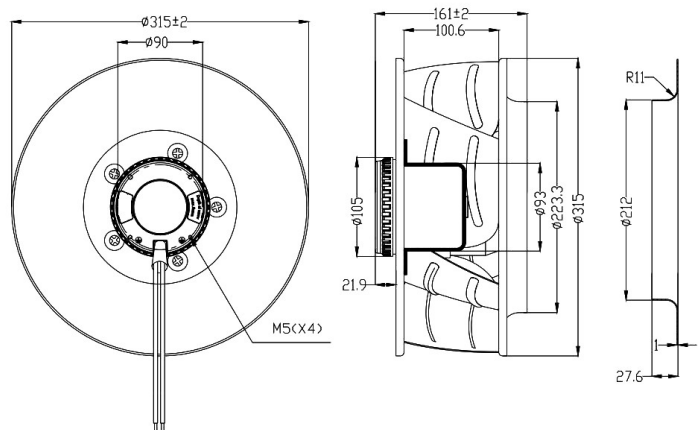
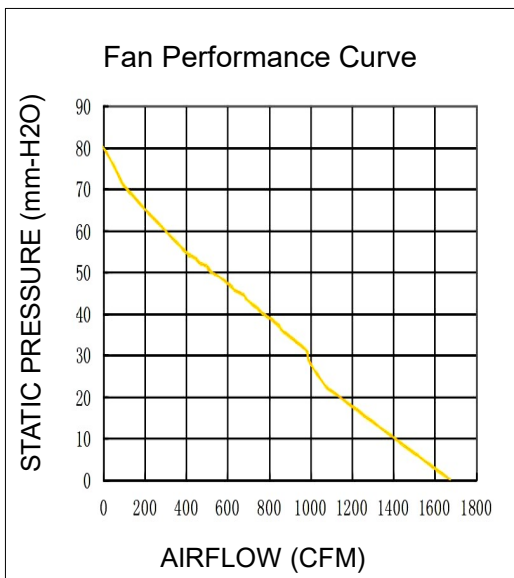


Φ315x161mm

- MOTOR : DC single phase brushless motor
- FRAME : Aluminum ; IMPELLER : Plastic(UL 94V-0)
- OPERATING TEMP.: -10°C~70°C
- STORAGE TEMP.: -40°C~75°C
- WEIGHT : 3000g



JARO Part Number	Bearing System	Rated Voltage V	Rated Current A	Rated Speed RPM	Maximum Air Flow		Maximum Static Pressure		Sound Level dBA
					m ³ /h	CFM	mm-H ₂ O	In-H ₂ O	
JSD315G148LBBA01	BALL	48	8.8	2100	2847.94	1674.59	80.02	3.15	75.61



*All models can be customized. Please contact your JARO representative for further information.

*Specs are subject to change without notice. Please visit JARO website at <https://jarothermal.com> for update information.



DC CENTRIFUGAL FAN

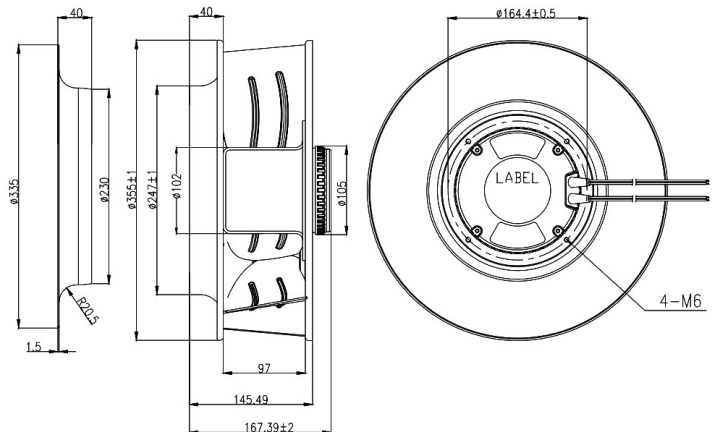
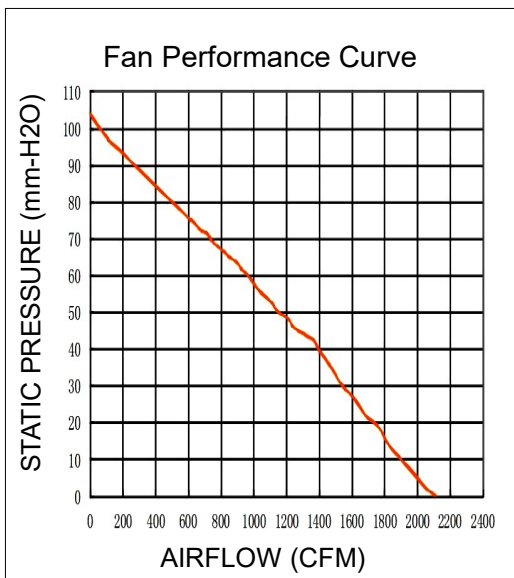


Φ355x167.4mm

- MOTOR : DC single phase brushless motor
- FRAME : Aluminum ; IMPELLER : Plastic(UL 94V-0)
- OPERATING TEMP.: -10°C~70°C
- STORAGE TEMP.: -40°C~75°C
- WEIGHT : 4000g



JARO Part Number	Bearing System	Rated Voltage V	Rated Current A	Rated Speed RPM	Maximum Air Flow		Maximum Static Pressure		Sound Level dBA
					m ³ /h	CFM	mm-H ₂ O	In-H ₂ O	
JSD355G748MBBA01	BALL	48	7.3	2000	2441.11	1435.37	104.09	4.10	70.0



*All models can be customized. Please contact your JARO representative for further information.

*Specs are subject to change without notice. Please visit JARO website at <https://jarothermal.com> for update information.



DC CENTRIFUGAL FAN

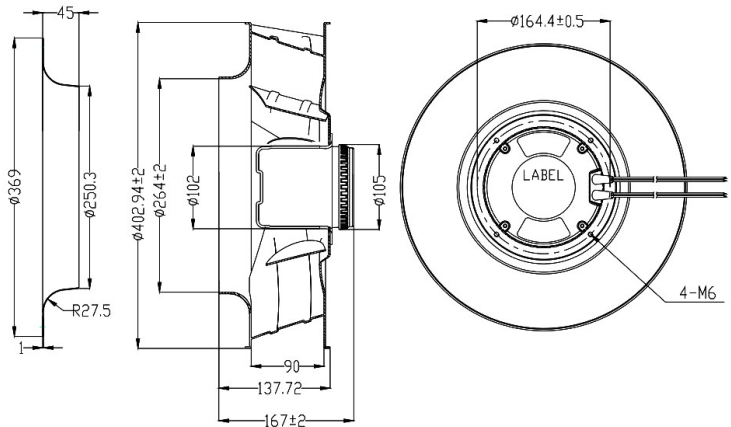
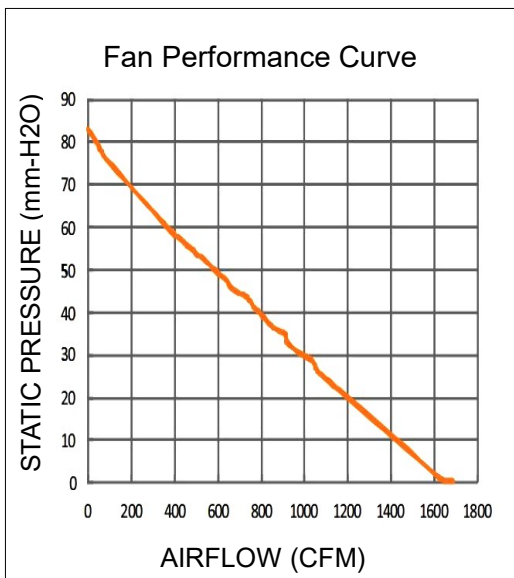


Φ403x167mm

- MOTOR : DC single phase brushless motor
- FRAME : Aluminum ; IMPELLER : Plastic(UL 94V-0)
- OPERATING TEMP.: -10°C~70°C
- STORAGE TEMP.: -40°C~75°C
- WEIGHT : 4500g



JARO Part Number	Bearing System	Rated Voltage V	Rated Current A	Rated Speed RPM	Maximum Air Flow		Maximum Static Pressure		Sound Level dBA
					m ³ /h	CFM	mm-H ₂ O	In-H ₂ O	
JSD403G748HBBA01	BALL	48	8.5	1500	2870.36	1687.77	83.00	3.24	65.88



*All models can be customized. Please contact your JARO representative for further information.

*Specs are subject to change without notice. Please visit JARO website at <https://jarothermal.com> for update information.