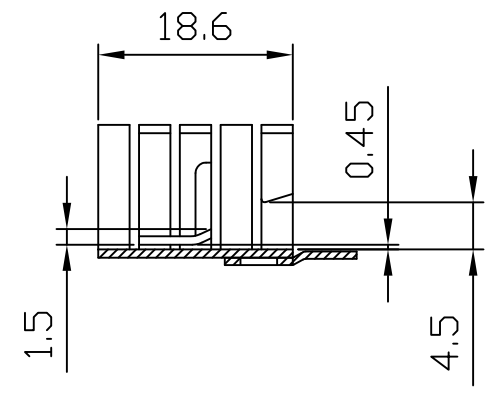
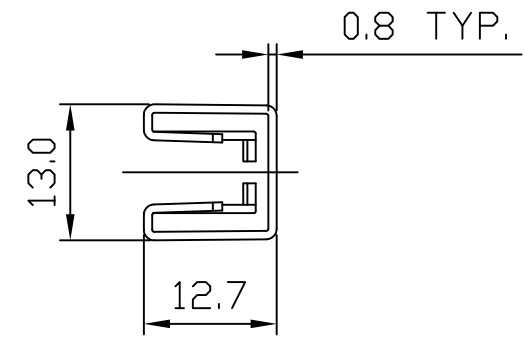
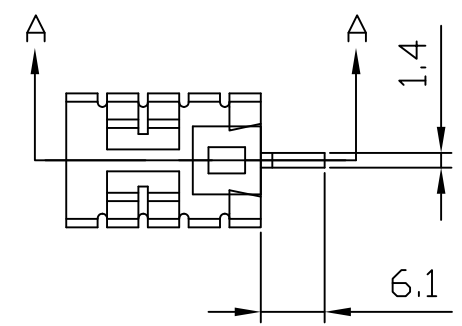


1 2 3 4 5 6

| REVISIONS | | | |
|-----------|-----------------|------------|----------|
| REV. | COMMENT | DATE | APPROVED |
| 0 | INITIAL RELEASE | 2023-04-21 | CHRIS |
| | | | |



SECTION A-A

- NOTES:
1. THIS DRAWING CONTAINS OVERALL DIMENSIONS ONLY.
REFER TO 3D CAD DATABASE FOR COMPLETE PART INFORMATION.
 2. PARTS TO BE CLEAN AND FREE OF CRACKS, FOREIGN MATTER.
NO OIL OR LUBRICANTS ON THE SURFACE.
 3. ALL DIMENSIONS SHOWN SHALL BE CHECKED AT FIRST ARTICLE INSPECTION.
 4. REMOVE ALL BURRS AND SHARP EDGES.
 5. FINISHED PRODUCT TO BE RoHS COMPLIANT.
 6. TOLERANCE: $\pm 0.50\text{mm}$

| DIMENSIONAL TOLERANCE | | |
|----------------------------|------------------------|--------|
| DECIMAL PLACES | MILLIMETERS | INCHES |
| . | - | - |
| .X | - | - |
| .XX | - | - |
| UNLESS OTHERWISE SPECIFIED | | |
| ANGULAR DIMENSIONS | THIRD ANGLE PROJECTION | |
| $\pm 1.0^\circ$ | | |
| SCALE | UNIT | SIZE |
| 1:1 | mm | A4 |

DRAWN
SIDNEY
CHECKED
CHRIS
APPROVED
CHRIS

TITLE
STAMPED HEAT SINK
MATERIAL
AL 5052
FINISH
BLACK ANODIZE
CUS. PART NO.
CUS. REV.
PART NO.
JBHAS2051
REV.
0

| | |
|--------|------------|
| SHEET | DATE |
| 1 OF 1 | 2023-04-21 |

1 2 3 4 5 6