

REVISIONS			
REV.	COMMENT	DATE	APPROVED
0	INITIAL RELEASE	2023-04-11	CHRIS

F

F

E

E

D

D

C

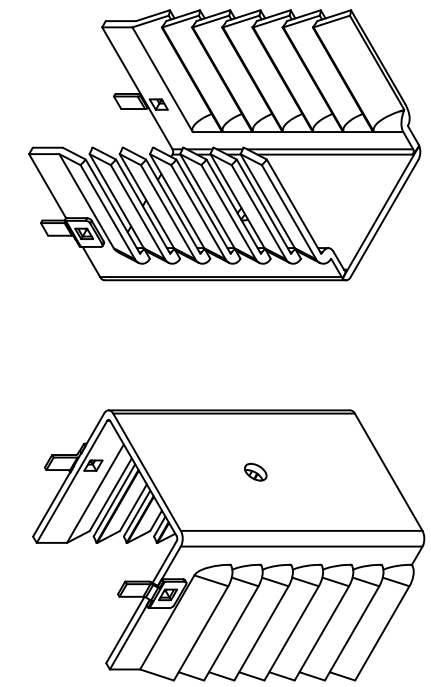
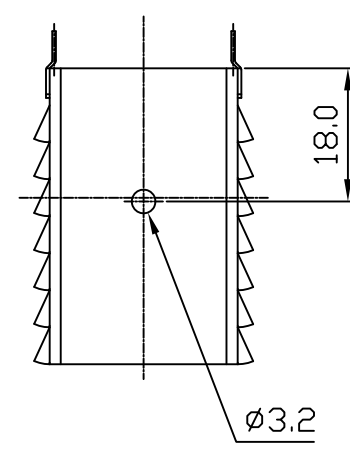
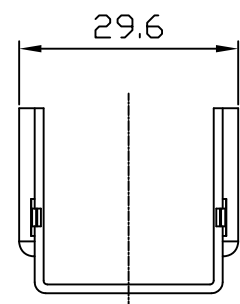
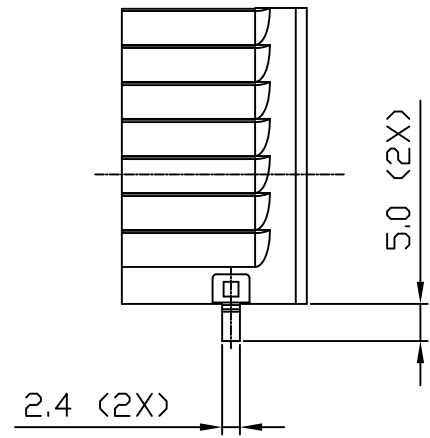
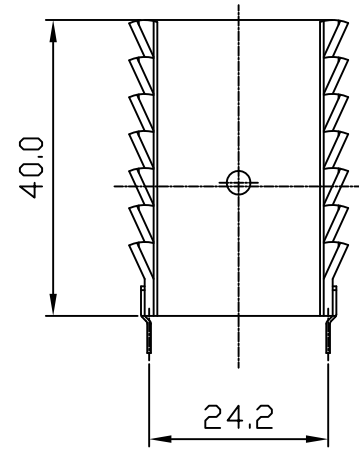
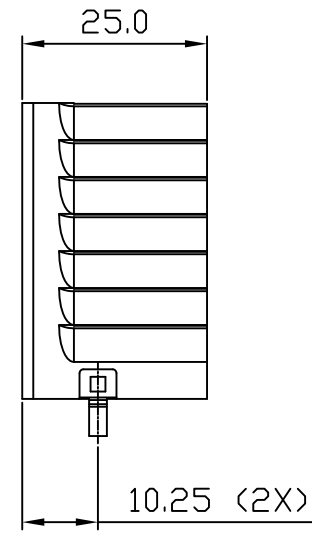
C

B

B

A

A



ISOMETRIC VIEW
SCALE 1:1

- NOTES:
- THIS DRAWING CONTAINS OVERALL DIMENSIONS ONLY. REFER TO 3D CAD DATABASE FOR COMPLETE PART INFORMATION.
 - PARTS TO BE CLEAN AND FREE OF CRACKS, FOREIGN MATTER. NO OIL OR LUBRICANTS ON THE SURFACE.
 - ALL DIMENSIONS SHOWN SHALL BE CHECKED AT FIRST ARTICLE INSPECTION.
 - REMOVE ALL BURRS AND SHARP EDGES.
 - FINISHED PRODUCT TO BE RoHS COMPLIANT.

DIMENSIONAL TOLERANCE			DRAWN	TITLE	JARO THERMAL	
DECIMAL PLACES	MILLIMETERS	INCHES				
.	± 0.50	-	SIDNEY	STAMPED HEAT SINK		AL 1050
.X	± 0.30	-		CHECKED	BLACK ANODIZE	
.XX	± 0.20	-	CHRIS		CUS. PART NO.	CUS. REV.
UNLESS OTHERWISE SPECIFIED				APPROVED	PART NO.	REV.
ANGULAR DIMENSIONS		THIRD ANGLE PROJECTION	CHRIS		JBHAS2531	0
SCALE	UNIT	SIZE				
1:1	mm	A3				