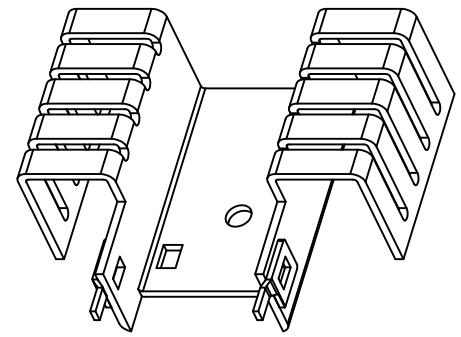
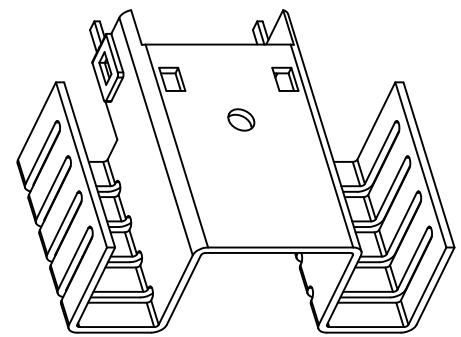
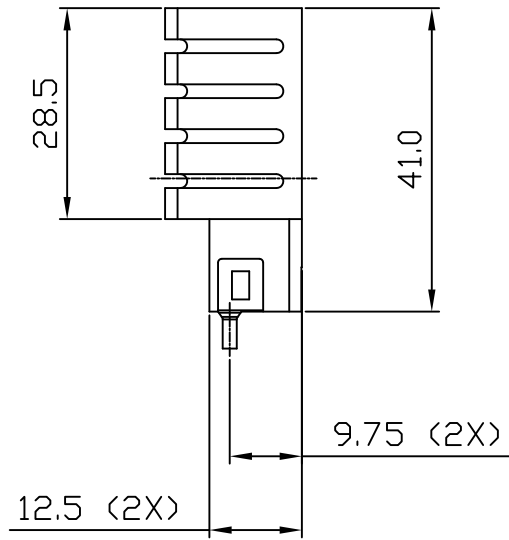
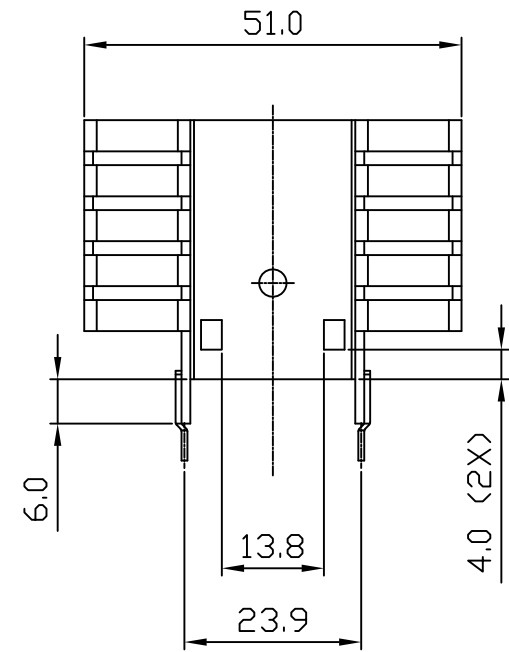
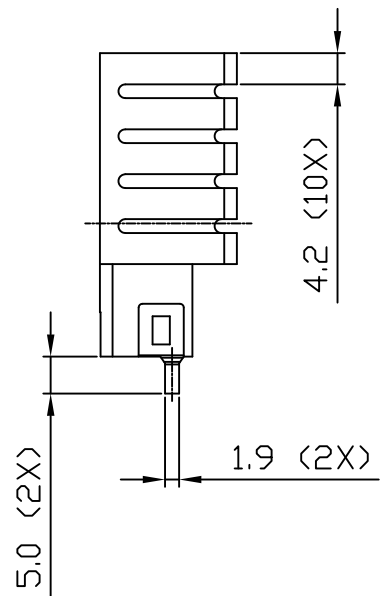
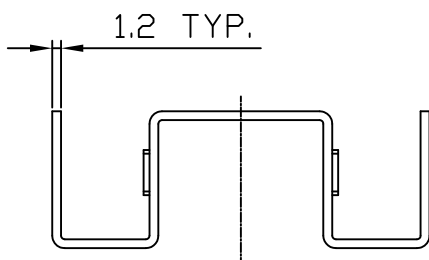


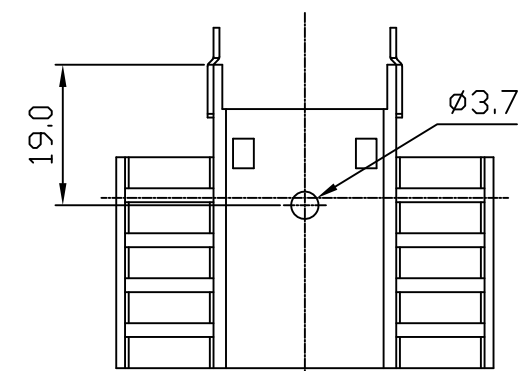
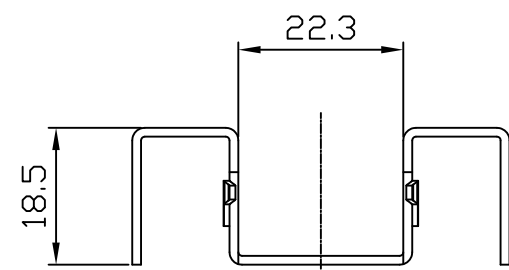
REVISIONS			
REV.	COMMENT	DATE	APPROVED
0	INITIAL RELEASE	2023-04-11	CHRIS

F  
E  
D  
C  
B  
A

F  
E  
D  
C  
B  
A



ISOMETRIC VIEW  
SCALE 1:1



- NOTES:
- THIS DRAWING CONTAINS OVERALL DIMENSIONS ONLY. REFER TO 3D CAD DATABASE FOR COMPLETE PART INFORMATION.
  - PARTS TO BE CLEAN AND FREE OF CRACKS, FOREIGN MATTER. NO OIL OR LUBRICANTS ON THE SURFACE.
  - ALL DIMENSIONS SHOWN SHALL BE CHECKED AT FIRST ARTICLE INSPECTION.
  - REMOVE ALL BURRS AND SHARP EDGES.
  - FINISHED PRODUCT TO BE RoHS COMPLIANT.

<table border="1"> <thead> <tr> <th colspan="3">DIMENSIONAL TOLERANCE</th> </tr> <tr> <th>DECIMAL PLACES</th> <th>MILLIMETERS</th> <th>INCHES</th> </tr> </thead> <tbody> <tr> <td>.</td> <td>± 0.50</td> <td>-</td> </tr> <tr> <td>.X</td> <td>± 0.30</td> <td>-</td> </tr> <tr> <td>.XX</td> <td>± 0.20</td> <td>-</td> </tr> </tbody> </table>			DIMENSIONAL TOLERANCE			DECIMAL PLACES	MILLIMETERS	INCHES	.	± 0.50	-	.X	± 0.30	-	.XX	± 0.20	-	<table border="1"> <tr> <td>DRAWN</td> <td>SIDNEY</td> </tr> <tr> <td>CHECKED</td> <td>CHRIS</td> </tr> <tr> <td>APPROVED</td> <td>CHRIS</td> </tr> </table>		DRAWN	SIDNEY	CHECKED	CHRIS	APPROVED	CHRIS	<table border="1"> <tr> <td>TITLE</td> <td colspan="3">STAMPED HEAT SINK</td> </tr> <tr> <td>MATERIAL</td> <td colspan="3">AL 1050</td> </tr> <tr> <td>FINISH</td> <td colspan="3">BLACK ANODIZE</td> </tr> <tr> <td>CUS. PART NO.</td> <td colspan="2"> </td> <td>CUS. REV.</td> </tr> <tr> <td>PART NO.</td> <td>JBHAS2522</td> <td>REV.</td> <td>0</td> </tr> </table>		TITLE	STAMPED HEAT SINK			MATERIAL	AL 1050			FINISH	BLACK ANODIZE			CUS. PART NO.			CUS. REV.	PART NO.	JBHAS2522	REV.	0	
DIMENSIONAL TOLERANCE																																																
DECIMAL PLACES	MILLIMETERS	INCHES																																														
.	± 0.50	-																																														
.X	± 0.30	-																																														
.XX	± 0.20	-																																														
DRAWN	SIDNEY																																															
CHECKED	CHRIS																																															
APPROVED	CHRIS																																															
TITLE	STAMPED HEAT SINK																																															
MATERIAL	AL 1050																																															
FINISH	BLACK ANODIZE																																															
CUS. PART NO.			CUS. REV.																																													
PART NO.	JBHAS2522	REV.	0																																													
<table border="1"> <thead> <tr> <th colspan="3">UNLESS OTHERWISE SPECIFIED</th> </tr> <tr> <th>ANGULAR DIMENSIONS</th> <th>THIRD ANGLE PROJECTION</th> <th> </th> </tr> </thead> <tbody> <tr> <td>± 1.0°</td> <td></td> <td> </td> </tr> </tbody> </table>			UNLESS OTHERWISE SPECIFIED			ANGULAR DIMENSIONS	THIRD ANGLE PROJECTION		± 1.0°			<table border="1"> <tr> <td>SHEET</td> <td>1 OF 1</td> <td>DATE</td> <td>2023-04-11</td> </tr> </table>		SHEET	1 OF 1	DATE	2023-04-11																															
UNLESS OTHERWISE SPECIFIED																																																
ANGULAR DIMENSIONS	THIRD ANGLE PROJECTION																																															
± 1.0°																																																
SHEET	1 OF 1	DATE	2023-04-11																																													
SCALE	UNIT	SIZE																																														
1:1	mm	A3																																														

1 2 3 4 5 6 7 8