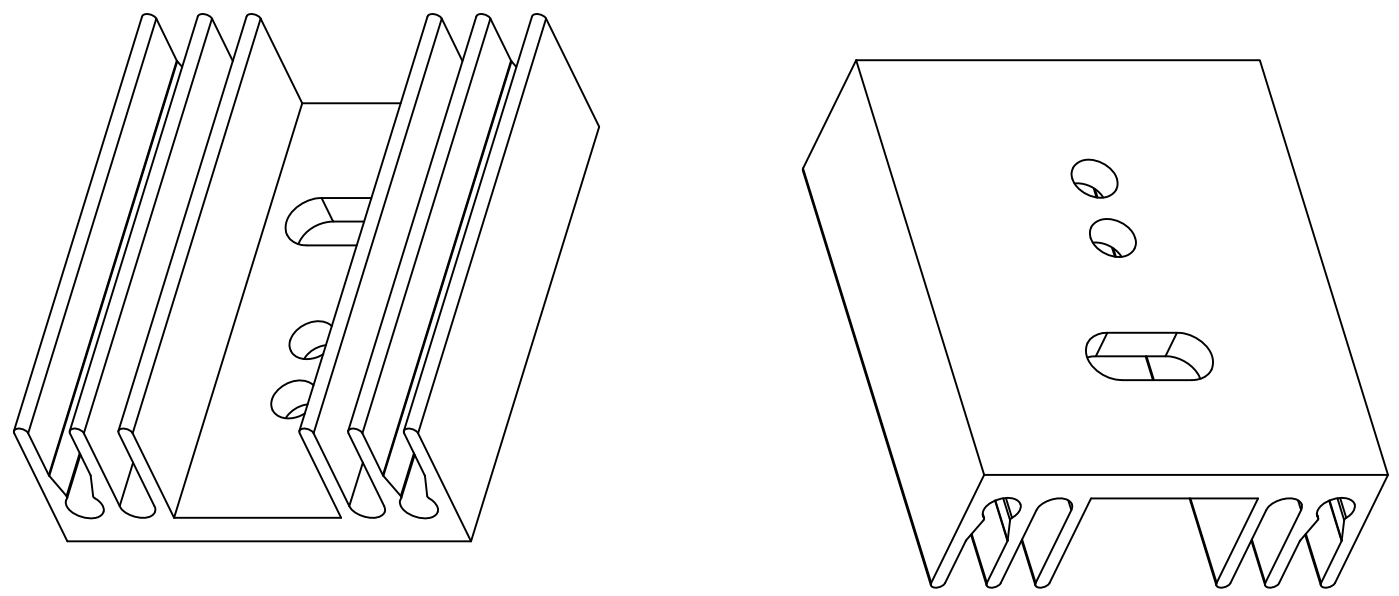
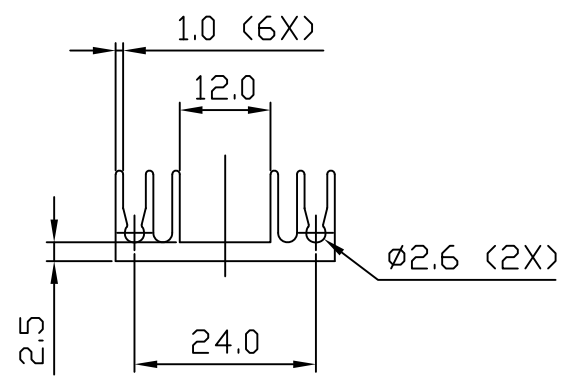
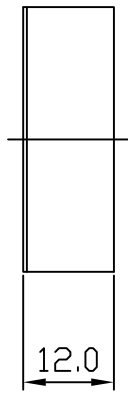
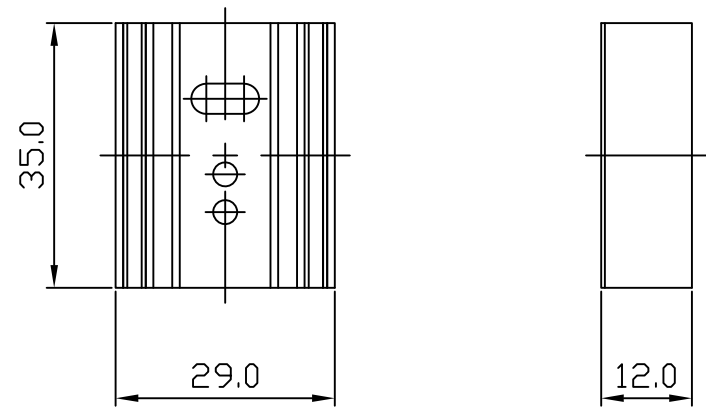
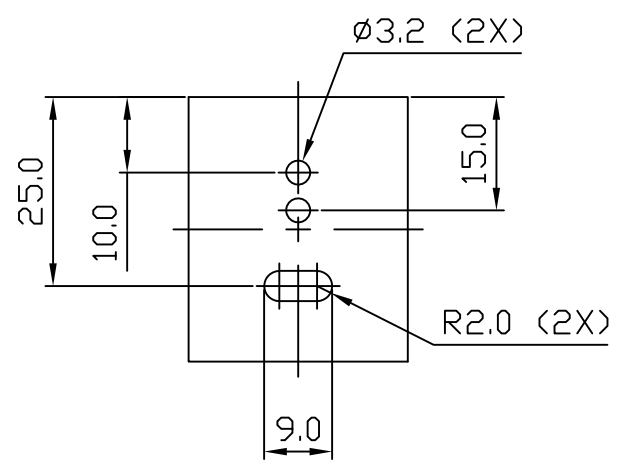



| REVISIONS | | | |
|-----------|-----------------|------------|----------|
| REV. | COMMENT | DATE | APPROVED |
| 0 | INITIAL RELEASE | 2023-09-07 | CHRIS |
| | | | |



ISOMETRIC VIEW
SCALE 2:1



- NOTES:
1. THIS DRAWING CONTAINS OVERALL DIMENSIONS ONLY.
REFER TO 3D CAD DATABASE FOR COMPLETE PART INFORMATION.
 2. PARTS TO BE CLEAN AND FREE OF CRACKS, FOREIGN MATTER,
NO OIL OR LUBRICANTS ON THE SURFACE.
 3. ALL DIMENSIONS SHOWN SHALL BE CHECKED AT FIRST ARTICLE INSPECTION.
 4. REMOVE ALL BURRS AND SHARP EDGES.
 5. FINISHED PRODUCT TO BE RoHS COMPLIANT.
 6. TOLERANCE: $\pm 0.30\text{mm}$

| | | | | | | |
|----------------------------|------------------------|------------|-------------------|---|-----------------|---|
| DIMENSIONAL TOLERANCE | | | DRAWN SIDNEY | TITLE EXTRUDED PC MOUNT HEAT SINK | |  |
| DECIMAL PLACES | MILLIMETERS | INCHES | | MATERIAL AL 6063-T5 | | |
| .X | - | - | CHECKED CHRIS | FINISH BLACK ANODIZE | | |
| .XX | - | - | | CUS. PART NO. | | |
| UNLESS OTHERWISE SPECIFIED | | | APPROVED CHRIS | CUS. REV. | | |
| ANGULAR DIMENSIONS | THIRD ANGLE PROJECTION | | | PART NO. JBHAE2510 | | |
| $\pm 1.0^\circ$ | | | REV. 0 | | SHEET 1 OF 1 | DATE 2023-09-07 |
| SCALE 1:1 | UNIT mm | SIZE A3 | | | | |