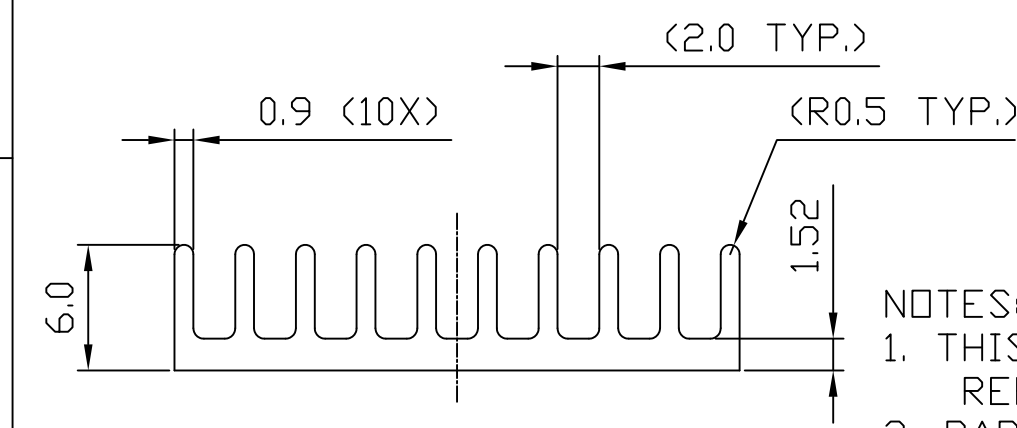
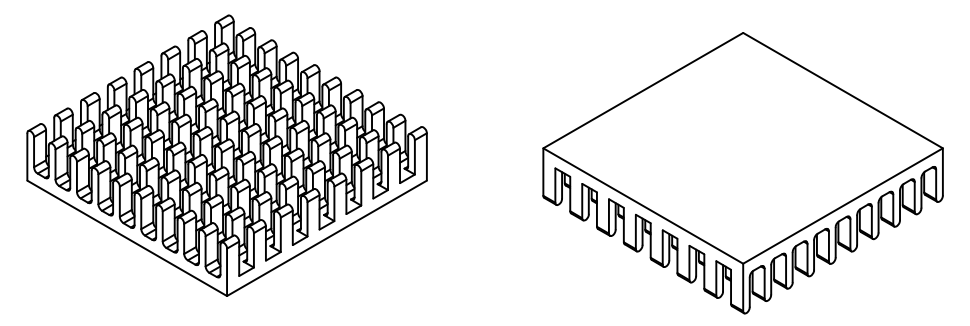
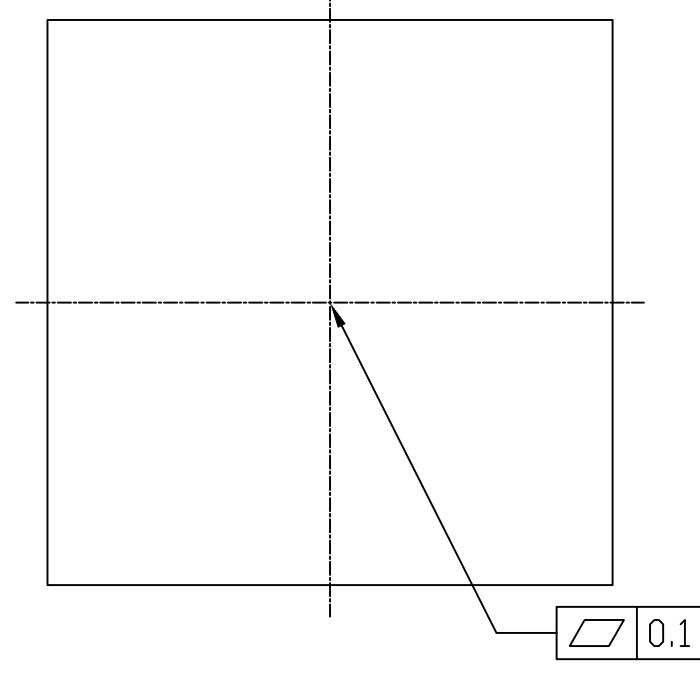


| REVISIONS | | | |
|-----------|-----------------|------------|----------|
| REV. | COMMENT | DATE | APPROVED |
| 0 | INITIAL RELEASE | 2023-06-06 | CHRIS |
| | | | |



- NOTES:
1. THIS DRAWING CONTAINS OVERALL DIMENSIONS ONLY. REFER TO 3D CAD DATABASE FOR COMPLETE PART INFORMATION.
 2. PARTS TO BE CLEAN AND FREE OF CRACKS, FOREIGN MATTER. NO OIL OR LUBRICANTS ON THE SURFACE.
 3. ALL DIMENSIONS SHOWN SHALL BE CHECKED AT FIRST ARTICLE INSPECTION.
 4. REMOVE ALL BURRS AND SHARP EDGES.
 5. FINISHED PRODUCT TO BE RoHS COMPLIANT.
 6. TOLERANCE: $\pm 0.30\text{mm}$



| DIMENSIONAL TOLERANCE | | |
|----------------------------|------------------------|--------|
| DECIMAL PLACES | MILLIMETERS | INCHES |
| . | - | - |
| .X | - | - |
| .XX | - | - |
| UNLESS OTHERWISE SPECIFIED | | |
| ANGULAR DIMENSIONS | THIRD ANGLE PROJECTION | |
| $\pm 1.0^\circ$ | | |
| SCALE | UNIT | SIZE |
| 2:1 | mm | A4 |

| | | |
|-----------------------|-------------------------|-----------|
| DRAWN SIDNEY | TITLE BGA HEAT SINK | |
| | MATERIAL AL 6063-T5 | |
| CHECKED CHRIS | FINISH BLACK ANODIZE | |
| | CUS. PART NO. | CUS. REV. |
| APPROVED CHRIS | PART NO. | REV. |
| | JBHAE2701 | 0 |

JARO THERMAL

| | |
|--------|------------|
| SHEET | DATE |
| 1 OF 1 | 2023-06-06 |