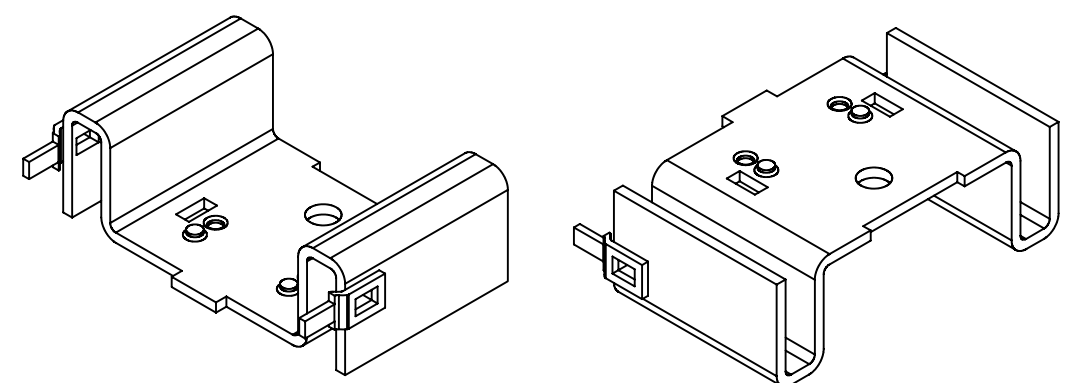
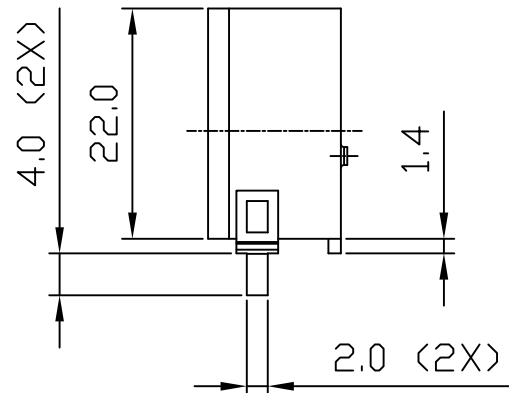
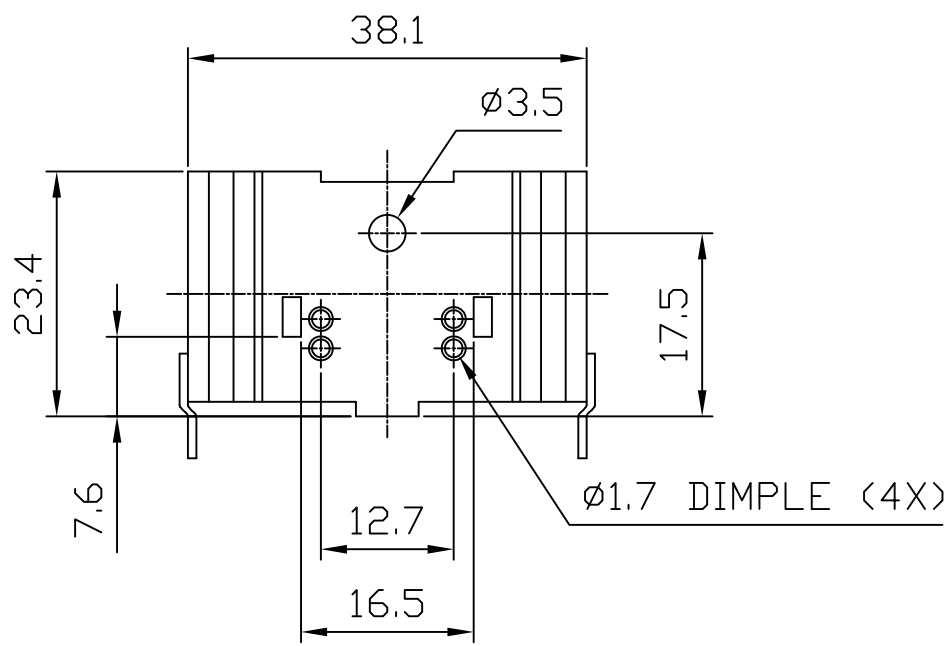
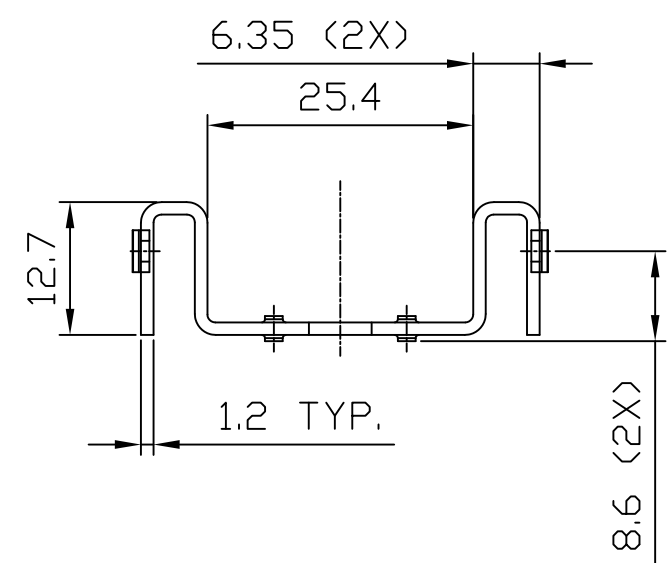



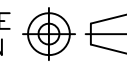
REVISIONS			
REV.	COMMENT	DATE	APPROVED
0	INITIAL RELEASE	2023-03-22	CHRIS



ISOMETRIC VIEW
SCALE 1:1



- NOTES:
1. THIS DRAWING CONTAINS OVERALL DIMENSIONS ONLY. REFER TO 3D CAD DATABASE FOR COMPLETE PART INFORMATION.
 2. PARTS TO BE CLEAN AND FREE OF CRACKS, FOREIGN MATTER. NO OIL OR LUBRICANTS ON THE SURFACE.
 3. ALL DIMENSIONS SHOWN SHALL BE CHECKED AT FIRST ARTICLE INSPECTION.
 4. REMOVE ALL BURRS AND SHARP EDGES.
 5. FINISHED PRODUCT TO BE RoHS COMPLIANT.
 6. TOLERANCE: $\pm 0.50\text{mm}$

DIMENSIONAL TOLERANCE			DRAWN SIDNEY	TITLE			
DECIMAL PLACES	MILLIMETERS	INCHES		STAMPED HEAT SINK			
.	-	-		CHECKED CHRIS	MATERIAL AL 1050		
.X	-	-			FINISH BLACK ANODIZE		
.XX	-	-	CUS. PART NO. CUS. REV.				
UNLESS OTHERWISE SPECIFIED			APPROVED CHRIS	PART NO. REV.		SHEET DATE	
ANGULAR DIMENSIONS $\pm 1.0^\circ$		THIRD ANGLE PROJECTION 		JBHAS1401 0			1 OF 1 2023-03-22
SCALE	UNIT	SIZE					
1:1	mm	A4					