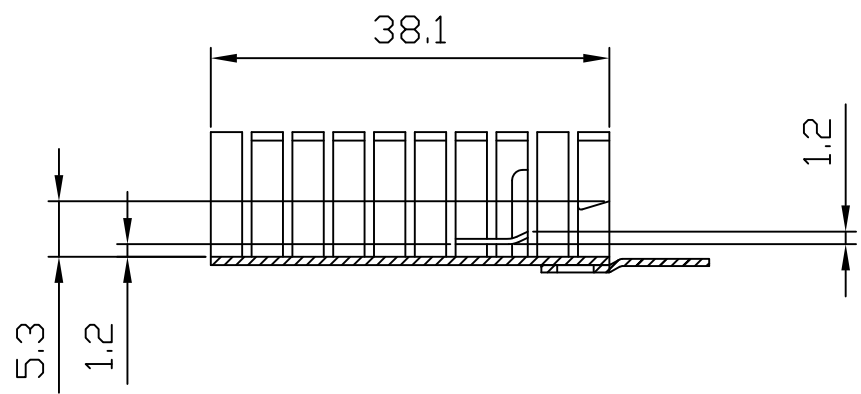
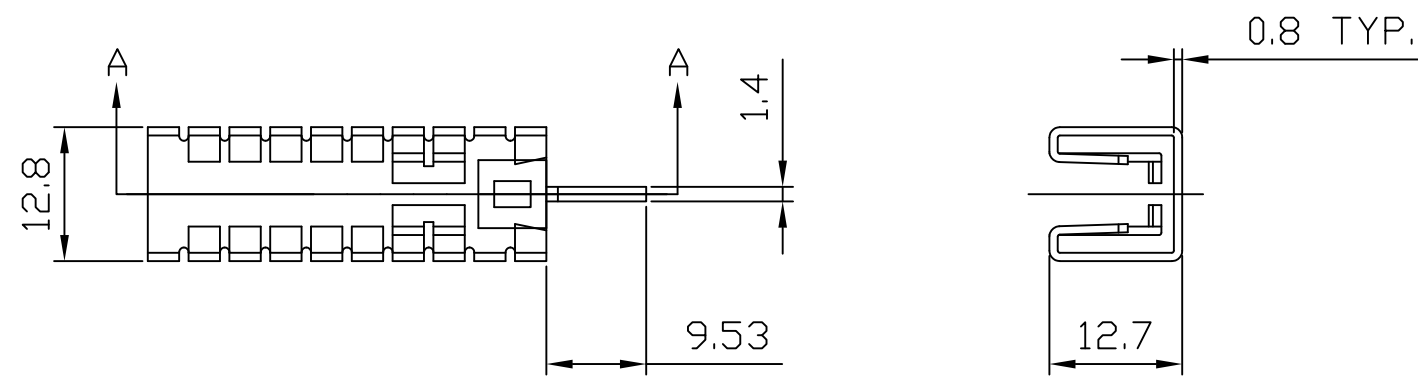


1 2 3 4 5 6


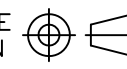
REVISIONS			
REV.	COMMENT	DATE	APPROVED
0	INITIAL RELEASE	2023-03-07	CHRIS



SECTION A-A

NOTES:

1. THIS DRAWING CONTAINS OVERALL DIMENSIONS ONLY.
REFER TO 3D CAD DATABASE FOR COMPLETE PART INFORMATION.
2. PARTS TO BE CLEAN AND FREE OF CRACKS, FOREIGN MATTER.
NO OIL OR LUBRICANTS ON THE SURFACE.
3. ALL DIMENSIONS SHOWN SHALL BE CHECKED AT FIRST ARTICLE INSPECTION.
4. REMOVE ALL BURRS AND SHARP EDGES.
5. FINISHED PRODUCT TO BE RoHS COMPLIANT.
6. TOLERANCE: $\pm 0.50\text{mm}$

DIMENSIONAL TOLERANCE			DRAWN	TITLE				
DECIMAL PLACES	MILLIMETERS	INCHES						
.	-	-	SIDNEY	STAMPED HEAT SINK			MATERIAL	
.X	-	-					AL 5052	
.XX	-	-			FINISH			
UNLESS OTHERWISE SPECIFIED			CHECKED	BLACK ANODIZE		CUS. PART NO.	CUS. REV.	
ANGULAR DIMENSIONS		THIRD ANGLE PROJECTION 		CHRIS	PART NO.			
$\pm 1.0^\circ$			SCALE		APPROVED	REV.		SHEET
1:1	UNIT	SIZE		PART NO.		REV.	SHEET	
1:1	mm	A4	CHRIS	JBHAS0045	0	1 OF 1	2023-03-07	

1 2 3 4 5 6

D

C

B

A

D

C

B

A