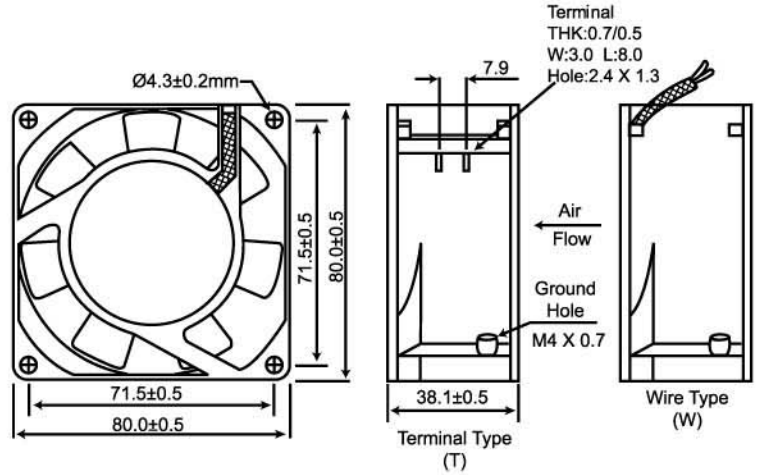


### External Dimensions



Frame: Die-Cast Aluminum  
 Impeller: Plastic (UL:94V-0)  
 Bearing: Ball bearing  
 Lead Wire type or terminal type  
 Voltage Available: 110V or 220V



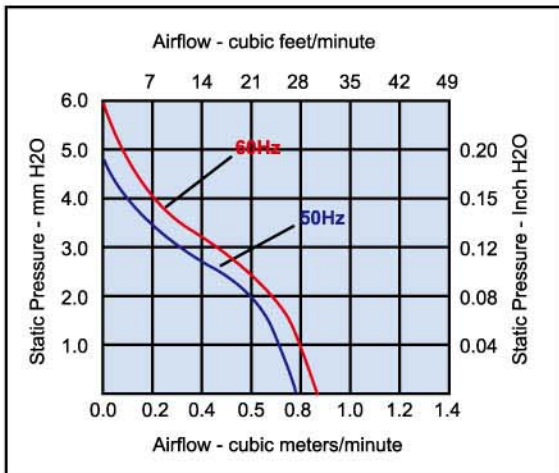
Noise is measured at the distance of one (1) meter from the axis of intake.

Bearing type: ⊕=Ball \* =Sleeve ○=1B1S ●=Hydraulic Bearing

### Specifications(Nominal)

Frame size (mm)	JARO Model No.	Rated Volt. (V)	Bearing System Type	Volt. (V)	Freq. (Hz)	Current (A)	Power (W)	Rated Speed (rpm)	Maximum AirFlow (CMM)	(CFM)	Maximum Pressure (InAq)	(mmAq)	Noise Level (dB/A)
80x80x38	JK08038HAP-110(0BAT)	110	⊕	70-110	50/60	0.131/0.115	12.0/10.1	2700/3250	0.74/0.88	26/31	4.3/6.0	0.17/0.24	29±2
		115	⊕	80-130									
80x80x38	JK08038MAP-110(0BAT)	110	⊕	70-110	50/60	0.058/0.054	6.2/5.6	2250/2550	0.62/0.65	22/23	3.5/3.8	0.14/0.15	22±2
		115	⊕	80-130									
80x80x38	JK08038HAP-220(0BAT)	220	⊕	150-210	50/60	0.055/0.049	10.3/8.9	2700/3250	0.74/0.88	26/31	4.3/6.0	0.17/0.24	29±2
		240	⊕	160-260									
80x80x38	JK08038MAP-220(0BAT)	220	⊕	150-210	50/60	0.023/0.021	4.9/4.6	2450/2700	0.62/0.65	22/23	3.5/3.8	0.14/0.15	22±2
		240	⊕	160-260									
80x80x38	JK08038LAP-220(0BAT)	220	⊕	150-210	50/60	0.016/0.014	3.3/3.1	2200/2200	0.51/0.48	18/17	3.0/2.5	0.12/0.10	18±2
		240	⊕	160-260									

" PQ curve below is for "H" speed, for all other speeds please contact your JARO representative. "



	0	1	2	3
Impedance		By IC	RD	FG
	6	9	B	F
Impedance +FG		PWM	PWM+FG	PWM+RD

• Motor protective circuit and third lead wire functions

✓	✓		✓	✓

• Safety approvals