



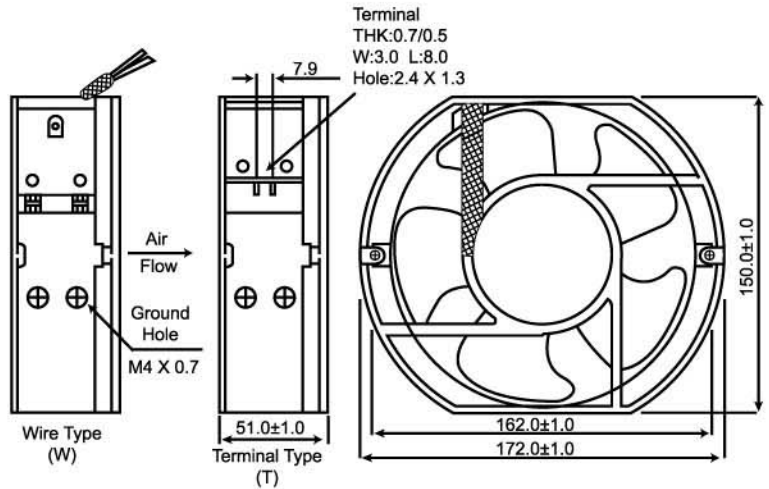
JK17251 SERIES

AC FANS



Frame: Die-Cast Aluminum
 Impeller: Plastic (UL:94V-0)
 Bearing: Ball bearing
 Lead wire type or terminal type
 Voltage Available: 110V or 220V

External Dimensions



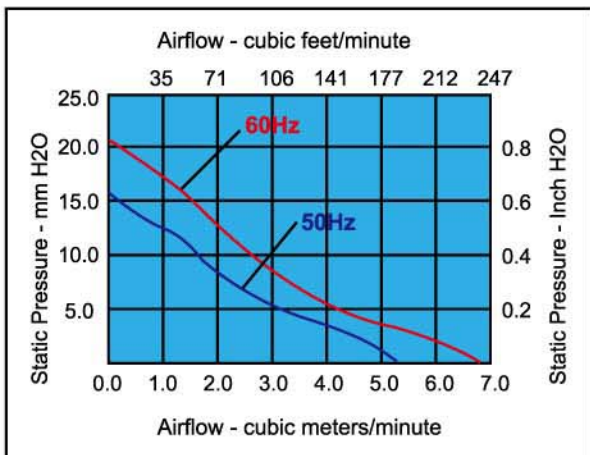
Noise is measured at the distance of one (1) meter from the axis of intake.

Bearing type: ⊙=Ball * =Sleeve ○=1B1S ●=Hydraulic Bearing

Specifications(Nominal)

Frame size (mm)	JARO Model No.	Rated (V)	Bearing System Type	Volt. (V)	Freq. (Hz)	Current (A)	Power (W)	Rated Speed (rpm)	Maximum AirFlow (CMM) (CFM)	Maximum Pressure (InAq) (mmAq)	Noise Level (dB/A)
172x150x51	JK17251HAP-110(0BAT)	110 115	⊙	70-110 80-130	50/60	0.224/0.245	26.7/29.7	2800/3200	5.4/6.6 190/235	16/20 0.63/0.79	50±2
172x150x51	JK17251MAP-110(0BAT)	110 115	⊙	70-110 80-130	50/60	0.146/0.188	16.1/21	2550/2400	4.7/4.8 165/170	13/14 0.51/0.55	40±2
172x150x51	JK17251LAP-110(0BAT)	110 115	⊙	80-120 80-130	50/60	0.173/0.148	19.8/18.2	1450/1750	3.1/3.0 110/106	10/8 0.40/0.31	32±2
172x150x51	JK17251HAP-220(0BAT)	200 220 240	⊙	150-210 150-240 160-260	50/60	0.108/0.129	26.7/31.2	2800/3200	5.4/6.6 190/235	16/20 0.63/0.79	50±2
172x150x51	JK17251MAP-220(0BAT)	200 220 240	⊙	150-210 150-240 160-260	50/60	0.081/0.103	17.9/22.8	2550/2300	4.7/4.8 165/170	13/14 0.51/0.55	40±2
172x150x51	JK17251LAP-220(0BAT)	200 220 240	⊙	150-210 150-240 160-260	50/60	0.073/0.067	17.9/17.1	1450/1750	3.1/3.0 110/106	10/8 0.40/0.31	32±2

" PQ curve below is for "H" speed, for all other speeds please contact your JARO representative. "



	0	1	2	3
Impedance		By IC	RD	FG
	6	9	B	F
Impedance +FG		PWM	PWM+FG	PWM+RD

• Motor protective circuit and third lead wire functions

✓	✓		✓	✓

• Safety approvals