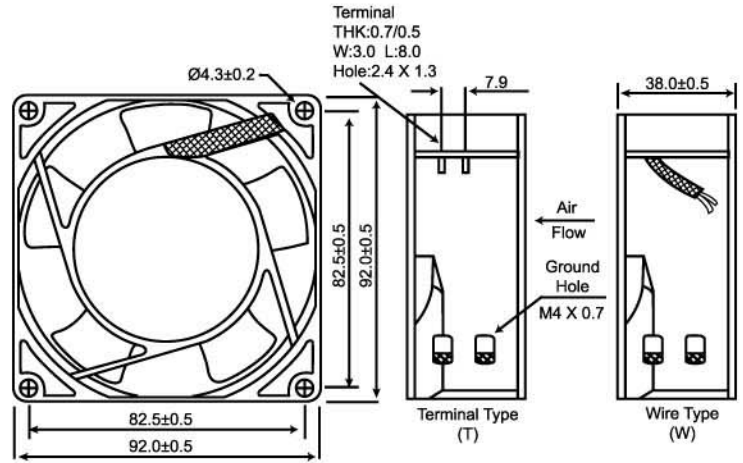




Frame: Die-Cast Aluminum
 Impeller: Plastic (UL:94V-0)
 Bearing: Ball bearing
 Lead wire type or terminal type
 Voltage Available: 110V or 220V

External Dimensions



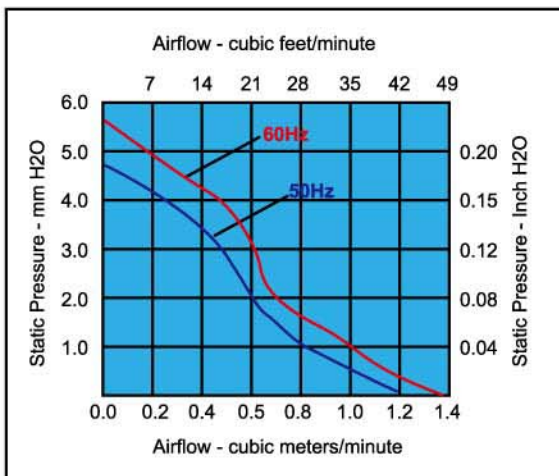
Noise is measured at the distance of one (1) meter from the axis of intake.

Bearing type: ⊙=Ball ※=Sleeve ○=1B1S ●=Hydraulic Bearing

Specifications(Nominal)

Frame size (mm)	JARO Model No.	Rated (V)	Bearing System Type	Volt. (V)	Freq. (Hz)	Current (A)	Power (W)	Rated Speed (rpm)	Maximum AirFlow (CMM)	Maximum AirFlow (CFM)	Maximum Pressure (InAq)	Maximum Pressure (mmAq)	Noise Level (dB/A)
92x92x38	JK09238HAP-110(0BAT)	110 115	⊙	70-110 80-130	50/60	0.144/0.128	12.8/11.3	2700/3200	1.19/1.42	42/50	4.5/5.5	0.18/0.22	32±2
92x92x38	JK09238MAP-110(0BAT)	110 115	⊙	70-110 80-130	50/60	0.063/0.060	5.8/5.6	2400/2550	0.79/0.91	28/32	3.5/4.2	0.14/0.17	23±2
92x92x38	JK09238LAP-110(0BAT)	110 115	⊙	80-120 80-130	50/60	0.046/0.045	4.4/4.3	2200/1950	0.71/0.59	25/21	3.2/2.5	0.12/0.10	19±2
92x92x38	JK09238HAP-220(0BAT)	200 220 240	⊙	150-210 150-240 160-260	50/60	0.068/0.060	12.7/11.1	2600/3050	1.19/1.42	42/50	4.5/5.5	0.18/0.22	32±2
92x92x38	JK09238MAP-220(0BAT)	200 220 240	⊙	150-210 150-240 160-260	50/60	0.033/0.031	6.8/6.4	2400/2550	0.79/0.91	28/32	3.5/4.2	0.14/0.17	23±2

" PQ curve below is for "H" speed, for all other speeds please contact your JARO representative. "



	0	1	2	3
Impedance		By IC	RD	FG
	6	9	B	F
Impedance +FG		PWM	PWM+FG	PWM+RD

•Motor protective circuit and third lead wire functions

✓	✓		✓	✓

•Safety approvals