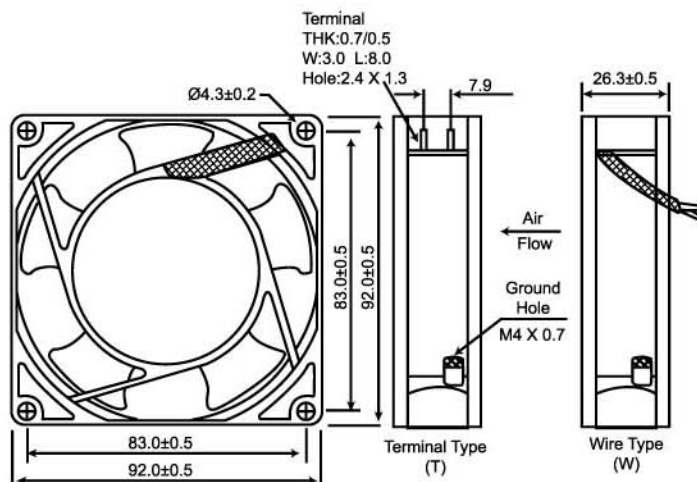




External Dimensions



Frame: Die-Cast Aluminum
 Impeller: Plastic (UL:94V-0)
 Bearing: Ball bearing
 Lead wire type or terminal type
 Voltage Available: 110V or 220V



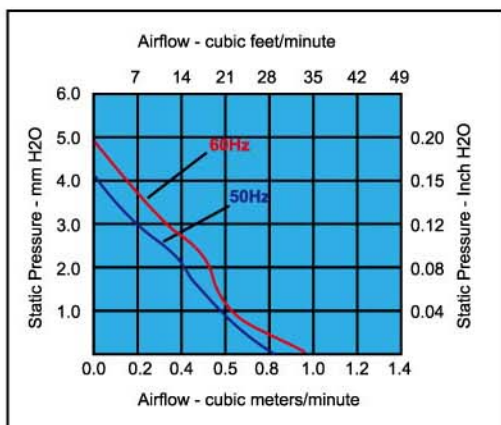
Noise is measured at the distance of one (1) meter from the axis and intake.

Bearing type: ⊙=Ball ⊛=Sleeve ○=1B1S ●=Hydraulic Bearing

Specifications(Nominal)

| Frame size (mm) | JARO Model No. | Rated (V) | Bearing System Type | Volt. (V) | Freq. (Hz) | Current (A) | Power (W) | Rated Speed (rpm) | Maximum AirFlow (CMM) (CFM) | Maximum Pressure (InAq) (mmAq) | Noise Level (dB/A) |
|-----------------|----------------------|-------------------|---------------------|-------------------------------|------------|-------------|-----------|-------------------|-----------------------------|--------------------------------|--------------------|
| 92x92x25 | JK09225HAP-110(0BAT) | 110 115 | ⊙ | 70-110 80-130 | 50/60 | 0.177/0.154 | 17.8/15 | 2400/3000 | 0.85/0.99 30/35 | 4.5/5.5 0.16/0.20 | 30±2 |
| 92x92x25 | JK09225MAP-110(0BAT) | 110 115 | ⊙ | 70-110 80-130 | 50/60 | 0.072/0.071 | 8.3/7.9 | 2100/2300 | 0.71/0.77 25/27 | 3.2/3.5 0.13/0.14 | 22±2 |
| 92x92x25 | JK09225LAP-110(0BAT) | 110 115 | ⊙ | 80-110 80-130 | 50/60 | 0.051/0.050 | 6/5.9 | 1700/1750 | 0.62/0.60 22/21 | 2.5/2.3 0.10/0.09 | 19±2 |
| 92x92x25 | JK09225HAP-220(0BAT) | 200 220 240 | ⊙ | 150-210 150-240 160-260 | 50/60 | 0.071/0.063 | 14.9/12.8 | 2400/2900 | 0.85/0.99 30/35 | 4.0/5.0 0.16/0.20 | 30±2 |
| 92x92x25 | JK09225MAP-220(0BAT) | 200 220 240 | ⊙ | 150-210 150-240 160-260 | 50/60 | 0.033/0.031 | 7.5/7.0 | 2100/2350 | 0.71/0.77 25/27 | 3.2/3.5 0.13/0.14 | 22±2 |
| 92x92x25 | JK09225LAP-220(0BAT) | 200 220 240 | ⊙ | 150-210 150-240 160-260 | 50/60 | 0.030/0.027 | 6.8/6.0 | 1650/1850 | 0.62/0.60 22/21 | 2.5/2.3 0.10/0.09 | 19±2 |

" PQ curve below is for "H" speed, for all other speeds please contact your JARO representative. "



| | | | |
|-----------|-------|----|----|
| 0 | 1 | 2 | 3 |
| Impedance | By IC | RD | FG |

| | | | |
|---------------|-----|--------|--------|
| 6 | 9 | B | F |
| Impedance +FG | PWM | PWM+FG | PWM+RD |

•Motor protective circuit and third lead wire functions

| | | | | |
|---|---|--|---|---|
| | | | | |
| ✓ | ✓ | | ✓ | ✓ |

•Safety approvals