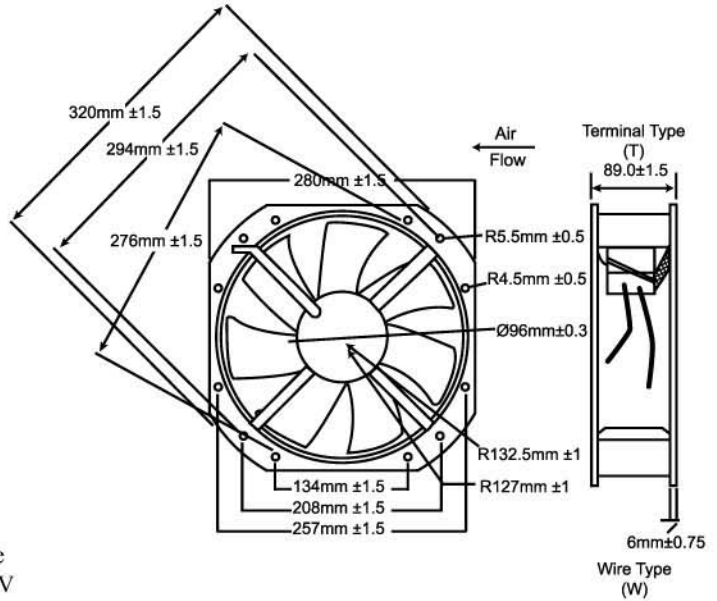




Frame: Die-Cast Aluminum  
 Impeller: Plastic (UL:94V-0)  
 Bearing: Ball bearing  
 Lead wire type or terminal type  
 Voltage Available: 110V or 220V

**External Dimensions**

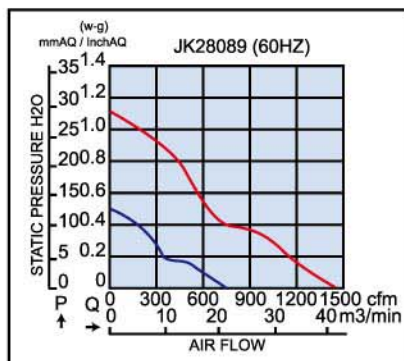
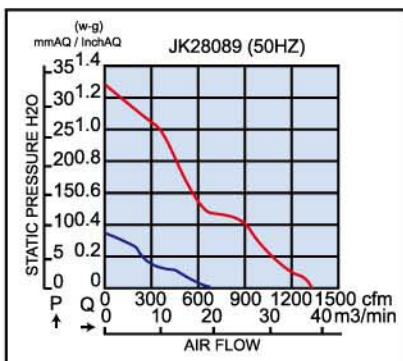


Noise is measured at the distance of one (1) meter from the axis of intake.

Bearing type: ●=Ball ※=Sleeve ○=1B1S ●=Hydraulic Bearing

**Specifications(Nominal)**

Frame size (mm)	JARO Model No.	Rated (V)	Bearing System Type	Volt. (V)	Freq. (Hz)	Current (A)	Power (W)	Rated Speed (rpm)	Maximum AirFlow (CMM) (CFM)	Maximum Pressure (InAq) (mmAq)	Noise Level (dB/A)
280x280x89	JK28089HAP-110(0BAT)	110 115	●	70-110 80-130	50/60	1.65/2.5	181/286	2800/3200	237.4/41.0 1320/1450	237.4/41.0 1320/1450	72±2
280x280x89	JK28089MAP-110(0BAT)	110 115	●	70-110 80-130	50/60	0.81/0.65	58/55	1500/1700	18.7/21.2 660/750	18.7/21.2 660/750	49±2
280x280x89	JK28089HAP-220(0BAT)	200 220 240	●	150-210 150-240 160-260	50/60	0.74/1.18	181/286	2800/3200	37.4/41.0 1320/1450	37.4/41.0 1320/1450	72±2
280x280x89	JK28089MAP-220(0BAT)	200 220 240	●	150-210 150-240 160-260	50/60	0.34/0.27	58/55	1500/1700	18.7/21.2 660/750	18.7/21.2 660/750	49±2



	0	1	2	3
Impedance		By IC	RD	FG
	6	9	B	F
Impedance +FG		PWM	PWM+FG	PWM+RD

● Motor protective circuit and third lead wire functions

✓	✓		✓	✓

● Safety approvals