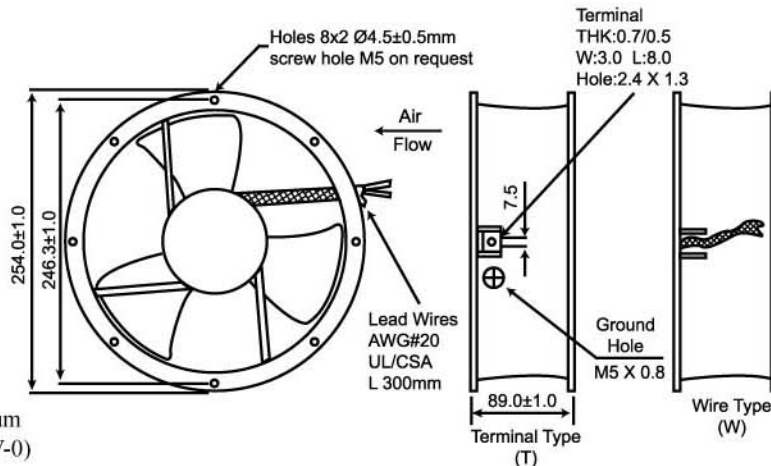




External Dimensions



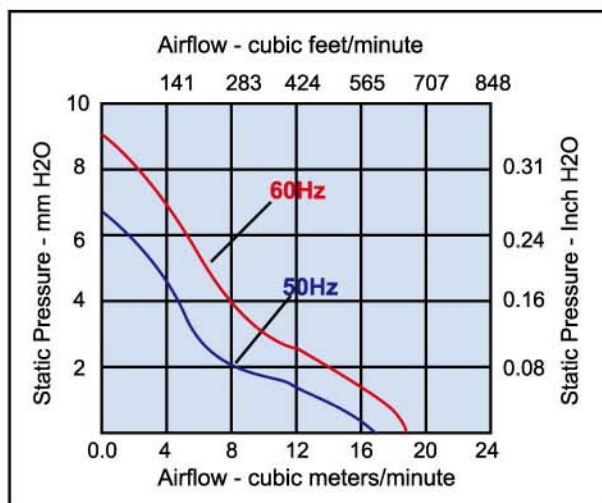
Frame: Die-Cast Aluminum
 Impeller: Plastic (UL:94V-0)
 Bearing: Ball bearing
 Lead wire type or terminal type
 Voltage Available: 110V or 220V

Noise is measured at the distance of one (1) meter from the axis of intake.

Bearing type: ⊙=Ball ⊛=Sleeve ○=1B1S ●=Hydraulic Bearing

Specifications(Nominal)

Frame size (mm)	JARO Model No.	Rated (V)	Bearing System Type	Volt. (V)	Freq. (Hz)	Current (A)	Power (W)	Rated Speed (rpm)	Maximum AirFlow (CMM) (CFM)	Maximum Pressure (InAq) (mmAq)	Noise Level (dB/A)
254x89	JK25489HAP-110(0BAT)	110 115	⊙	70-110 80-130	50/60	0.579/0.673	69/79.5	2100/1800	20.2/17.8 700/630	8.7/7.9 0.35/0.31	56±2
254x89	JK25489MAP-110(0BAT)	110 115	⊙	70-110 80-130	50/60	0.219/0.232	24.3/28.1	1400/1600	12.7/14.9 450/520	6.6/7.9 0.27/0.31	51±2
254x89	JK25489HAP-220(0BAT)	200 220 240	⊙	150-210 150-240 160-260	50/60	0.259/0.296	63.2/72.2	2100/1800	20.2/17.8 700/630	8.7/7.9 0.35/0.31	58±2
254x89	JK25489MAP-220(0BAT)	200 220 240	⊙	150-210 150-240 160-260	50/60	0.136/0.122	28.4/29.3	1400/1600	12.7/14.9 450/520	6.6/7.9 0.27/0.31	51±2



	0	1	2	3
Impedance		By IC	RD	FG
	6	9	B	F
Impedance +FG		PWM	PWM+FG	PWM+RD

•Motor protective circuit and third lead wire functions

✓	✓		✓	✓

•Safety approvals